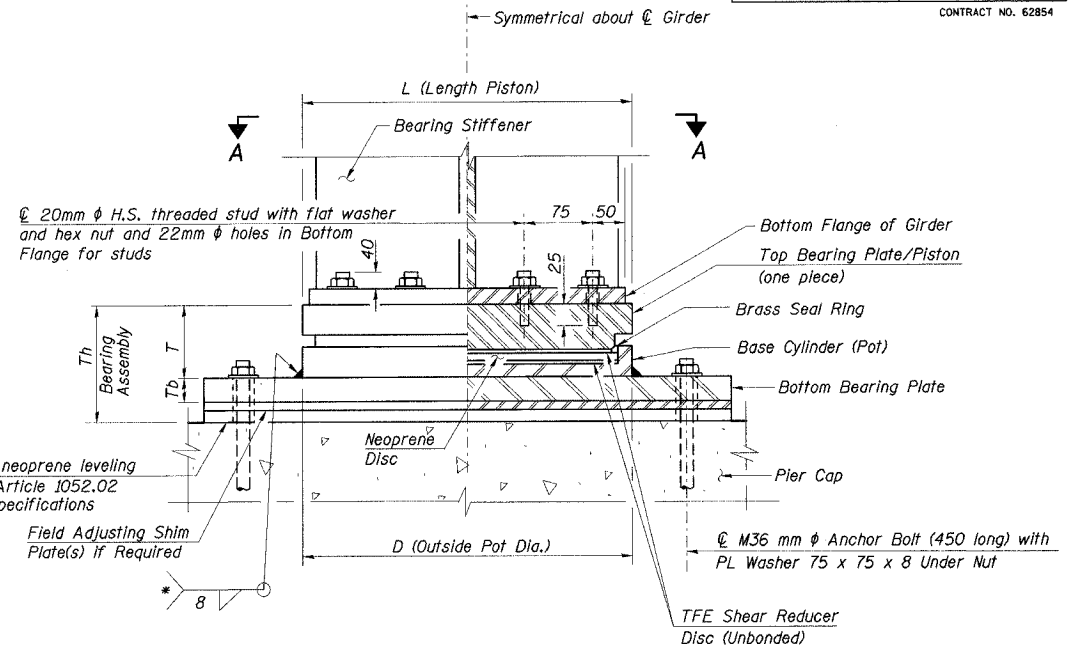
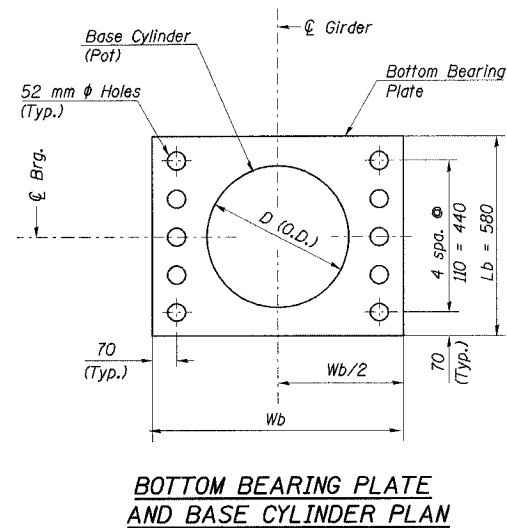
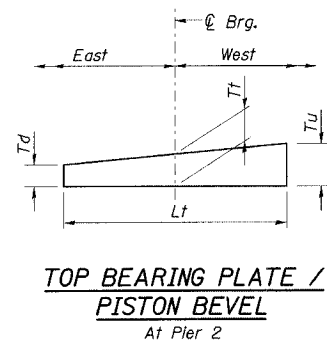
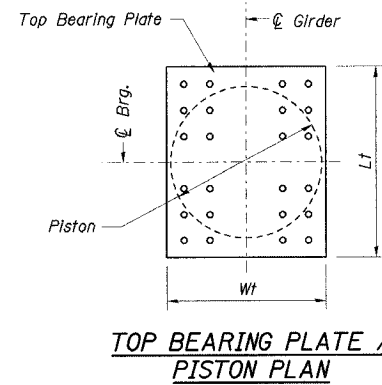
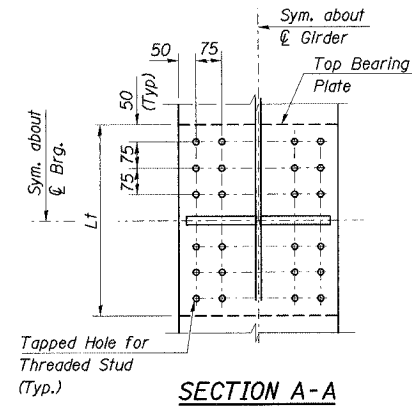


STATE OF ILLINOIS
DEPARTMENT OF TRANSPORTATION

ROUTE NO.	SECTION	COUNTY	TOTAL SHEETS	SHEET NO.	SHEET NO. 64 91 SHEETS
F. A. I. 80/94	0203.1B	COOK	200	126	
FED. ROAD DIST. NO. 1	ILLINOIS	FED. AID PROJECT-			
CONTRACT NO. 62854					



* Weld may be omitted if base cylinder is recessed into bottom bearing plate.

BEARING ASSEMBLY DIMENSIONS

Member	Dimension	Location		
		Pier 2	Pier 5	Pier 8
Top Plate	Wt (G1-G3)	460	460	460
	Wt (G4-G6)	560	560	460
	Lt	550	550	550
	Td	70	70	60
	Tt	70	70	60
	Tu	70	70	60
Bearing	D	440	440	410
	L	440	440	410
	T	191	194	171
Bottom Plate	Wb (G1-G3)	725	725	725
	Wb (G4-G6)	825	825	725
	Lb	580	580	580
	Tb	55	55	45
Bearing Assembly	Th	249	252	219

BEARING DESIGN INFORMATION

Design Information	Location		
	Pier 2	Pier 5	Pier 8
Vertical Design Load (kN)	2345	2348	2029
Pay Item Size (kN)	2500	2500	2250
Longitudinal Lateral Load (kN)	898	970	801

Note:
Vertical Design Load = Total Vertical Dead Load + Live Load (No Impact)

BILL OF MATERIAL

ITEM	UNIT	QUANTITY
Erecting Floating Bearings, Fixed, 2250 kN	Each	6
Erecting Floating Bearings, Fixed, 2500 kN	Each	12

- Notes:
- All dimensions are in millimeters (mm) except as shown.
 - The structural steel for the top bearing plate/piston and bottom bearing plate shall be AASHTO M 270M Grade 345.
 - Cost of top and bottom bearing plates, 3 mm elastomeric neoprene, and threaded studs with washer shall be included with Floating Bearings.
 - For anchor bolt type and details, see Sht. No. 69 of 91 sheets.

DESIGNED	JJK
CHECKED	GPM
DRAWN	LK
CHECKED	PCA

J:\Beauchamp
E:\34562\CADD\B1\CTR_28-2904\cda\br-15001\4a-2804.dgn
28-MAR-2005 12:29

ILLINOIS DEPARTMENT OF TRANSPORTATION
I-94/IL 394 SOUTH BOUND
FLOATING FIXED BEARINGS
WB I-80/94 TO SB IL 394 - RAMP G
FAI 80/94 - FAP 332 SECTION 0203.1B
COOK COUNTY
STA. 120+796.063 STRUCTURE NO. 016-2804
DATE 3/23/05
SCALE ---

HNTB