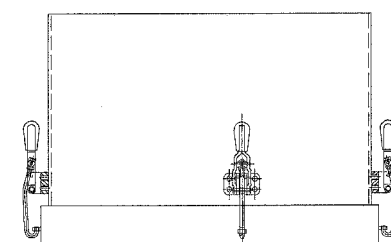
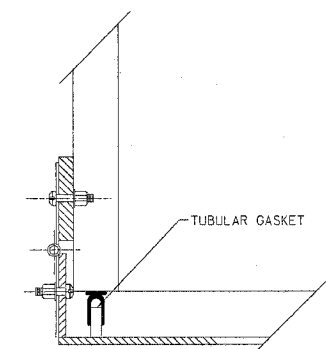


62877

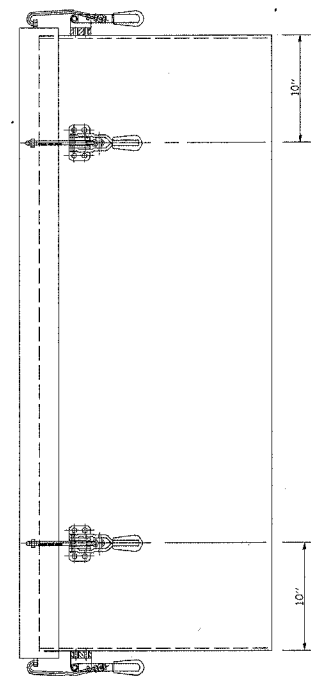
F.A. RTE.	SECTION	COUNTY	TOTAL SHEETS	SHEET NO.
290	0305-302K-1-3	COOK	55	38
STA.		TO STA.		
FED. ROAD DIST. NO.		ILLINOIS FED. AID PROJECT		



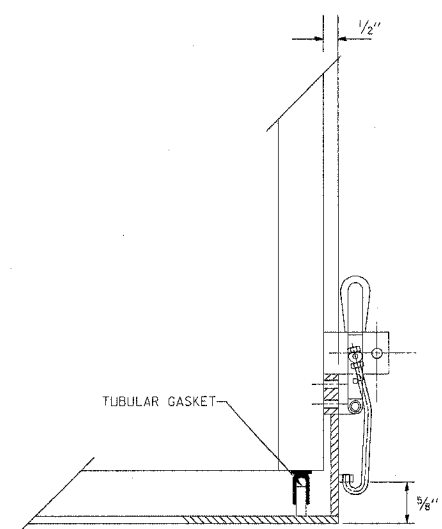
TOP VIEW



HINGE DETAIL

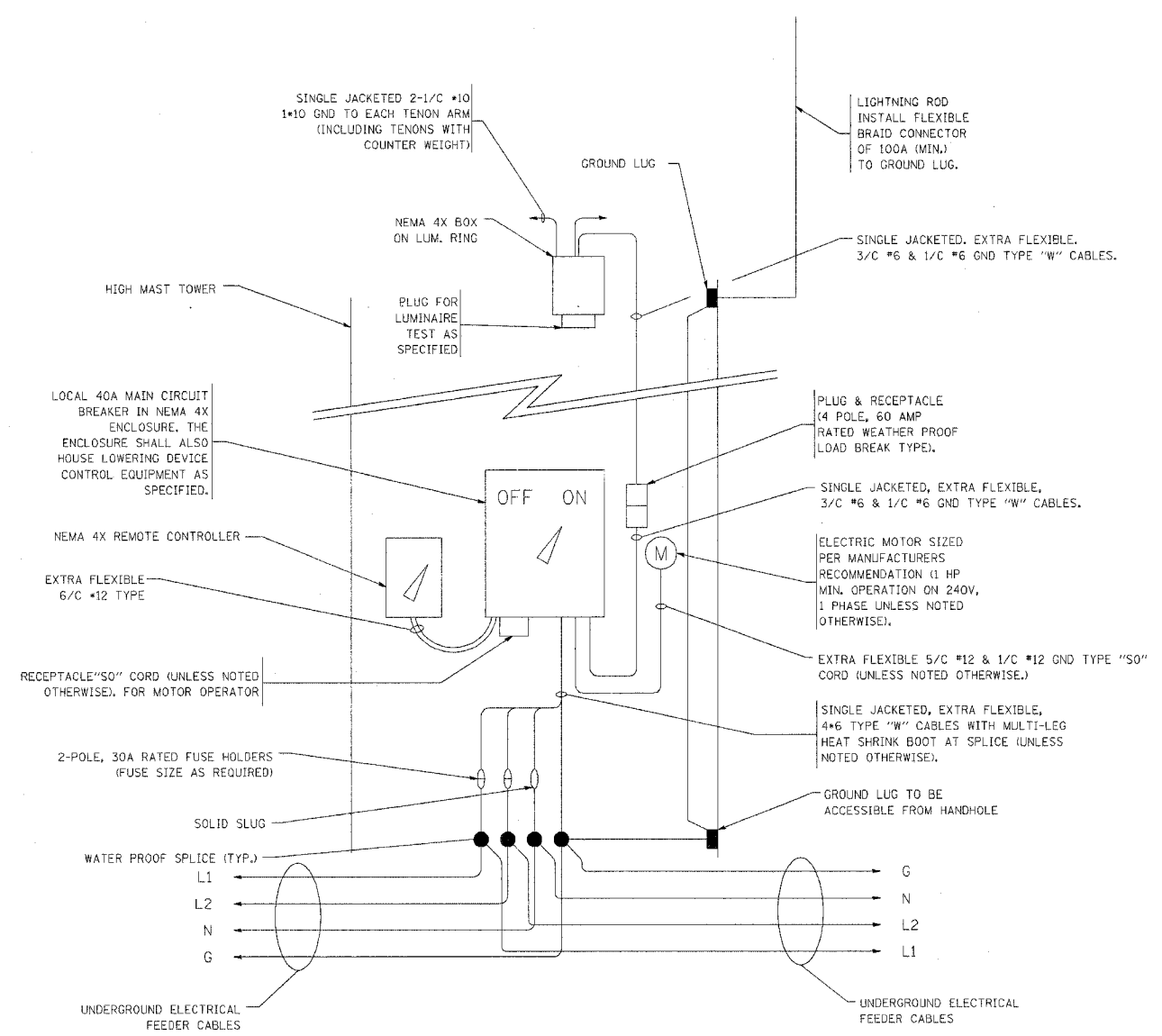


SIDE VIEW

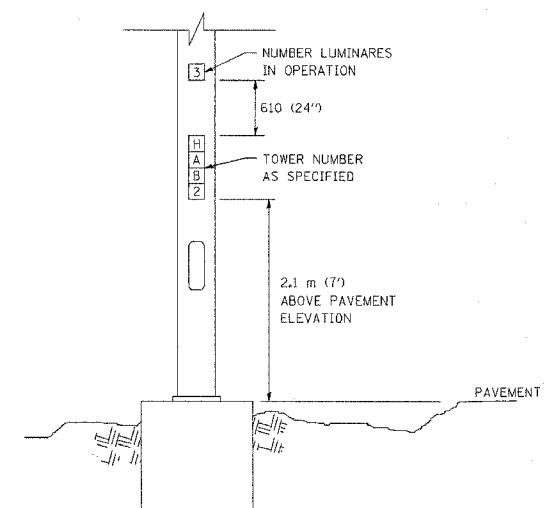


LATCH DETAIL

HANDHOLE DOOR DETAILS



HIGH MAST POLE WIRING DIAGRAM



LIGHT TOWER NUMBERING DETAIL

REVISIONS	
NAME	DATE

ILLINOIS DEPARTMENT OF TRANSPORTATION
HIGH MAST LIGHT TOWER
 27m TO 36m (90FT TO 120FT)
 SHEET 3 OF 3

SCALE: VERT. NONE
 HORIZ. NONE
 DATE: DRAWN BY: CHECKED BY:

05/12/2004
 K:\d\st\04e500.dgn
 V:\BE500
 LEYSA