

STATE OF ILLINOIS  
DEPARTMENT OF TRANSPORTATION

ROUTE NO.	SECTION	COUNTY	SHEET	SHEET NO. 1
		Will	14 7	3 SHEETS
FED. RD. DIST. NO. 7	ILLINOIS	FED. AID PROJECT		

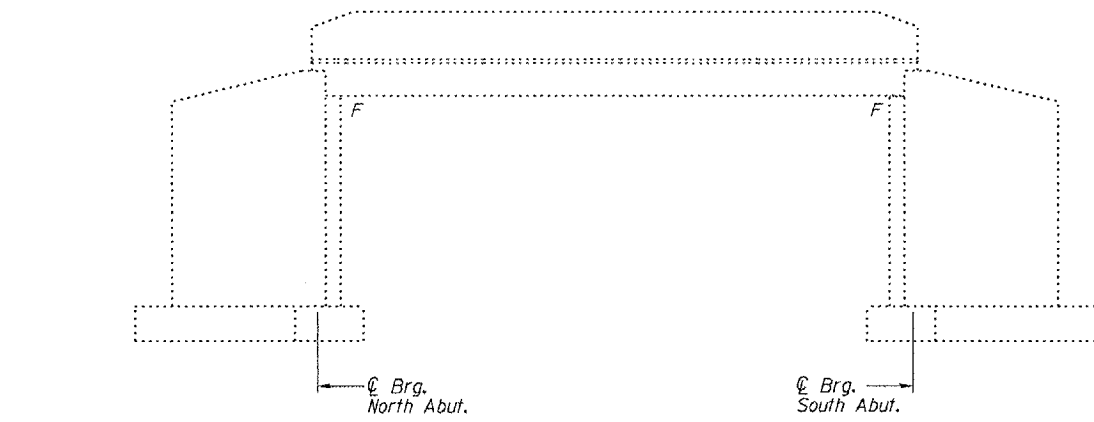
62900

**GENERAL NOTES**

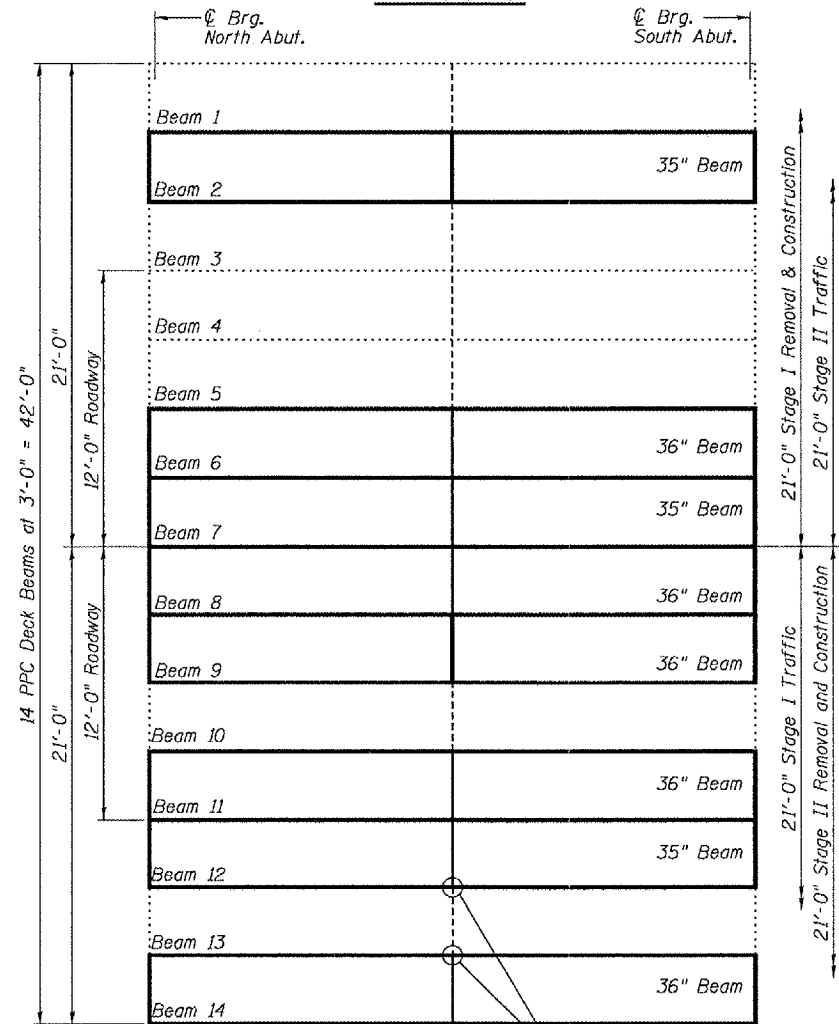
Plan dimensions and details relative to existing structure have been taken from existing plans and are subject to nominal construction variations. It shall be the Contractor's responsibility to verify such dimensions and details in the field and make necessary approved adjustments prior to construction or ordering of materials. Such variations shall not be cause for additional compensation for a change in the scope of the work, however, the Contractor will be paid for the quantity actually furnished at the unit price bid for the work.

Any damage done to the bridge during beam removal shall be repaired by the Contractor. Cost to be included in the cost of "Removal of Existing P.P.C. Deck Beams".  
Reinforcement bars shall conform to the requirements of AASHTO M-31 or M322 Grade 60.

The top surface of the beams shall be finished in accordance with Article 504.06 of the Standard Specifications except that the surface shall not be roughened by brooming. The finished surface shall be free of depressions or high spots with sharp corners, and the top edge of keys shall be rounded or chamfered a minimum of 1/4".  
Temporary concrete barrier shall only be anchored into the overlay and not the PPC Deck Beams.

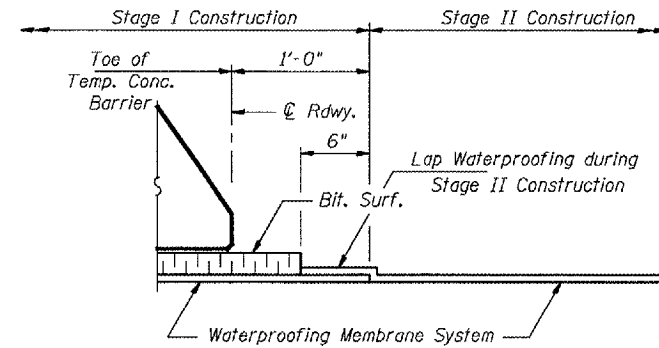


**ELEVATION**

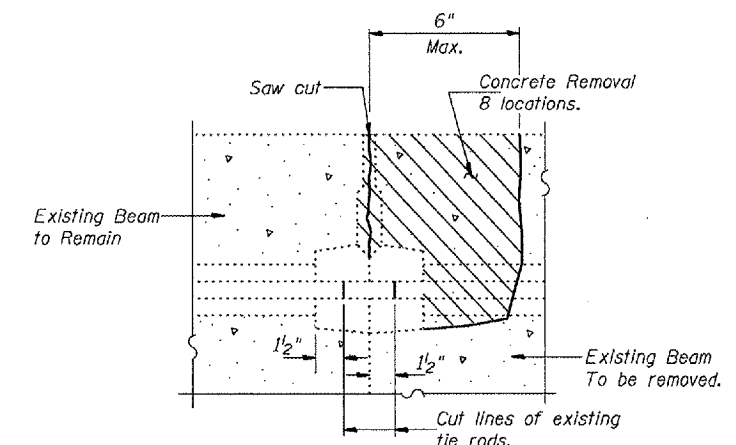


**PLAN**

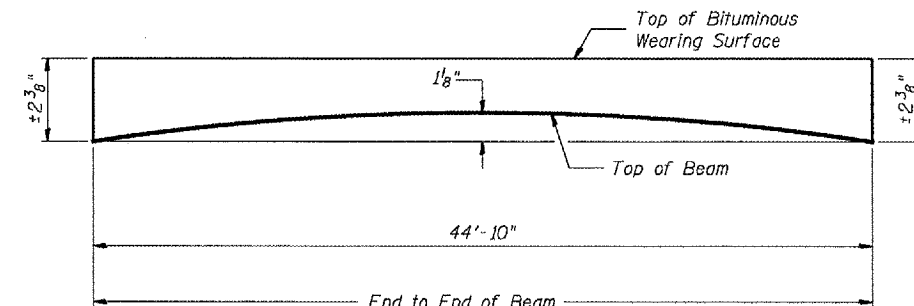
Existing Tie Rods to be cut (Typ). See Detail This sheet.



**WATERPROOFING TREATMENT AT STAGE CONSTRUCTION**



**BEAM REMOVAL DETAIL AT TRANSVERSE TIES**



**ANTICIPATED INITIAL CAMBER DIAGRAM**

**DESIGN STRESSES**

**FIELD UNITS**

f'c = 3,500 psi  
f'y = 60,000 psi

**DESIGN STRESSES**

**PRESTRESS UNITS**

f'c = 5,000 psi  
f'ci = 4,000 psi  
f's = 270,000 psi (1/2" Low Relaxation Strands)  
f'si = 201,960 psi (1/2" Low Relaxation Strands)

**TOTAL BILL OF MATERIAL**

ITEM	UNIT	QUANTITY
Precast Prestressed Concrete Deck Beams (21" Depth)	Sq. Ft.	1065
Bituminous Concrete Surface Removal	Sq. Yd.	83.6
Removal of Existing PPC Deck Beams	Sq. Ft.	1076
Bituminous Concrete Surface Course, Superpave Mix "D" N50	Tons	21.8
PC Mortar Fairing Course	Foot	494
Reinforcement Bars, Epoxy Coated	Pound	830
Waterproofing Membrane System	Sq. Yd.	193.5
Concrete Superstructure	Cu. Yd.	5.2
Concrete Removal	Cu. Yd.	5.2
Protective Coat	Sq. Yd.	19.5

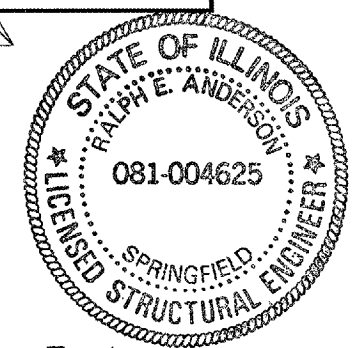
\* Includes only bituminous on beams to remain.

DESIGNED	Walter H. Volz
CHECKED	Ralph E. Anderson
DRAWN	UHV
CHECKED	UHV PBJ

May 8, 2005

EXAMINED John A. Morris  
ENGINEER OF STRUCTURAL SERVICES

PASSED Ralph E. Anderson  
ENGINEER OF BRIDGES AND STRUCTURES



Expires 11-30-06

**PLAN AND ELEVATION  
US 45 OVER NORTH  
BRANCH PRAIRIE CREEK  
WILL COUNTY  
SN.099-0118**