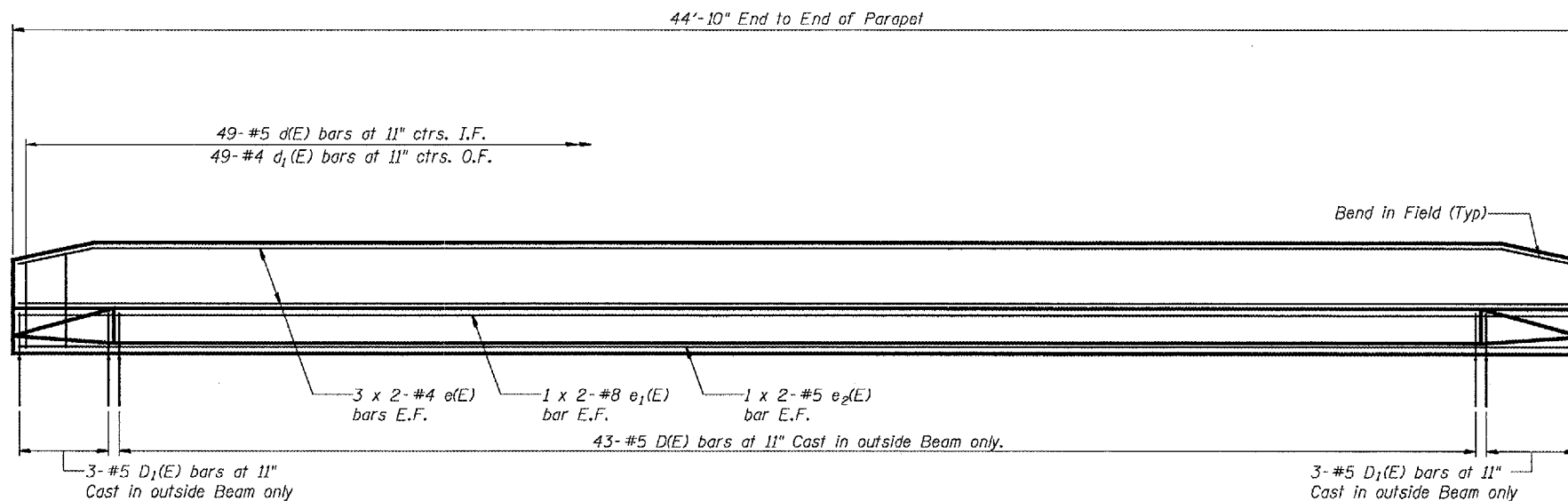


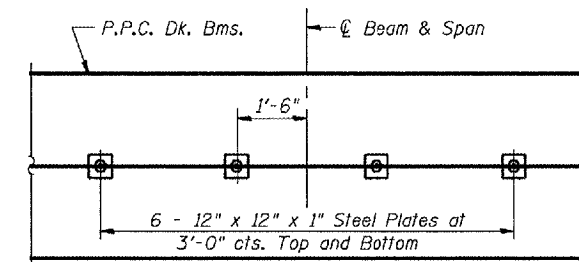
STATE OF ILLINOIS
DEPARTMENT OF TRANSPORTATION

ROUTE NO.	SECTION	COUNTY	TOTAL SHEETS	SHEET NO.	SHEET NO. 3 3 SHEETS
		Will	14	9	
FED. ROAD DIST. NO. 7	ILLINOIS	FED. AID PROJECT			

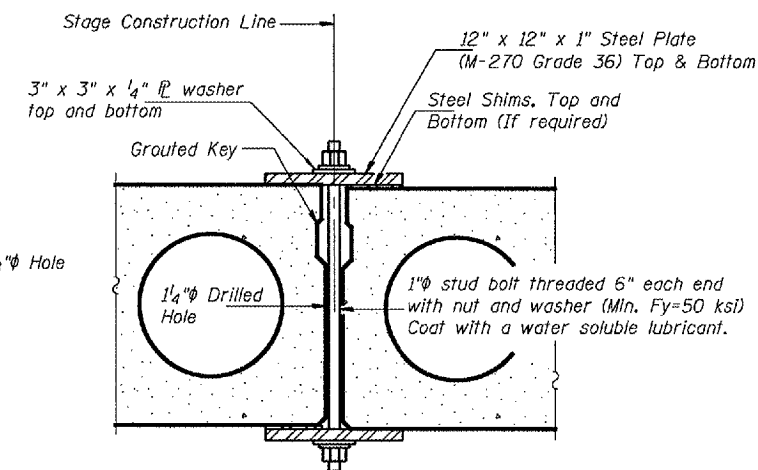
62900



PARAPET ELEVATION

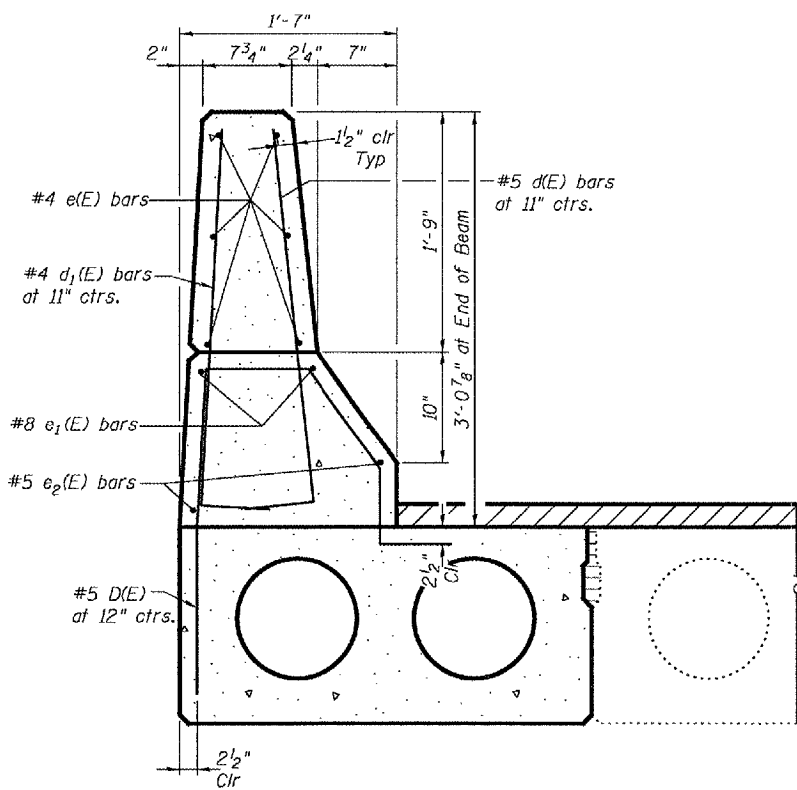


PLAN

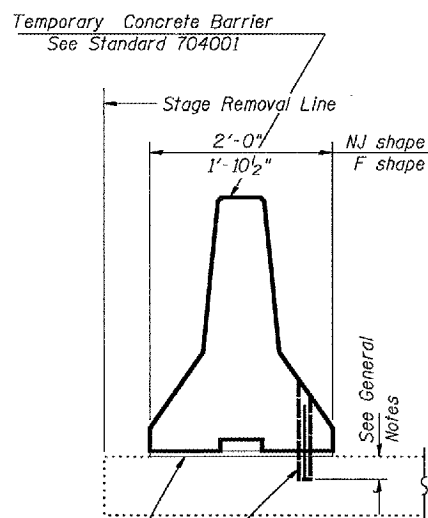


SECTION

CLAMPING PLATE

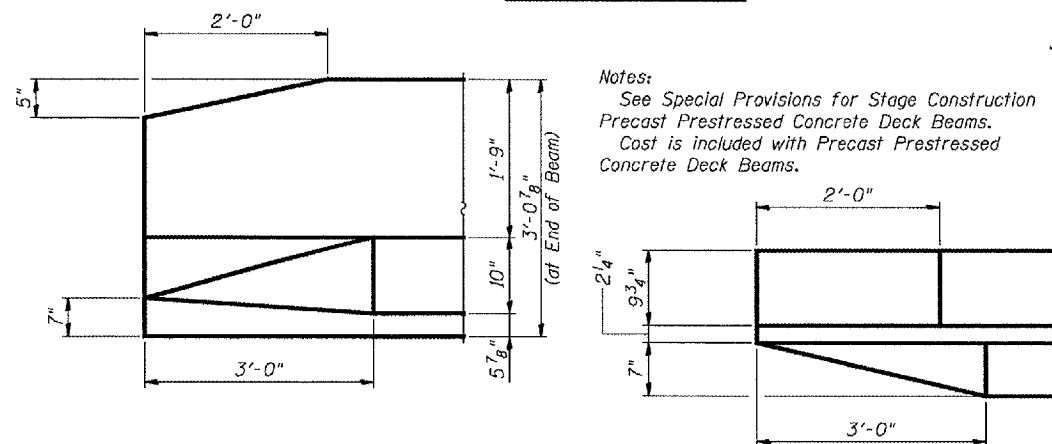


SECTION THRU PARAPET



TEMPORARY CONCRETE BARRIER

See Roadway Plans for quantify



PARAPET END DETAILS

Notes:
See Special Provisions for Stage Construction
Precast Prestressed Concrete Deck Beams.
Cost is included with Precast Prestressed
Concrete Deck Beams.

BILL OF MATERIAL

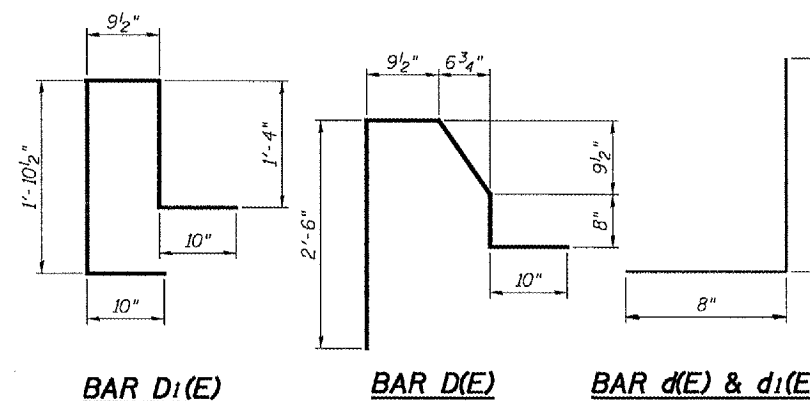
Bar	No.	Size	Length	Shape
d(E)	49	#5	3'-4"	
d1(E)	49	#4	3'-4"	
e(E)	12	#4	23'-3"	
e1(E)	4	#8	24'-8"	
e2(E)	4	#5	23'-6"	
Reinforcement Bars Epoxy Coated			Pound	830
Concrete Superstructure			Cu. Yd.	5.1
Concrete Removal			Cu. Yd.	5.1

All Bars Designated (E) Shall be Epoxy Coated.

Min. Bar Laps

- #4 = 1'-8"
- #5 = 2'-2"
- #8 = 4'-6"

**PARAPET, CONCRETE BARRIER AND STAGE DETAILS
US 45 OVER NORTH
BRANCH PRAIRIE CREEK
WILL COUNTY
SN.099-0118**



BAR D1(E)

BAR D(E)

BAR d(E) & d1(E)

DESIGNED	V.H.V.
CHECKED	P.S.J.
DRAWN	Drew Christopher
CHECKED	V.H.V. P.S.J.

EXAMINED	John A. Morris ENGINEER OF STRUCTURAL SERVICES
PASSED	Ralph E. Anderson ENGINEER OF BRIDGES AND STRUCTURES

May 5, 2005