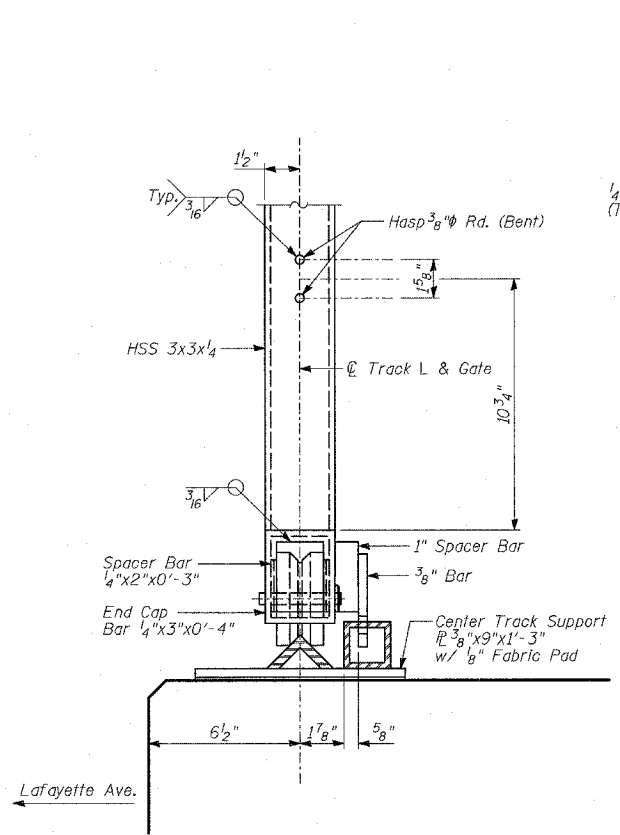
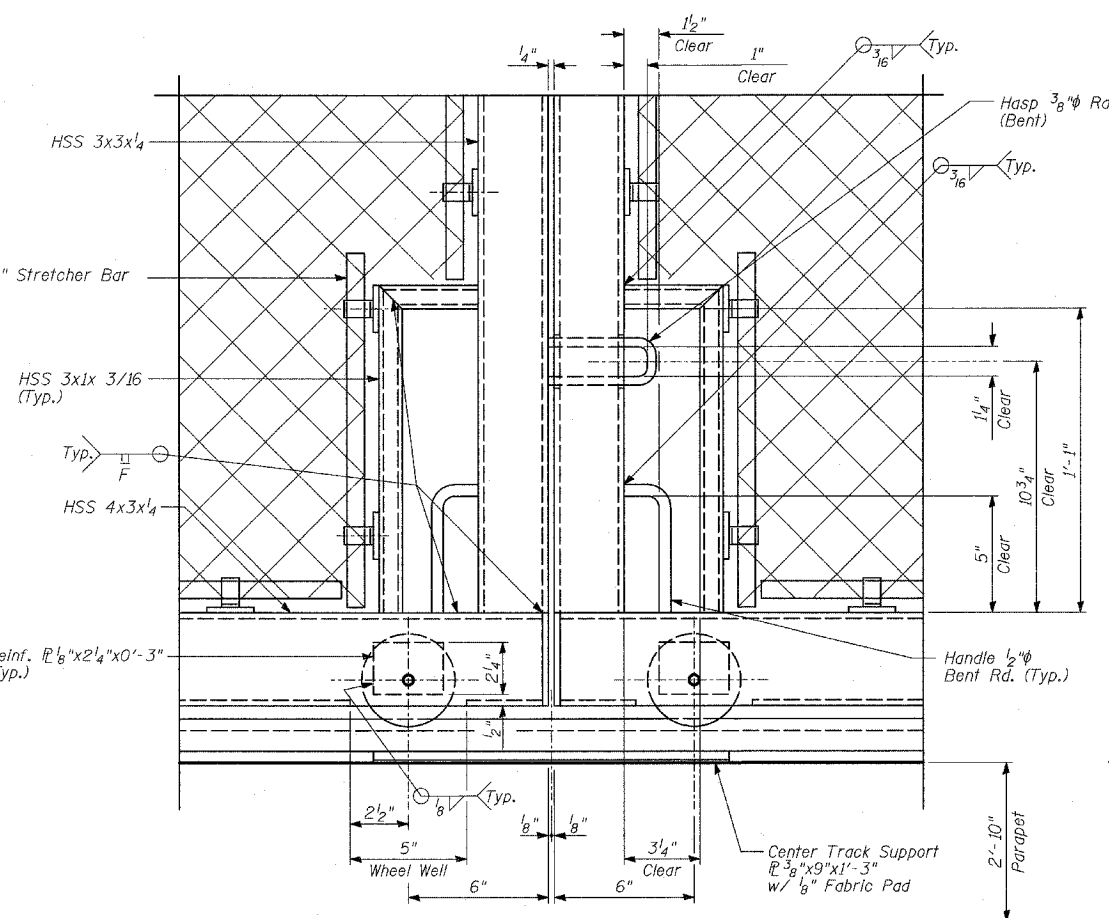


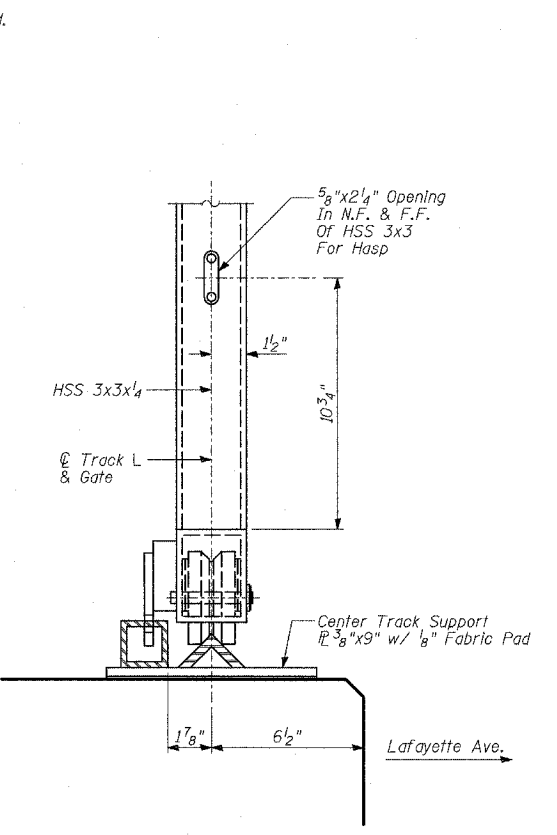
SECTION C-C



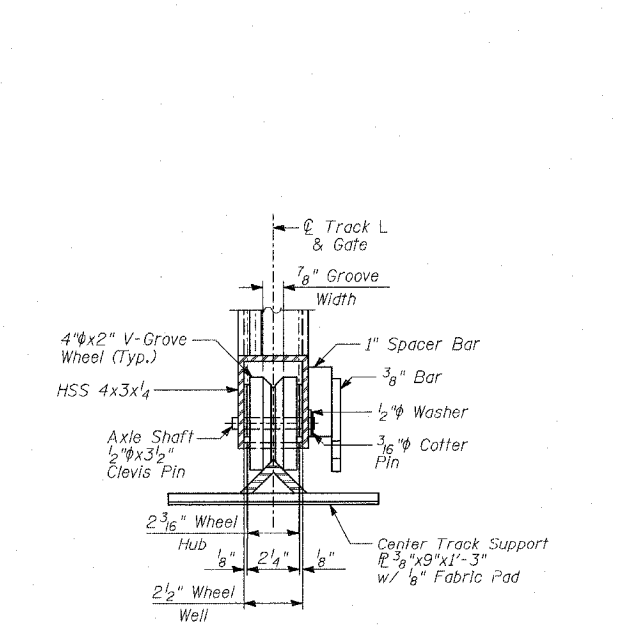
SECTION F-F



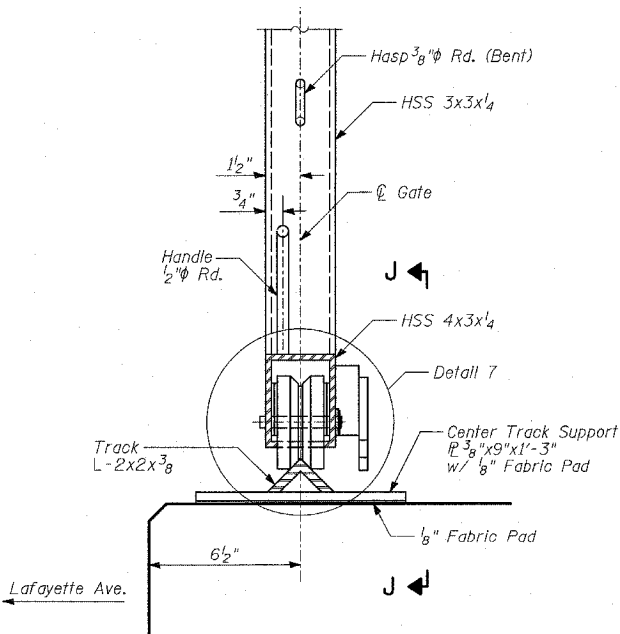
DETAIL 6



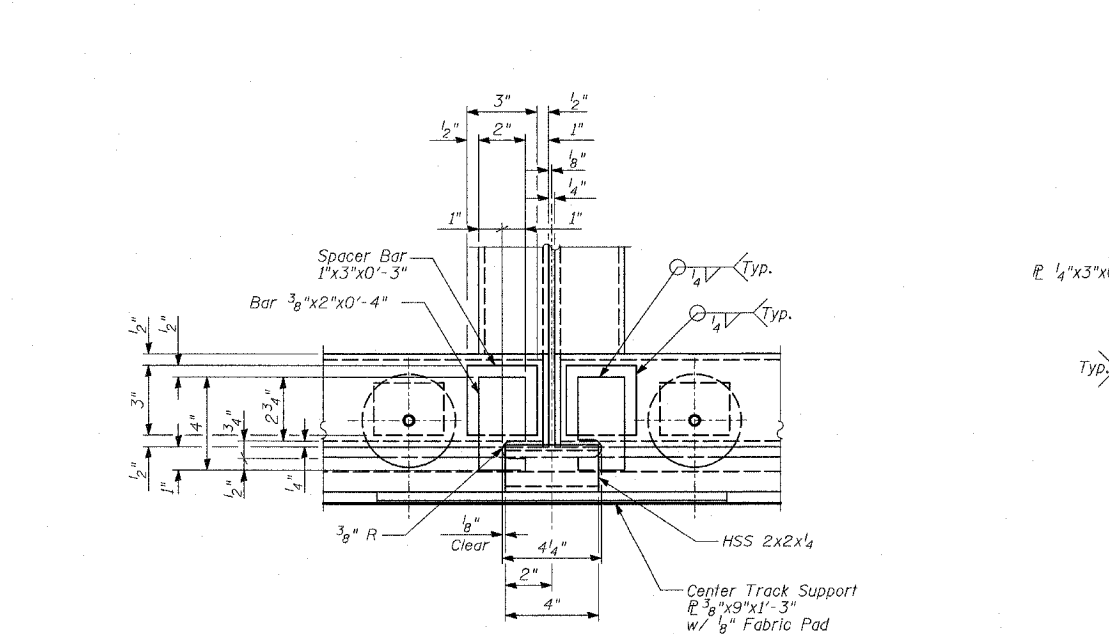
SECTION H-H



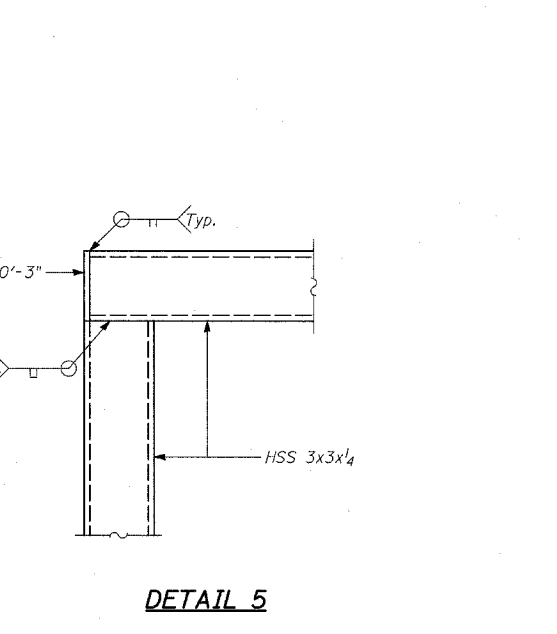
DETAIL 7



SECTION G-G



SECTION J-J



DETAIL 5

- NOTES:**
- For notes, see Sheet 29 of 36.
  - For Anchor Rod locations, see Sheet 29 of 36.
  - For Anchor Rod details, see Sheet 31 of 36.
  - N.F. - denotes Near Face.
  - F.F. - denotes Far Face.

REVISIONS	
NAME	DATE

ILLINOIS DEPARTMENT OF TRANSPORTATION  
**F.A.I. 94 (DAN RYAN EXPRESSWAY)**  
**WALLS 36, 38, 72, 73A, 73B**  
**GATE SECTIONS AND DETAILS**

SCALE: N.T.S.  
 DATE: APRIL 15, 2005

DESIGNED BY: MI, DJR  
 DRAWN BY: DJR  
 CHECKED BY: TD, MI

4/17/2005 7:59:02 AM  
 p:\02373\road\c17\ansit\drst0435\_w950.dgn