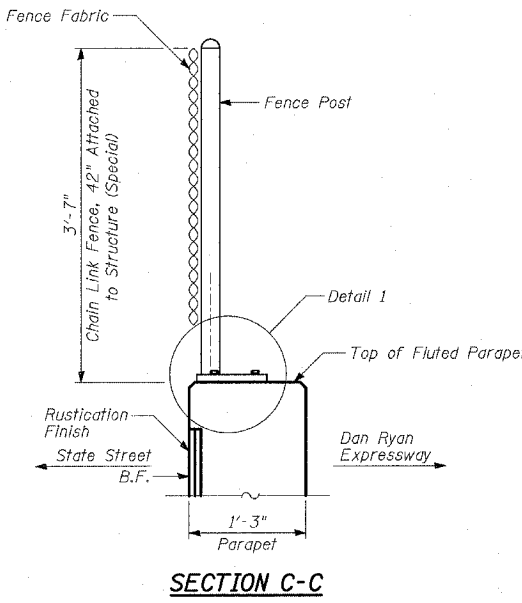
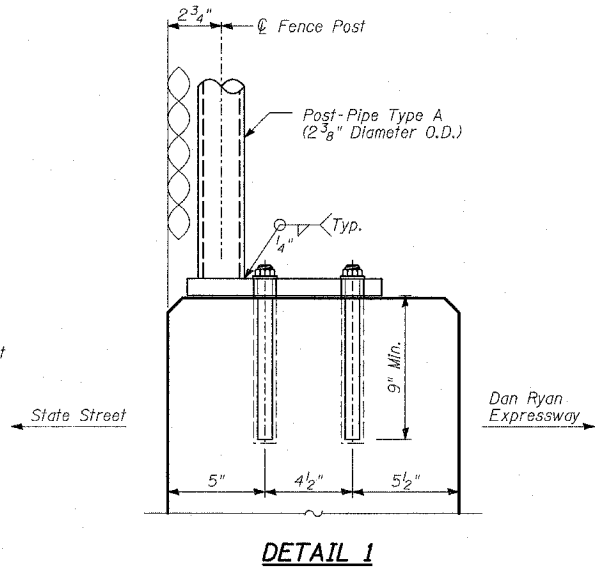


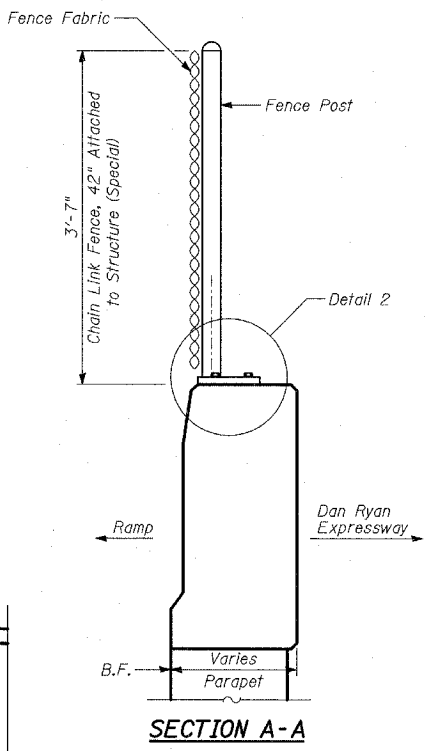
**BACK FACE ELEVATION - TOP OF RETAINING WALLS
FLUTED PARAPET, PARAPET TRANSITION AND CHAIN LINK FENCE**



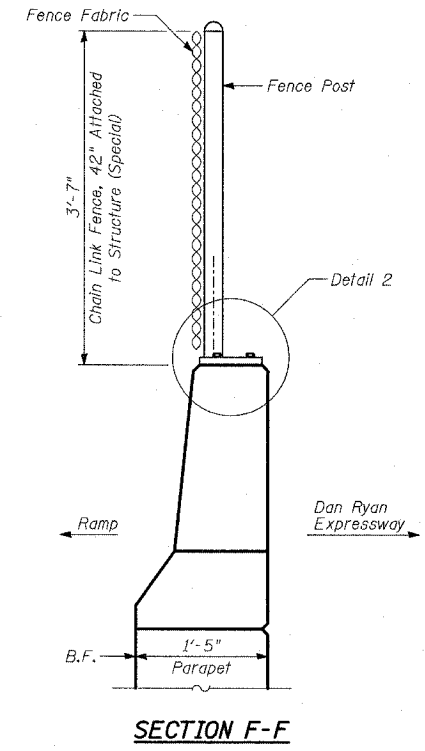
SECTION C-C



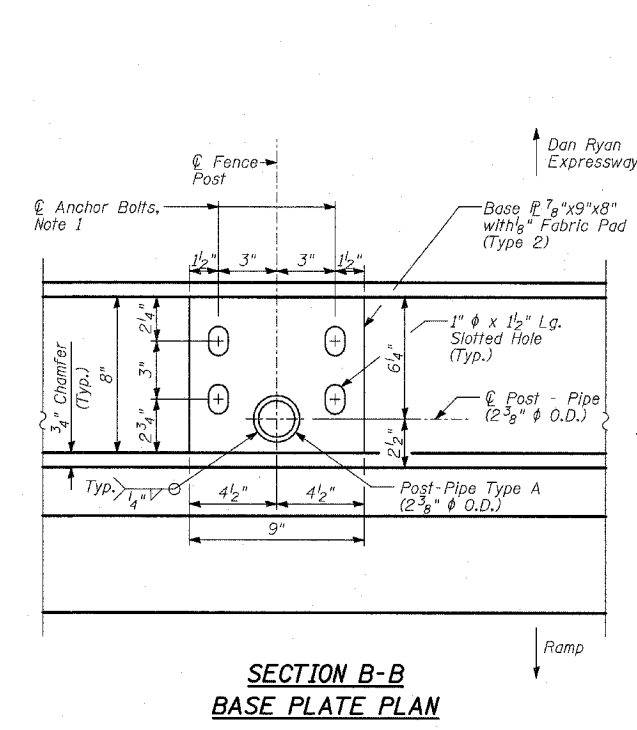
DETAIL 1



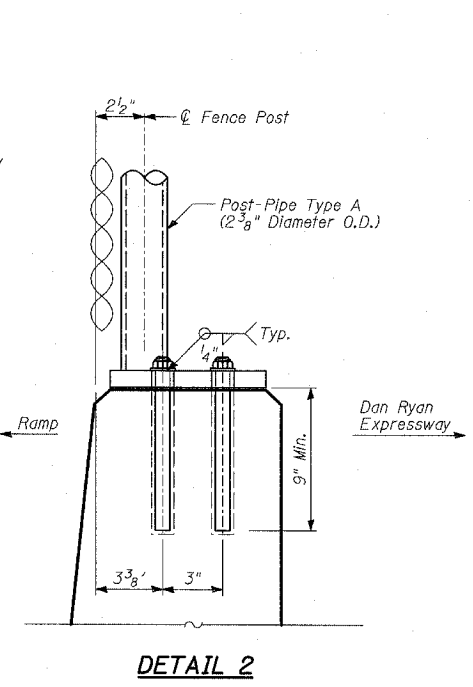
SECTION A-A



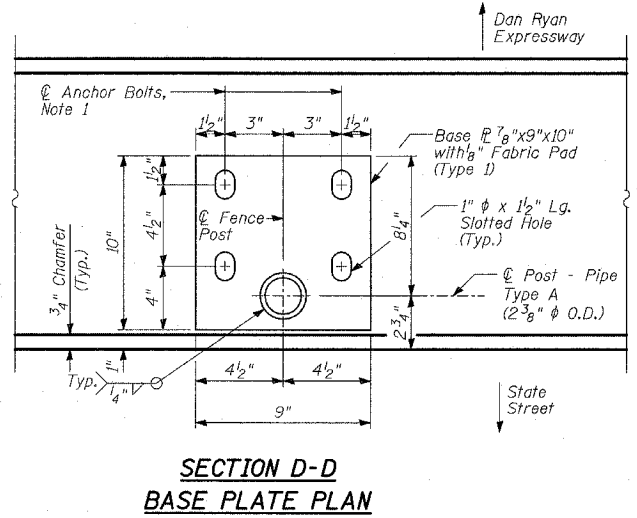
SECTION F-F



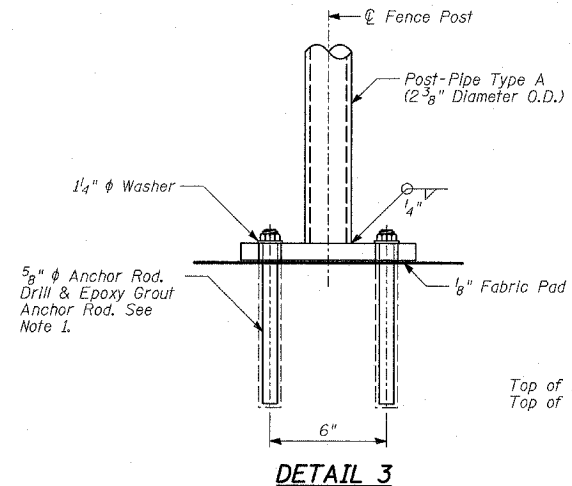
**SECTION B-B
BASE PLATE PLAN**



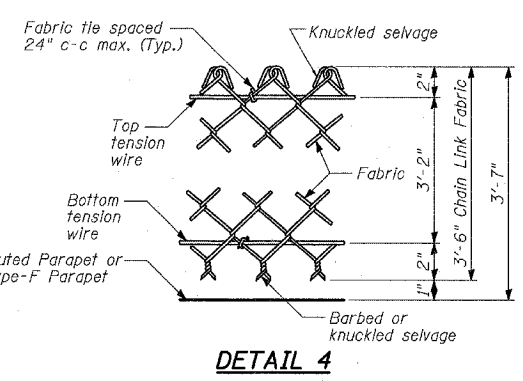
DETAIL 2



**SECTION D-D
BASE PLATE PLAN**



DETAIL 3



DETAIL 4

NOTES:

- The Contractor shall drill and epoxy grout 5/8" diameter anchor rods. The Contractor shall use the capsule or the adhesive cartridge type anchor rods that have been previously tested and given prior approval by the Department for the above specified anchor rod spacing. The Contractor shall install these anchor rods in pre-drilled holes according to the manufacturer's recommendations and procedures. The capsule or adhesive cartridge shall be sealed with pre-measured amounts of adhesive chemical. Anchor rod threading to be peened after nuts are installed.
- For additional chain link fence details, see Standard 664001.

BILL OF MATERIAL

WALL	ITEM	UNIT	TOTAL
1	Chain Link Fence, 42" Attached to Structure (Special)	FOOT	592
6	Chain Link Fence, 42" Attached to Structure (Special)	FOOT	695
	Total	FOOT	1287

REVISIONS	
NAME	DATE

ILLINOIS DEPARTMENT OF TRANSPORTATION
**F.A.I. 94 (DAN RYAN EXPRESSWAY)
 RETAINING WALL ALONG STATE ST.
 ENTRANCE RAMP AT 95TH ST.
 WALLS 1 & 6 - CHAIN LINK FENCE, 42"
 ATTACHED TO STRUCTURE (SPECIAL)**
 DESIGNED BY: MI, MAF
 SCALE: N.T.S.
 DATE: APRIL 15, 2005
 DRAWN BY: MAF, TB
 CHECKED BY: TD, MI