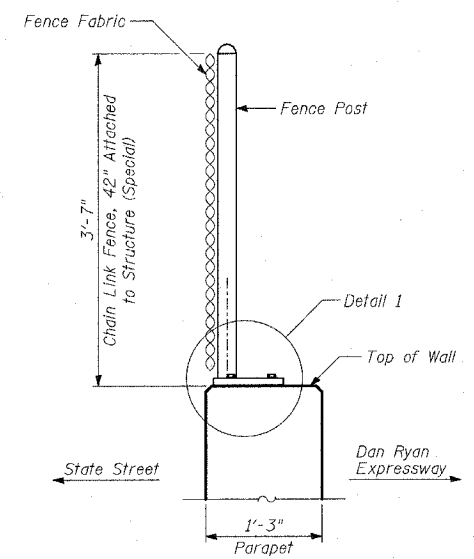
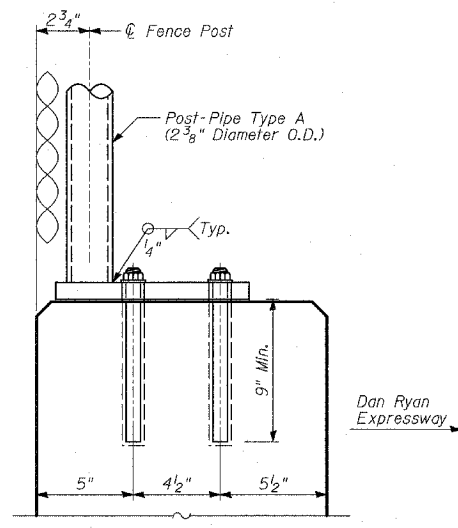


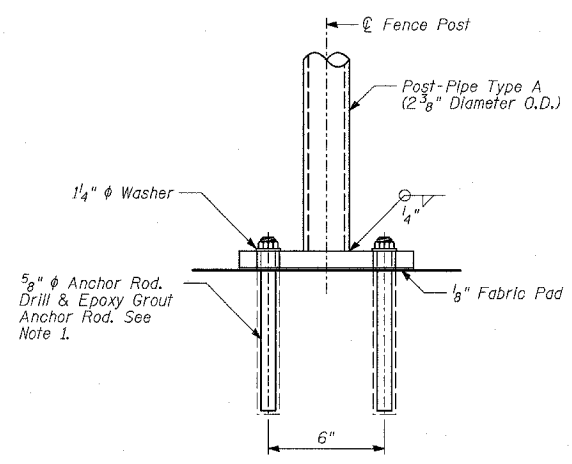
BACK FACE ELEVATION - TOP OF RETAINING WALL CHAIN LINK FENCE



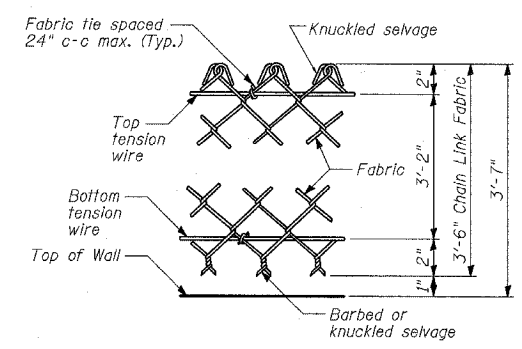
SECTION A-A



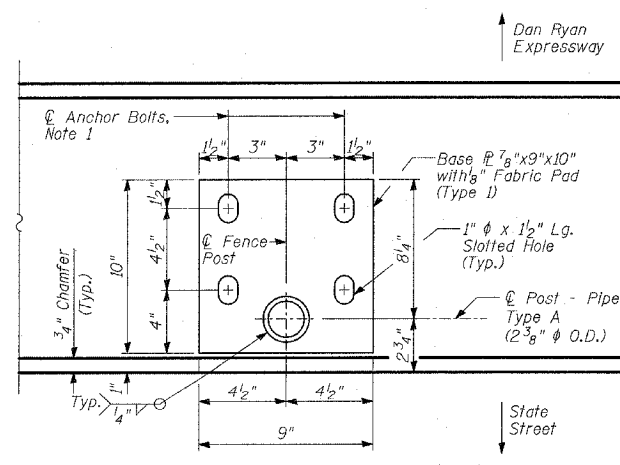
DETAIL 1



DETAIL 2



DETAIL 3



**SECTION B-B
BASE PLATE PLAN**

BILL OF MATERIAL

WALL	ITEM	UNIT	TOTAL
2A	Chain Link Fence, 42" Attached to Structure (Special)	FOOT	720
5	Chain Link Fence, 42" Attached to Structure (Special)	FOOT	1020
7	Chain Link Fence, 42" Attached to Structure (Special)	FOOT	390
Total		FOOT	2130

NOTES:

- The Contractor shall drill and epoxy grout 5/8" diameter anchor rods. The Contractor shall use the capsule or the adhesive cartridge type anchor rods that have been previously tested and given prior approval by the Department for the above specified anchor rod spacing. The Contractor shall install these anchor rods in pre-drilled holes according to the manufacturer's recommendations and procedures. The capsule or adhesive cartridge shall be sealed with pre-measured amounts of adhesive chemical. Anchor rod threading to be peened after nuts are installed.
- For additional chain link fence details, see Standard 664001.

REVISIONS	
NAME	DATE

ILLINOIS DEPARTMENT OF TRANSPORTATION
F.A.I. 94 (DAN RYAN EXPRESSWAY)
RETAINING WALL ALONG STATE ST.
ENTRANCE RAMP FROM 95TH ST. TO 93RD ST.
WALLS 2A, 5 & 7 - CHAIN LINK FENCE
42" ATTACHED TO STRUCTURE (SPECIAL)
 DESIGNED BY: MI, MAF
 SCALE: N.T.S.
 DRAWN BY: MAF, DJR
 DATE: APRIL 15, 2005
 CHECKED BY: TD, MI