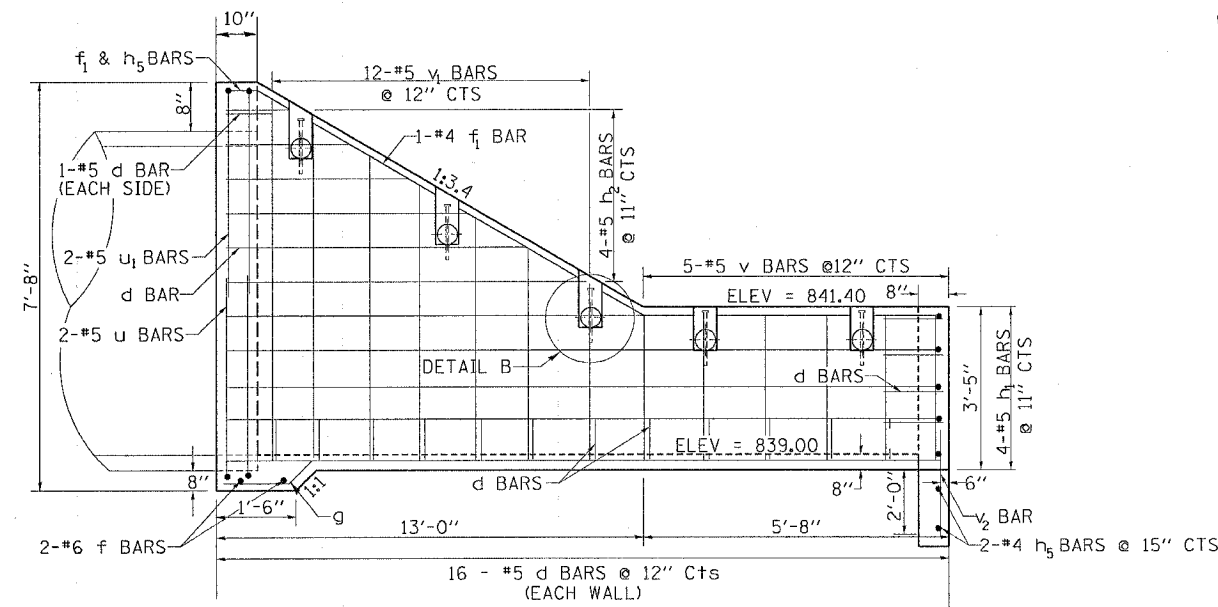
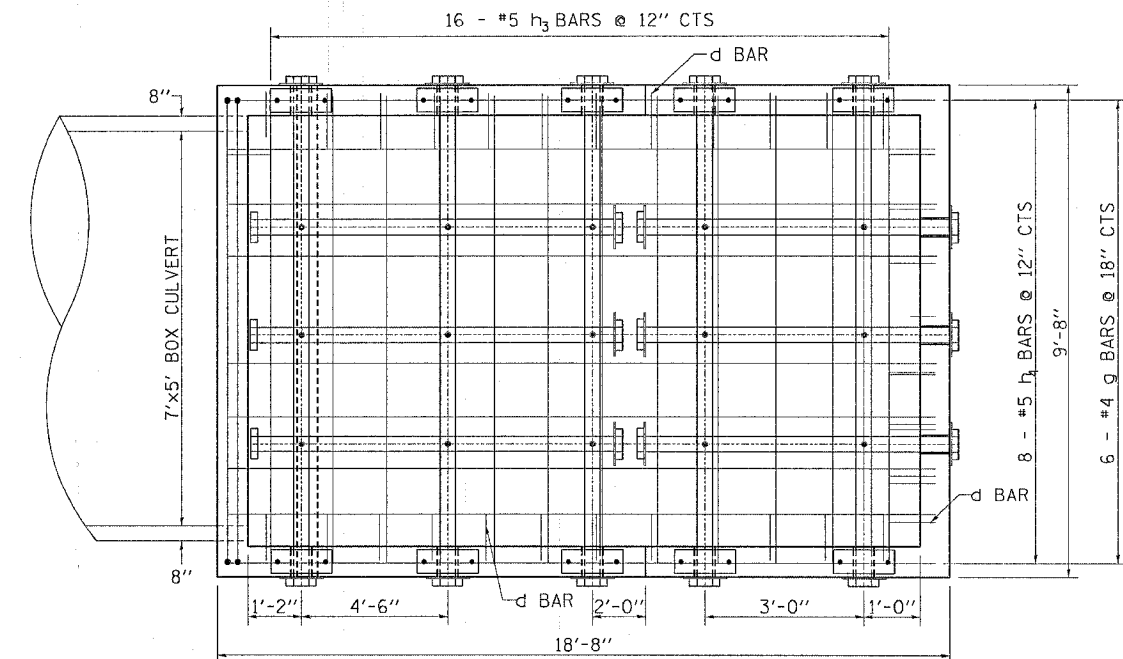
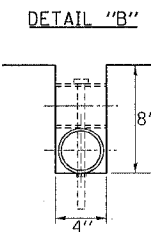
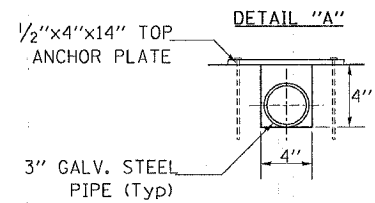


# DROP BOX NO. 2 STA 522+57.60 48.0' RT

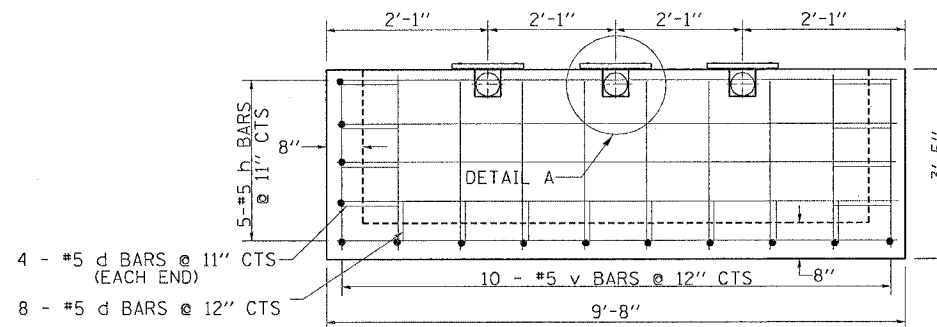
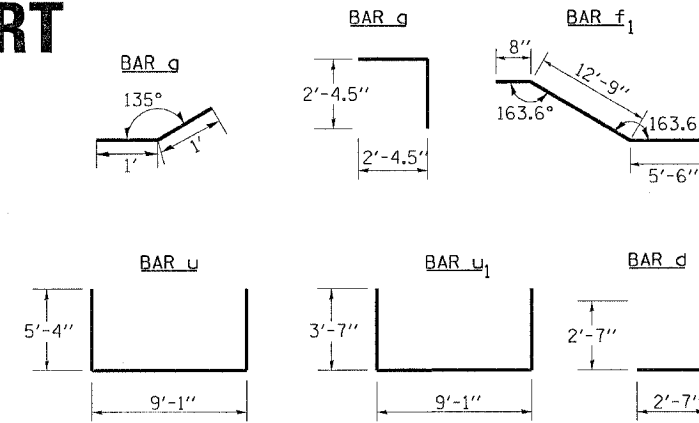
F.A.P. RTE.	SECTION	COUNTY	TOTAL SHEETS	SHEET NO.
549	116RS-1	OGLE	593	194
STA.		TO STA.		
FED. ROAD DIST. NO.		ILLINOIS FED. AID PROJECT		
CONTRACT NO. 64178				



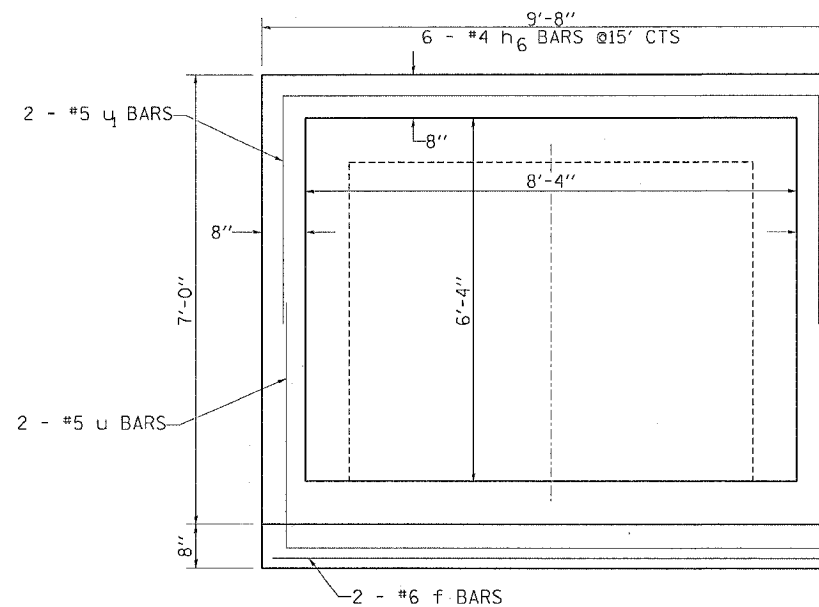
## SIDEWALLS



## BOTTOM SLAB



## BACK WALL



## HEADWALL

## BILL OF MATERIAL

BAR	SIZE	NO.	LENGTH	SHAPE
d	5	50	5'-2"	
f	6	2	9'-5"	
f1	4	2	18'-11"	
g	4	6	2'-0"	
h	5	4	9'-5"	
h1	5	8	18'-5"	
h2	5	4	10'-9"	
h3	5	16	9'-5"	
h4	5	8	18'-5"	
h5	4	2	9'-5"	
h6	4	6	0'-9"	
v	5	20	3'-2"	
v1	5	12	10'-0"	
v2	4	10	3'-2"	
u	5	2	19'-10"	
u1	5	2	16'-1"	
DESCRIPTION	UNIT	QTY		
CLASS "SI" CONCRETE	CU YD	9.0		
REINFORCEMENT BARS	LB	1182.51		

DESCRIPTION	UNIT	QTY.
3" GALVANIZED STEEL PIPE	5e	10'-0"
	3e	5'-7"
	3e	12'-8"
3" GALVANIZED PIPE CAPS	EACH	22
1/4" GALVANIZED STEEL PLATE (9" NOMINAL)	EACH	10
1/2"x4"x14" GALVANIZED STEEL PLATE	EACH	13
5/8"x9" GALVANIZED STEEL BOLTS	EACH	15

## GENERAL NOTES

Order 4-h2 & 10-v1 Bars Full Length and cut to fit in field. Use Remainder in Opp. Wall

This work shall be done according to the applicable portion of 503, 508, and 542 of the Standard Specifications.

Contractor shall field verify Galvanized pipe length. Class "SI" Concrete shall be used. Exposed edges shall be beveled 3/4".

The contract unit price "each" for DROP BOX NO. 2 shall include the Expansion Bolts, Galvanized Pipe, Class "SI" Concrete, Reinforcement Bars, Bolts, Nuts, Washers, Steel Plates, earth excavation where required, and necessary grading to fit the inlet as shown in the cross sections or to the slope. Reinforcement bars shall conform to the requirements of AASHTO M-31 or M-53, Grade 60.

STEEL PLATES SHALL CONFORM TO AASHTO M-183 AND SHALL BE GALVANIZED CONFORMING TO AASHTO M-111.

Bolts, Nuts, and Washers shall be in accordance with Article 710.11 of the Standard Specification and shall be galvanized.

**DROP BOX NO. 2  
STA 522+57.60**

**DROP BOX NO. 2**