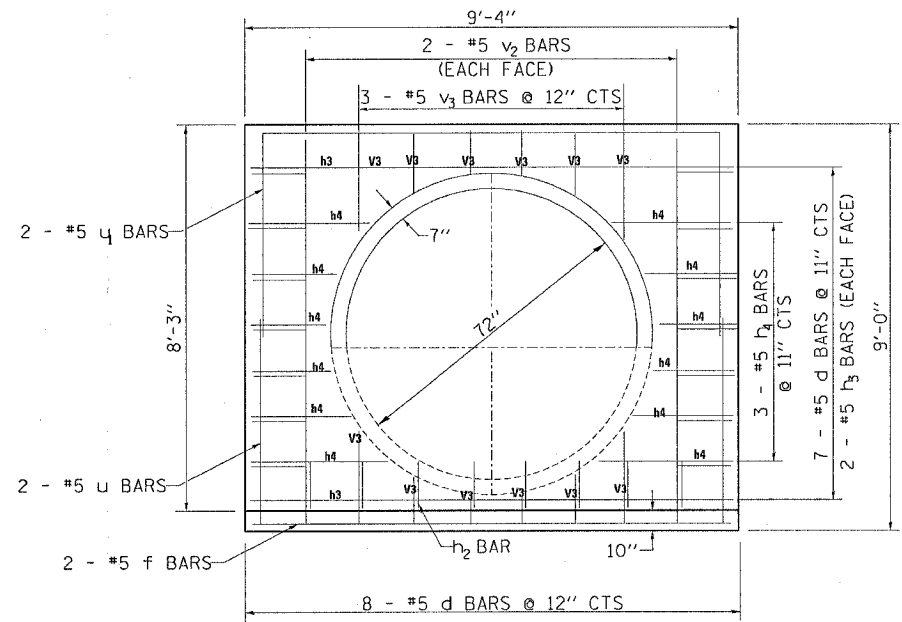
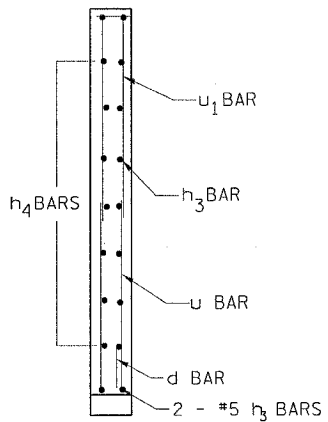


DROP BOX NO. 5 STA 619 + 06.06 50.8' RT.

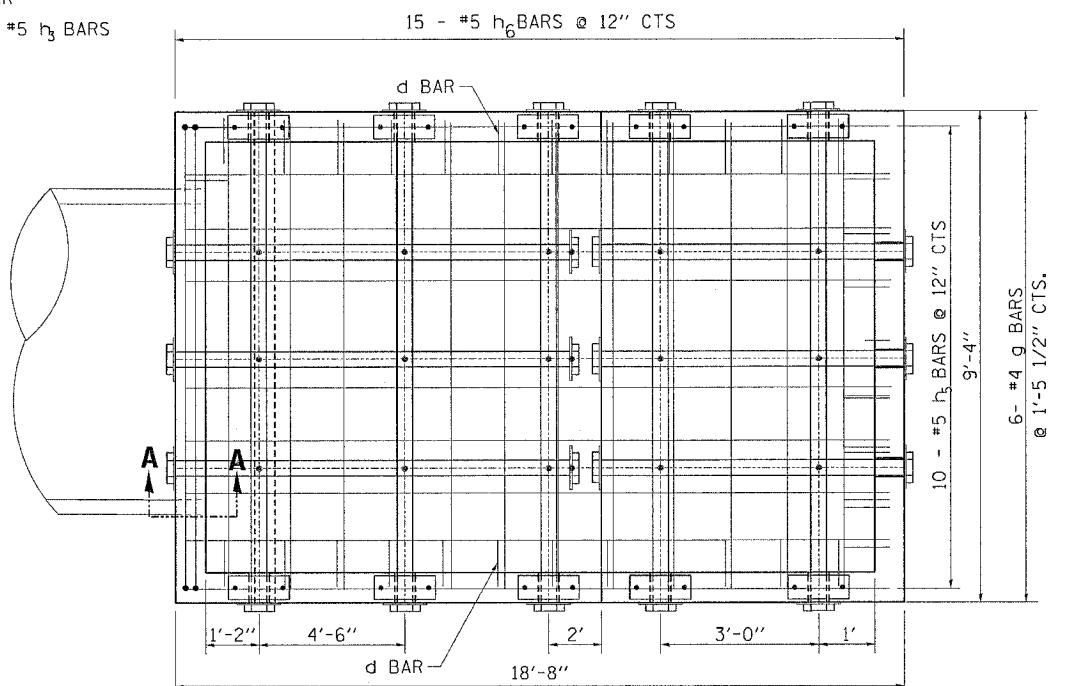
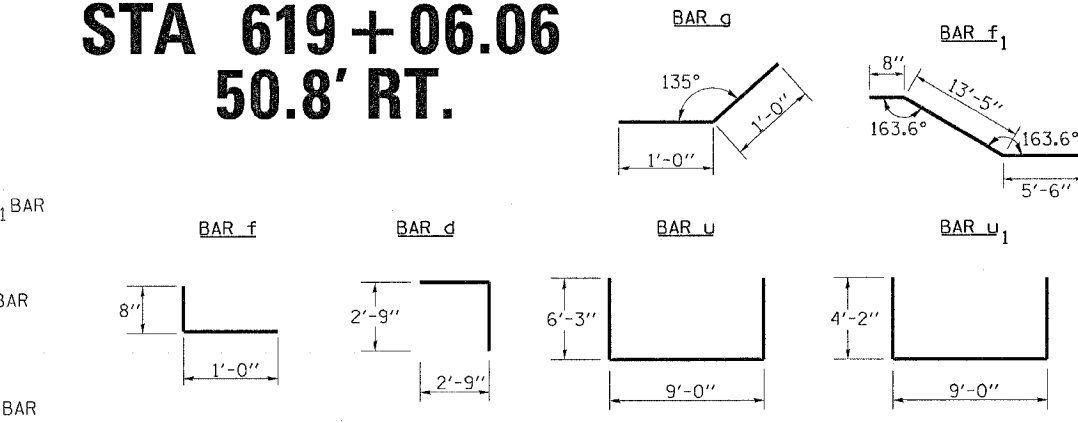
F.A.P. RTE.	SECTION	COUNTY	TOTAL SHEETS	SHEET NO.
549	116RS-1	OGLE	593	197
STA.		TO STA.		
FED. ROAD DIST. NO.		ILLINOIS	FED. AID PROJECT	
CONTRACT NO. 64178				



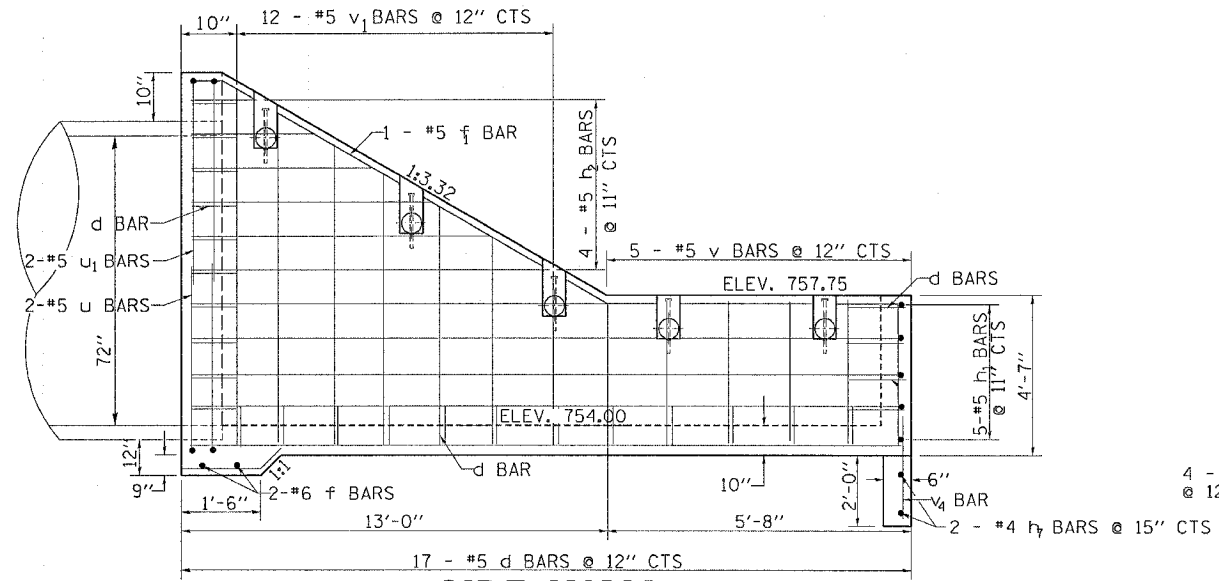
HEADWALL



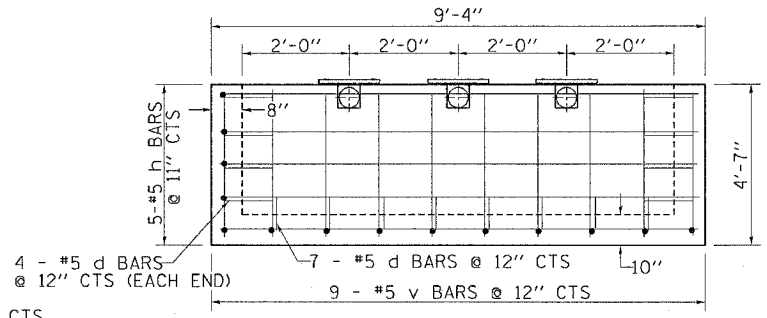
A-A



BOTTOM SLAB



SIDE WALL



BACK WALL

BILL OF MATERIAL

BAR	SIZE	NO.	LENGTH	SHAPE
d	5	71	5'-6"	
f	6	2	9'-0"	
f1	4	2	19'-7"	
g	4	6	2'-0"	
h	5	5	9'-0"	
h1	5	10	18'-5"	
h2	5	4	11'-0"	
h3	5	4	9'-1"	
h4	5	3	9'-0"	
h5	5	10	18'-5"	
h6	5	15	9'-1"	
h7	4	2	9'-0"	
v	5	19	4'-4"	
v1	5	12	13'-7"	
v2	5	4	8'-9"	
v3	5	3	8'-0"	
v4	4	9	3'-2"	
u	5	2	15'-3"	
u1	5	2	13'-3"	
DESCRIPTION	UNIT	QTY		
CLASS "SI" CONCRETE	CU YD	13.0		
REINFORCEMENT BARS	LB	1561.60		

DESCRIPTION	UNIT	QTY.
3" GALVANIZED STEEL PIPE	5e	9'-7"
	3e	5'-8"
	3e	13'-0"
3" GALVANIZED PIPE CAPS	EACH	20
1/4" GALVANIZED STEEL PLATE (9" NOMINAL)	EACH	10
1/2"x4"x14" GALVANIZED STEEL PLATE	EACH	16
5/8"x9" GALVANIZED STEEL BOLTS	EACH	15

GENERAL NOTES

Order h2 & v4 Bars Full length, Cut to fit in the field and use the remainder in the opposite walls

Order 5-h4 & 3-v3 Bars Full Length and cut to fit in field

This work shall be done according to the applicable portion of 503, 508, and 542 of the Standard Specifications.

Contractor shall field verify Galvanized pipe length.

Class "SI" Concrete shall be used. Exposed edges shall be beveled 3/4".

The contract unit price "each" for DROP BOX NO. 5 shall include the Expansion Bolts, Galvanized Pipe, Class "SI" Concrete, Reinforcement Bars, Bolts, Nuts, Washers, Steel Plates, earth excavation where required, and necessary grading to fit the inlet as shown in the cross sections or to the slope

Reinforcement bars shall conform to the requirements of AASHTO M-31 or M-53, Grade 60.

PLOT DATE: Wed Feb 09 07:40:19 2005
FILE NAME: C:\proj\p05\20050417\20050417.dgn
PLOT SCALE: 1/8" = 1'-0"