

F.A.P. RTE.	SECTION	COUNTY	TOTAL SHEETS	SHEET NO.
549	116RS-1	OGLE	593	208
STA.		TO STA.		
FED. ROAD DIST. NO.		ILLINOIS FED. AID PROJECT		

PRECAST BOX CULVERT & CULVERT DROP BOX DETAILS

PLAN STA 517+98

GENERAL NOTES

THIS WORK CONSISTS OF FURNISHING AND INSTALLING A PRECAST BOX CULVERT AT STA. 517+98 AS SHOWN ON THE PLANS AND SPECIFIED HEREIN.

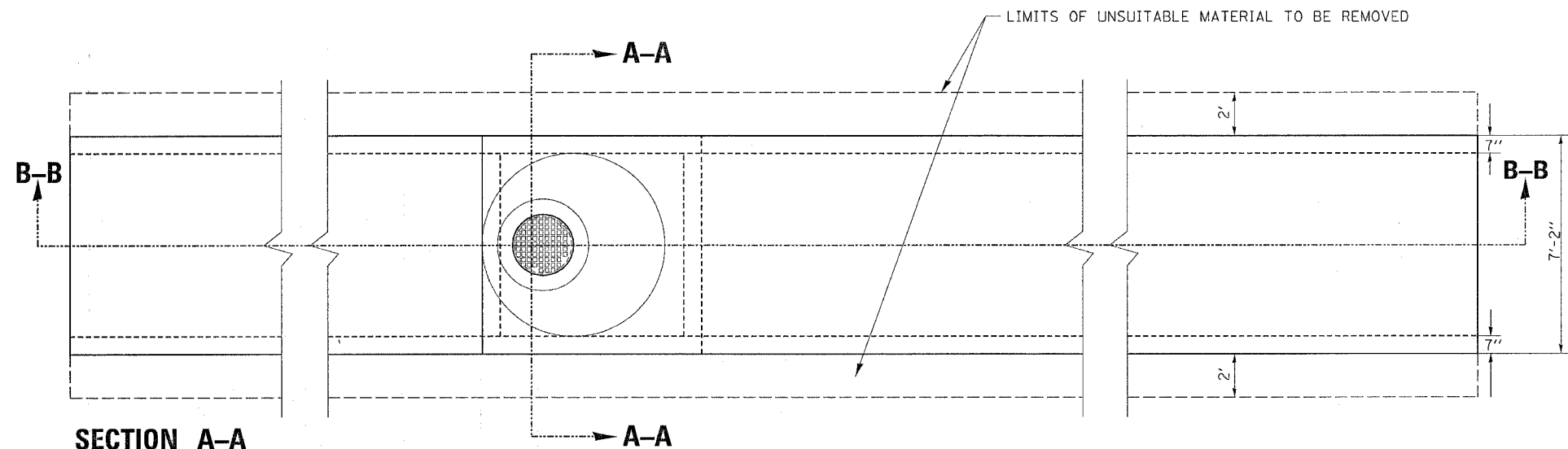
THE EXCAVATION AND BACKFILLING FOR PRECAST CONCRETE BOX CULVERT SHALL BE IN ACCORDANCE WITH THE REQUIREMENTS OF SECTION 502 OF THE STANDARD SPECIFICATIONS EXCEPT A LAYER OF POROUS GRANULAR BACKFILL, AT LEAST 6" IN THICKNESS, SHALL BE PLACED BELOW THE ELEVATION OF THE BOTTOM OF THE BOX. THE POROUS GRANULAR BACKFILL SHALL BE PLACED TO EXTEND AT LEAST 2 FT EACH SIDE OF THE BOX. THE PRECAST CONCRETE BOX CULVERT SHALL BE LAID IN ACCORDANCE WITH THE APPLICABLE REQUIREMENTS OF ARTICLE 542.04 (d) OF THE STANDARD SPECIFICATIONS SHOP PLANS FOR THE PRECAST CONCRETE BOX CULVERT SECTIONS SHALL BE SUBMITTED IN ACCORDANCE WITH THE REQUIREMENTS OF ARTICLE 504.04 (a) OF THE STANDARD SPECIFICATIONS.

THE PRECAST CONCRETE BOX CULVERT, EXCLUDING END SECTIONS AND CULVERT DROP BOX, SHALL BE MEASURED ON A LINEAR FOOT BASIS. THE PRECAST BOX CULVERT WILL BE PAID FOR AT THE CONTRACT UNIT PRICE PER LINEAR FOOT FOR PRECAST CONCRETE BOX CULVERT OF THE SIZE SPECIFIED, AND INCLUDES TRENCH BACKFILL, AND ALL EARTH EXCAVATION, EXCEPT THE REMOVAL OF ALL UNSUITABLE MATERIAL BELOW BEDDING GRADE.

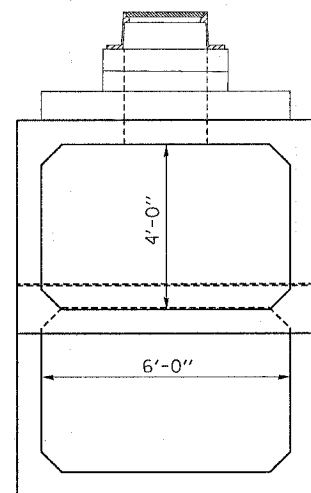
THE CULVERT DROP BOX SHALL BE PAID FOR AT THE CONTRACT UNIT PRICE PER EACH.

BILL OF MATERIALS

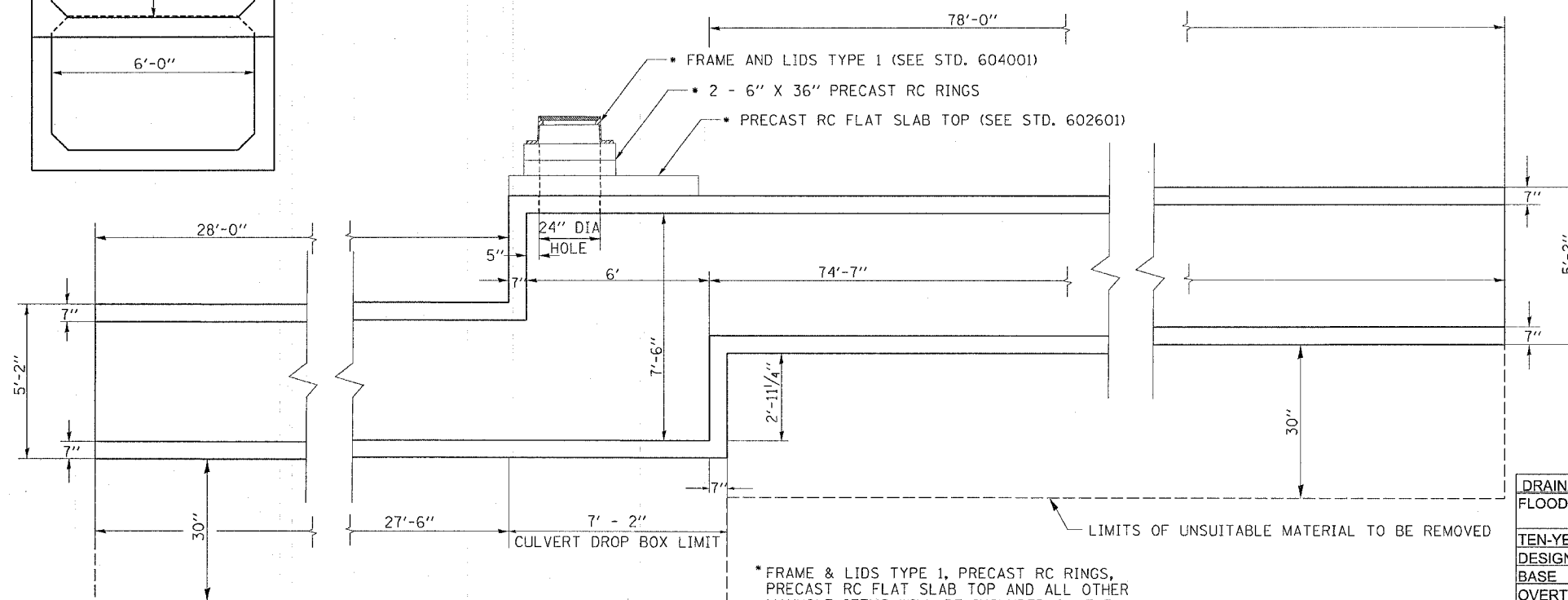
DESCRIPTION	UNIT	QTY.
Culvert Drop Box	EACH	1
Precast Concrete Box Culvert 6' x 4'	FOOT	107
Removal & Disposal of Unsuit. Matl	CU YD	118
Breaker-Run Crushed Stone	TON	194
Box Culvert End Sec. Culv. No.3	EACH	2



SECTION A-A



SECTION B-B



* FRAME & LIDS TYPE 1, PRECAST RC RINGS, PRECAST RC FLAT SLAB TOP AND ALL OTHER MANHOLE ITEMS WILL BE INCLUDED ON THE PAY ITEM COST OF CULVERT DROP BOX.

WATER WAY INFORMATION

DRAINAGE AREA = 83 Ac		LOW GRADE ELE (FT) 860.61(Exist) 860.86 (Proposed) @ Sta 518+00							
FLOOD	FREQUENCY (YEAR)	Q C.F.S.	OPENING (SQ. FT.) EXIST.	PROP.	NAT. H.W. ELEV. (Ft)	HEAD (Ft) EXIST.	PROP.	HEADWATER ELEV. (Ft) EXIST.	PROP.
TEN-YEAR	10	63	8.8	16.3	852.22	1.17	0.00	853.39	851.93
DESIGN	50	118	11.9	20.0	852.83	1.86	0.29	854.69	853.12
BASE	100	140	13.0	21.3	853.05	2.15	0.52	855.20	853.57
OVERTOP									
MAX CALC	500	191	15.0	23.6	853.44	2.85	1.36	856.29	854.80