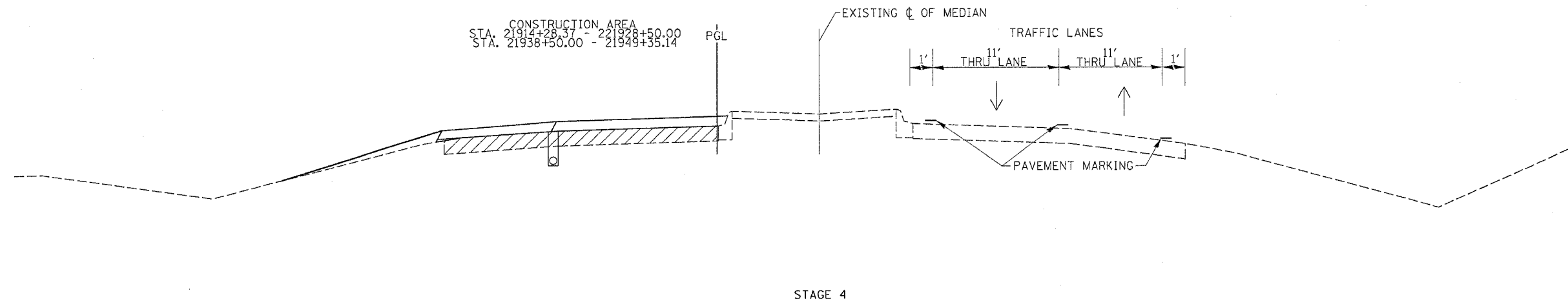


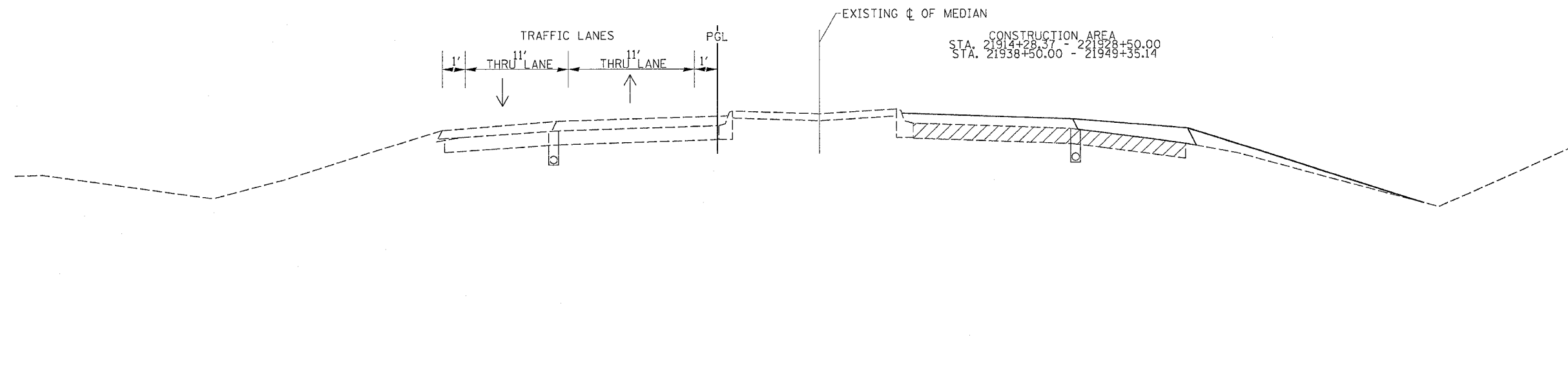
F.A.P. RTE.	SECTION	COUNTY	TOTAL SHEETS	SHEET NO.
553	120RS-3	OGLE	145	41
STA.		TO STA.		
FED. ROAD DIST. NO.	ILLINOIS	FED. AID PROJECT		

# STAGING TYPICAL SECTIONS

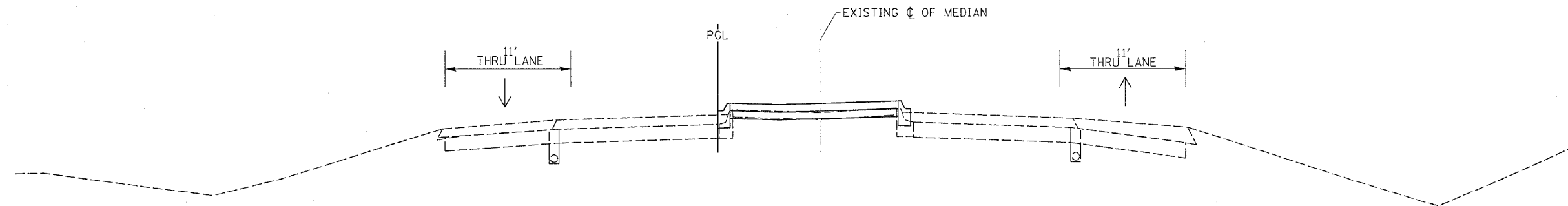
STAGE 3A & 3B



STAGE 4



STAGE 5



PLOT DATE = Mon Mar 28 14:25:19 2005  
 FILE NAME = c:\p\p\mesa\216228\015228\up.dgn  
 PLOT SCALE = 50.0000' / 1" IN.  
 REFERENCE = #REF#

