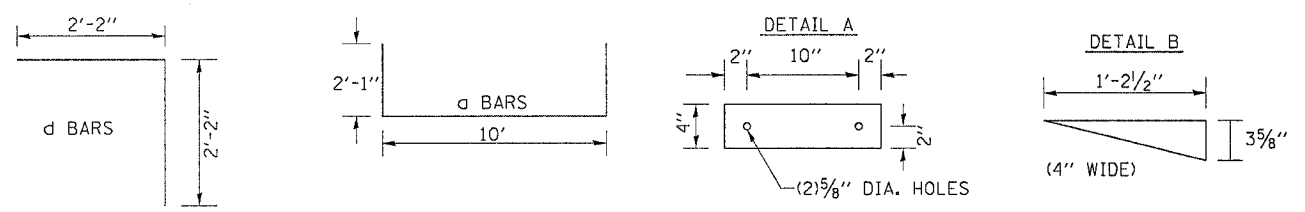
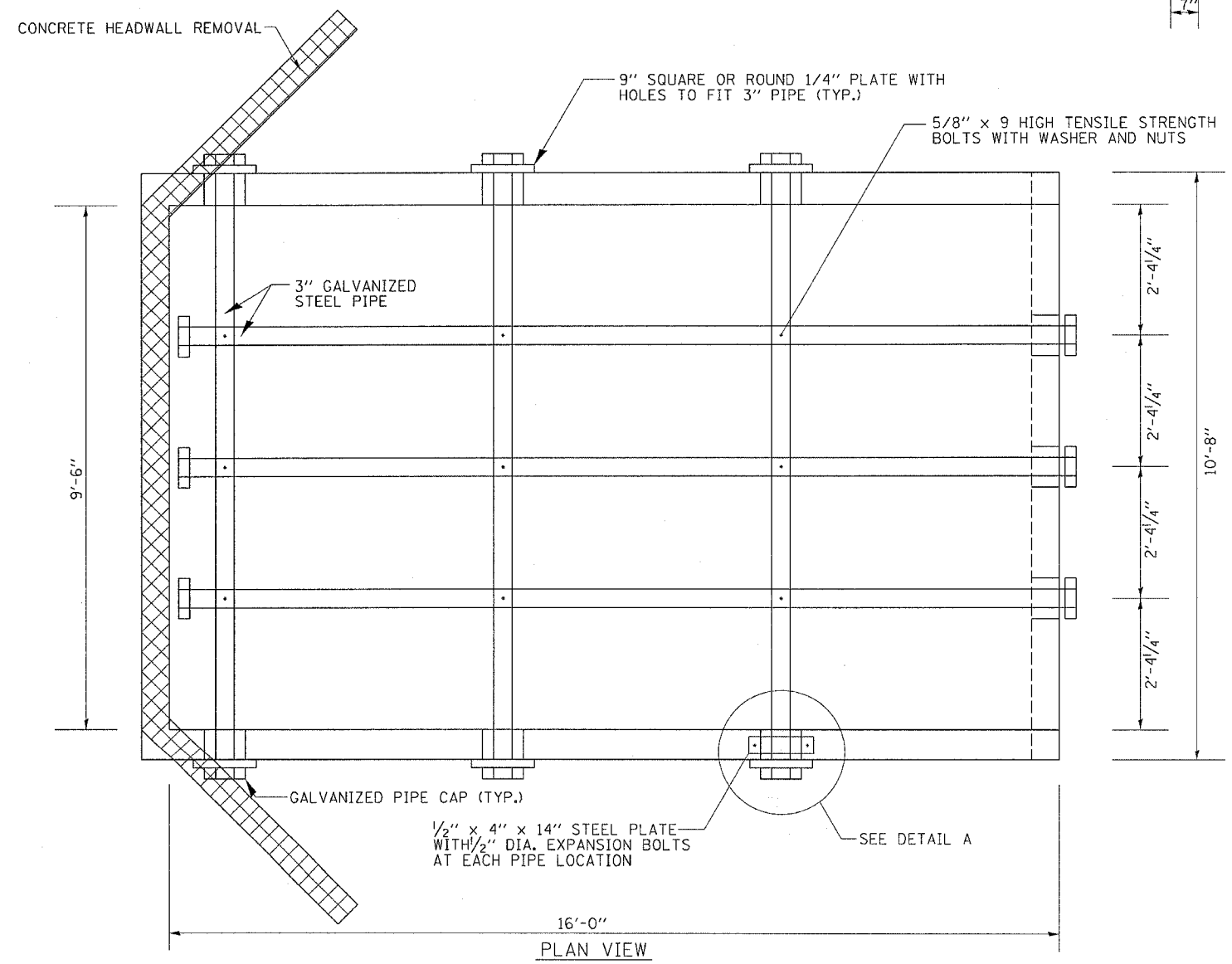
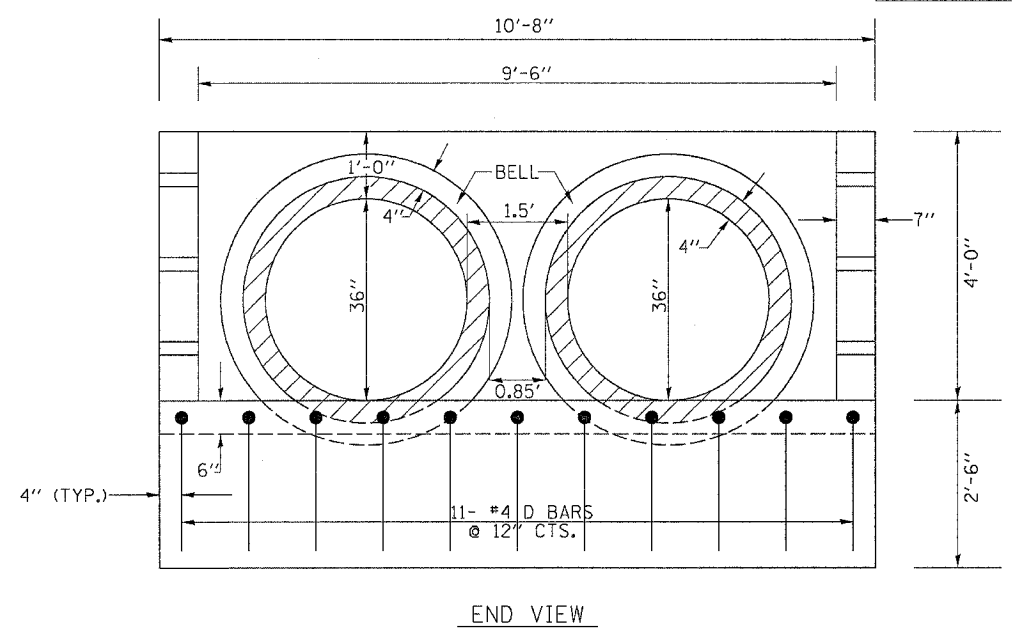
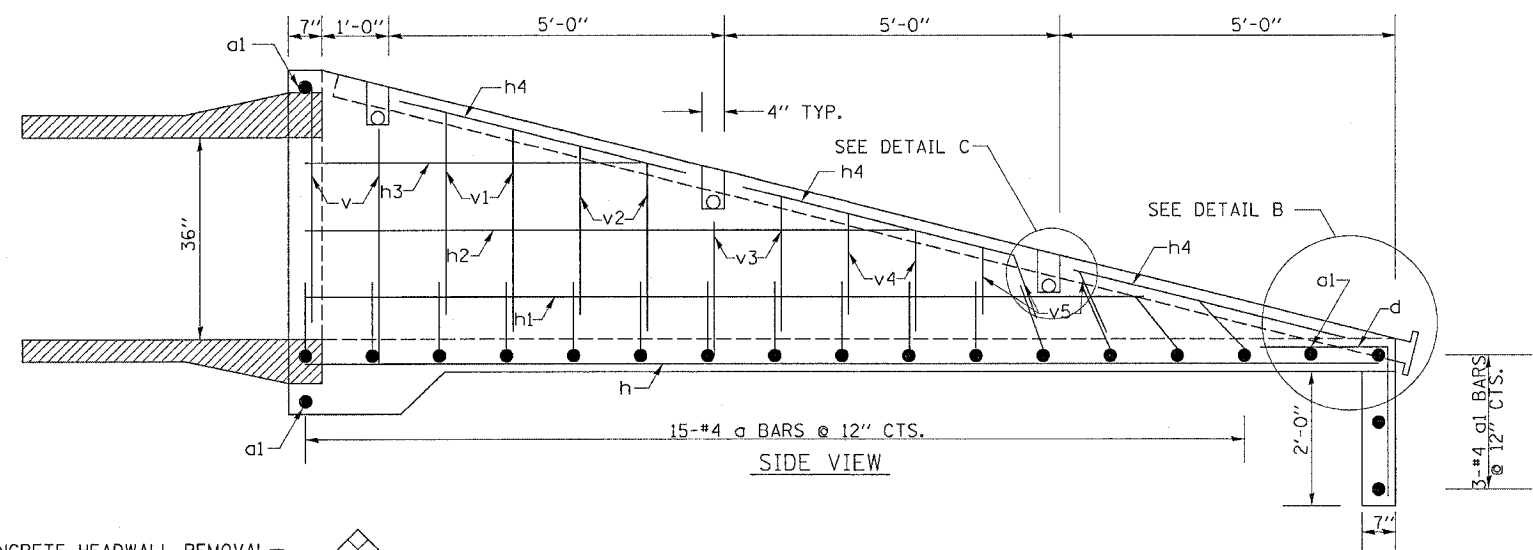


F.A.P. RTE.	SECTION	COUNTY	TOTAL SHEETS	SHEET NO.
553	12ORS-3	OGLE	145	110
STA.	TO STA.			
FED. ROAD DIST. NO.	ILLINOIS	FED. AID PROJECT		

# GRATED INLET, SPECIAL



**GENERAL NOTES:**

CLASS SI CONCRETE SHALL BE USED THROUGHOUT. EXPOSED EDGES SHALL BE BEVELED 3/4"

BOLTS, NUTS, AND WASHERS SHALL BE IN ACCORDANCE WITH ARTICLE 1006.08 OF THE STANDARD SPECIFICATIONS AND SHALL BE GALVANIZED.

REINFORCEMENT BARS SHALL CONFORM TO THE REQUIREMENTS OF AASHTO M-31 OR M-53, GRADE 60.

STEEL PLATES SHALL CONFORM TO AASHTO M-183 AND SHALL BE GALVANIZED CONFORMING TO AASHTO M-111.

STEEL PIPE SHALL CONFORM TO ASTM A-53 (TYPE E OR S), GRADE B, SCHEDULE 40 AND SHALL BE GALVANIZED CONFORMING TO AASHTO M-111.

THE CONTRACT UNIT PRICE "EACH" FOR GRATED INLET, SPECIAL SHALL INCLUDE THE EXPANSION BOLTS, GALVANIZED PIPE & CAPS, CLASS SI CONCRETE, REINFORCEMENT BARS, BOLTS, NUTS, WASHERS, INSTALLATION ON THE EXISTING CULVERT, EARTH EXCAVATION WHERE REQUIRED, AND ANY NECESSARY GRADING TO FIT INLET AS SHOWN IN THE CROSS SECTIONS OR TO SLOPE.

THE CONTRACT UNIT PRICE "EACH" FOR CONCRETE HEADWALL REMOVAL SHALL INCLUDE, WINGWALLS, FLOOR, AND FOOTING REMOVAL.

**BILL OF MATERIALS**

BAR	NO.	SIZE	LENGTH
a	15	4	14' - 2"
a1	6	4	10' - 0"
d	11	4	4' - 4"
h	11	4	16' - 0"
h1	2	4	12' - 6"
h2	2	4	9' - 0"
h3	2	4	5' - 0"
h4	6	4	4' - 2"
v	5	4	3' - 6"
v1	4	4	3' - 0"
v2	4	4	2' - 6"
v3	4	4	2' - 0"
v4	4	4	1' - 6"
v5	6	4	1' - 0"

3" GALVANIZED PIPE CAPS	EACH	12
1/4" GALVANIZED STEEL PLATE (9" NOMINAL)	EACH	6
1/2" x 4" x 14" GALVANIZED STEEL PLATE	EACH	6
5/8" x 9" GALVANIZED STEEL BOLTS	EACH	9
3" GALVANIZED PIPE (EXTRA STRONG)	3 @ 11'-2"	
	3 @ 16'-6"	
REINFORCEMENT BARS	POUNDS	417.9
CLASS SI CONCRETE	CU. YD.	5.1
EXPANSION BOLTS 1/2"	EACH	12

PLOT DATE = Mon Mar 28 14:56:47 2005  
 FILE NAME = c:\pco\mca\12082004\12082004.dgn  
 PLOT SCALE = 28.00000 / IN.  
 REFERENCE = #REF#