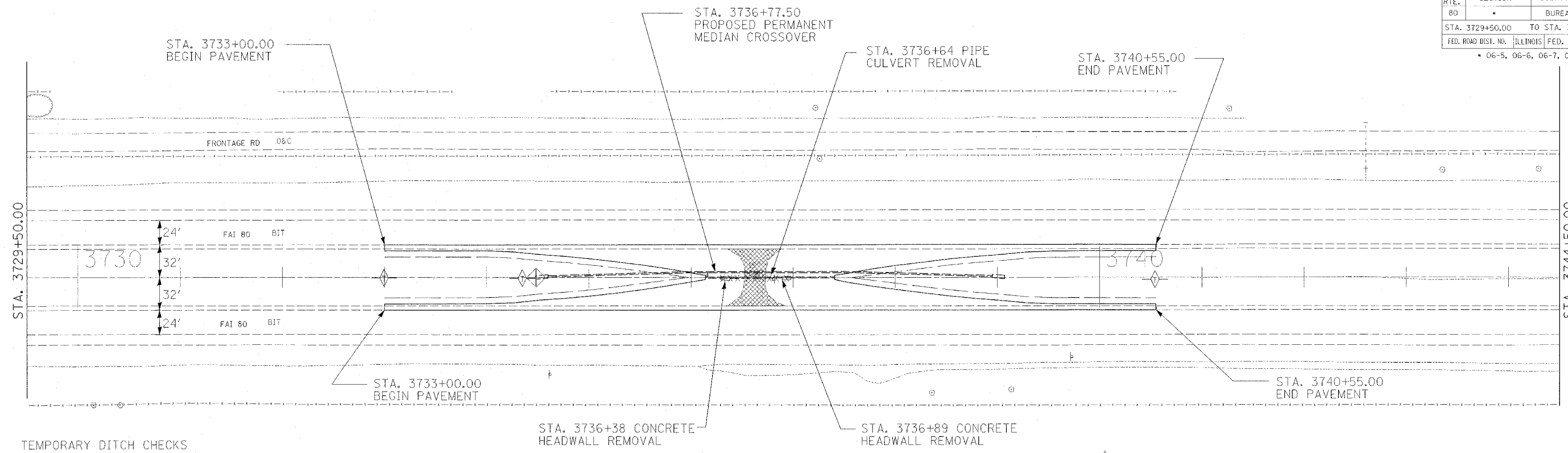
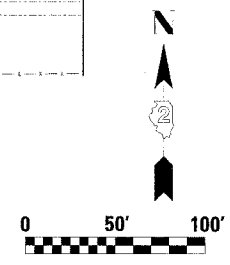


F.A.I. RTE.	SECTION	COUNTY	TOTAL SHEETS	SHEET NO.
80	*	BUREAU	60	18
STA. 3729+50.00		TO STA. 3744+50.00		
FED. ROAD DIST. NO.	ILLINOIS	FED. AID PROJECT		
* 06-5, 06-6, 06-7, 06 & 50-8M				



- TEMPORARY DITCH CHECKS
- INLET & PIPE PROTECTION
- TO BE REMOVED



PLOT DATE = #DATE#
 FILE NAME = #FILE#
 PLOT SCALE = #SCALE#

MAURER-STUTZ INC.



REVISIONS	
NAME	DATE

ILLINOIS DEPARTMENT OF TRANSPORTATION

**CROSSOVER #5
CONSTRUCTION PLAN**

SCALE: VERT. _____
 HORIZ. _____

DATE _____

DRAWN BY SAM
 CHECKED BY RJA