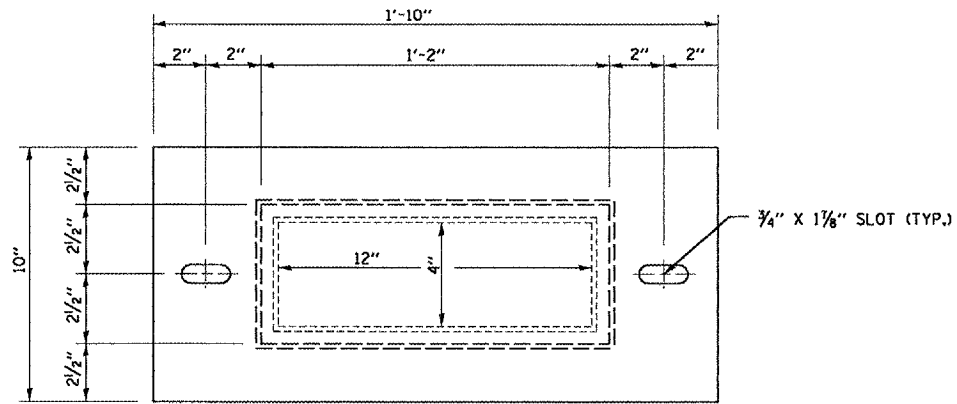
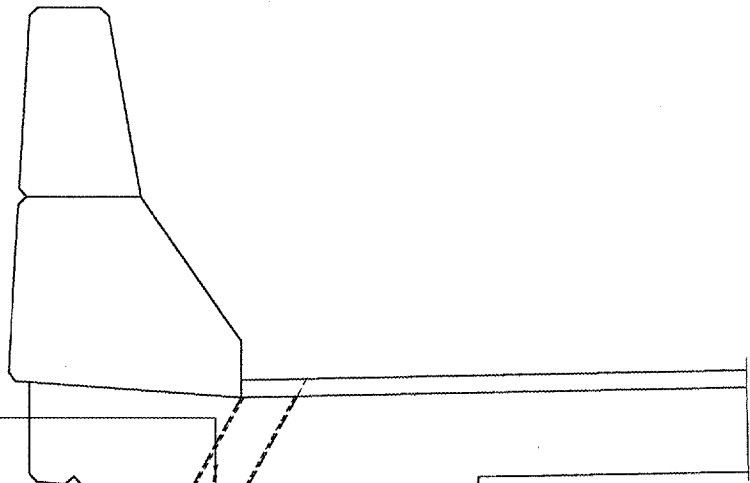


F.A.I. RTE.	SECTION	COUNTY	TOTAL SHEETS	SHEET NO.
412	(50-6VB)I-2	LASALLE	25	19
FED. ROAD DIST. NO.	ILLINOIS	STATE AID PROJECT		

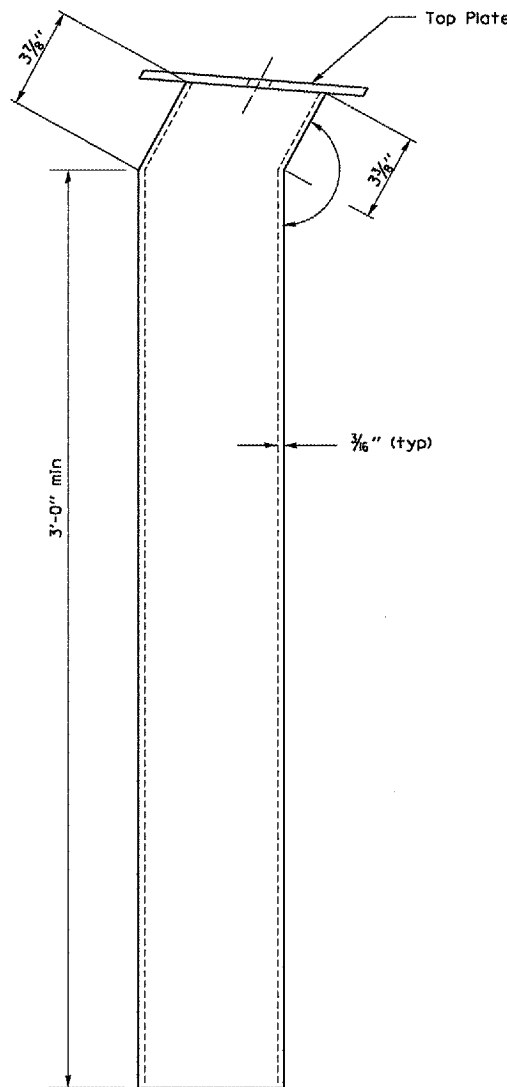


3/4" x 1 1/8" SLOT (TYP.)



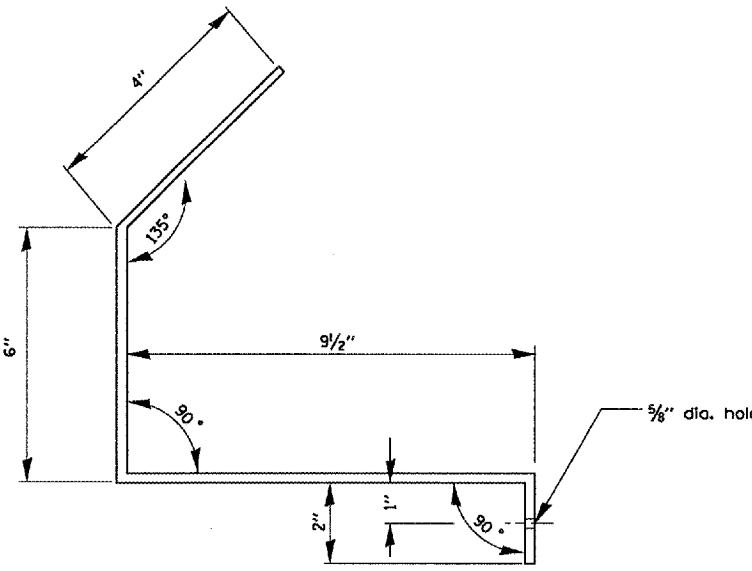
1/2" x 4" Expansion Bolt with Washer

Seal with approved Silicone Caulk



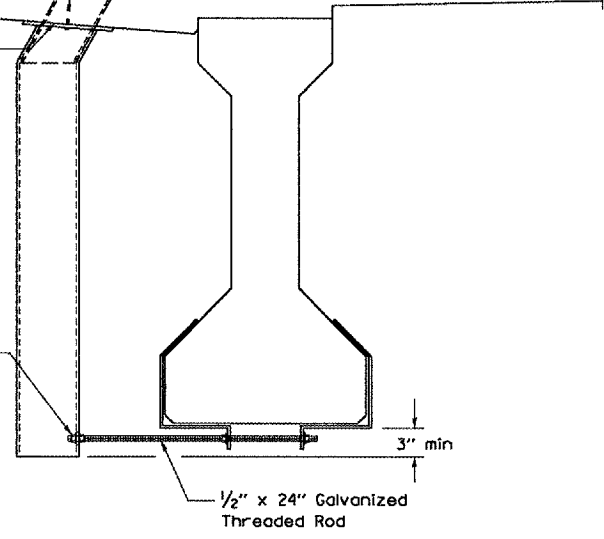
Top Plate

3/8" (typ)



5/8" dia. hole

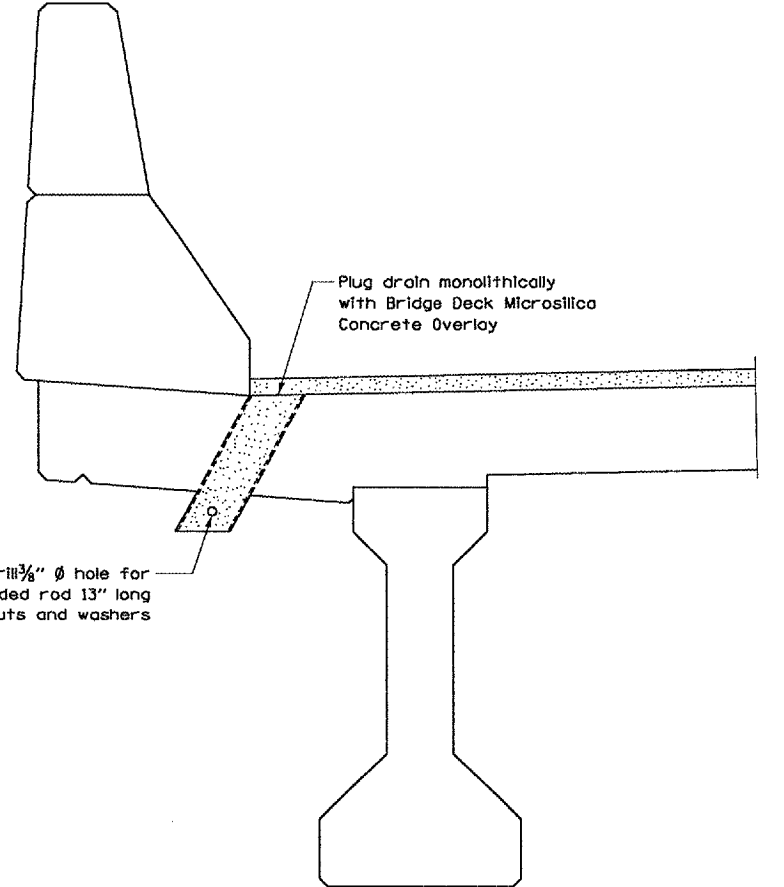
DECK DRAIN EXTENSION



Galvanized nut, lock washer & flat washer
4 each required per drain

1/2" x 24" Galvanized Threaded Rod

3" min



Plug drain monolithically with Bridge Deck Microsilica Concrete Overlay

Field drill 3/8" dia hole for 1/4" dia threaded rod 13" long with nuts and washers

PLUG DECK DRAIN

REVISIONS	
NAME	DATE

ILLINOIS DEPARTMENT OF TRANSPORTATION
DECK DRAIN DETAILS
 S.N. 050-0168 (NB)
 F.A.I. 412 OVER C. & N.W. RAILROAD
 SECTION (50-6VB)I-1
 STA. 1429 + 12.74

MARCH 21, 2005
 C:\PROJECTS\CMA\N06\CM30\DETAILS.DGN