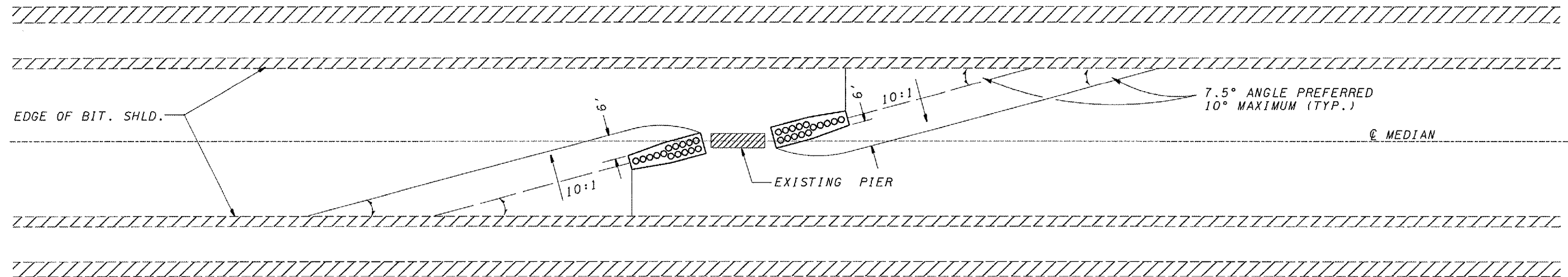


T. & E. NO.	SECTION	COUNTY	TOTAL SHEETS	SHEET NO.
VAR.	*	VAR.	14	6
STA.		TO STA.		
FED. ROAD DIST. NO.	ILLINOIS	FED. AID PROJECT		

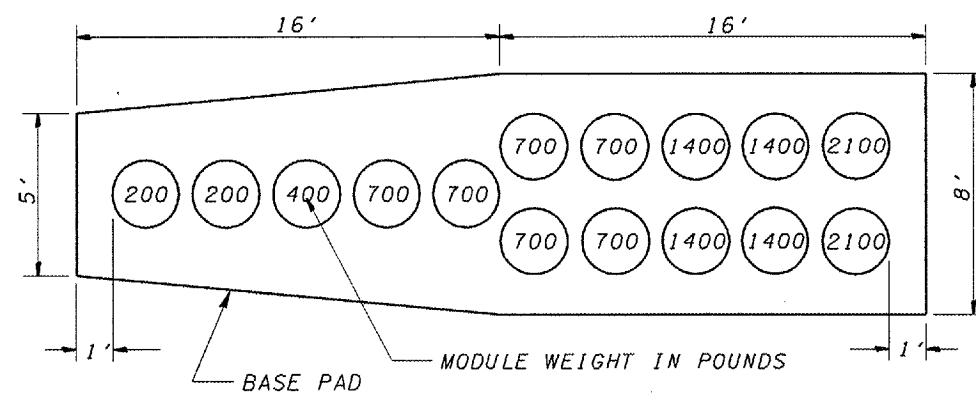
D-3 HIGHWAY DAMAGE REPAIR 2005
CONTRACT #66660



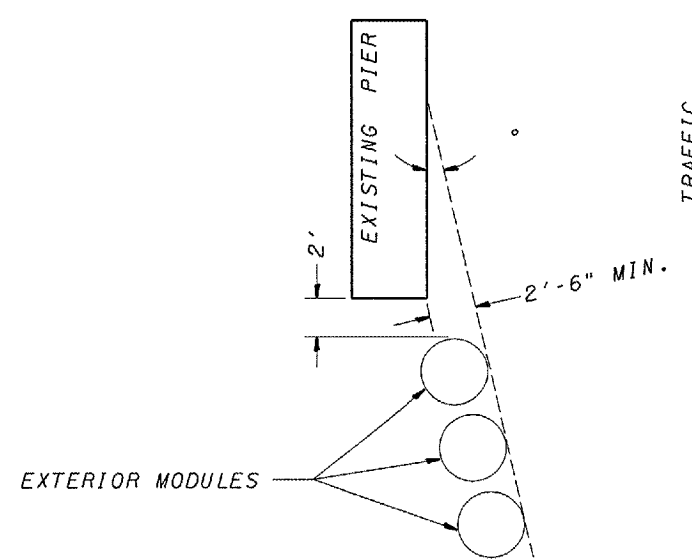
**IMPACT ATTENUATOR LAYOUT AND GRADING PLAN
FOR INFORMATION ONLY**

NOTES:

1. THE PAY ITEM "IMPACT ATTENUATORS, REPLACEMENT (NON-REDIRECTIVE), TEST LEVEL 3" HAS BEEN INCLUDED TO REPLACE INDIVIDUAL DAMAGED SAND MODULES.
2. REPLACEMENT MODULES SHALL MATCH THE KIND OF MODULES THAT ARE REMAINING.
3. IMPACT ATTENUATORS SHALL BE IN ACCORDANCE WITH THE BDE SPECIAL PROVISION FOR IMPACT ATTENUATORS, EFFECTIVE: NOVEMBER 1, 2003.
4. THIS SHEET SHOWS THE LAYOUT INFORMATION FOR REPLACEMENT OF SAND MODULES (IMPACT ATTENUATORS) AT A TYPICAL INTERSTATE LOCATION.
5. ADJACENT SAND MODULE IMPACT ATTENUATORS THAT ARE NOT DAMAGED, BUT HAVE BEEN SHIFTED LATERALLY FROM THEIR ORIGINAL POSITION SHALL BE REALIGNED OR MOVED BACK TO THEIR ORIGINAL POSITION, AS DIRECTED BY THE ENGINEER. REALIGNMENT OR MOVING OF ADJACENT UNDAMAGED MODULES SHALL NOT BE PAID FOR SEPARATELY BUT SHALL BE CONSIDERED INCLUDED IN THE COST OF REPLACEMENT. THE WORK TO REALIGN OR SHIFT UP TO 2 MODULES SHALL BE INCLUDED WITH EACH REPLACED SAND MODULE IMPACT ATTENUATOR.



**LAYOUT FOR IMPACT ATTENUATOR
(NON-REDIRECTIVE), TEST LEVEL 3
FOR INFORMATION ONLY**



**EXTERIOR MODULE LAYOUT
FOR INFORMATION ONLY**

REVISIONS	
NAME	DATE

ILLINOIS DEPARTMENT OF TRANSPORTATION
**IMPACT ATTENUATOR
INSTALLATION
DETAIL**