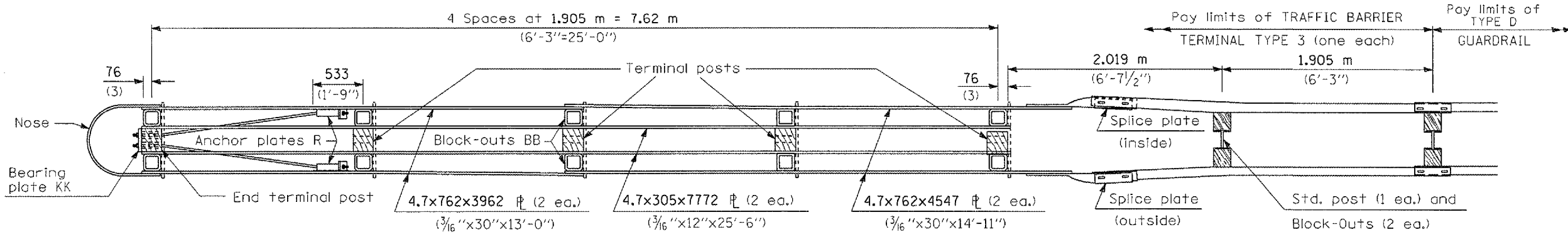
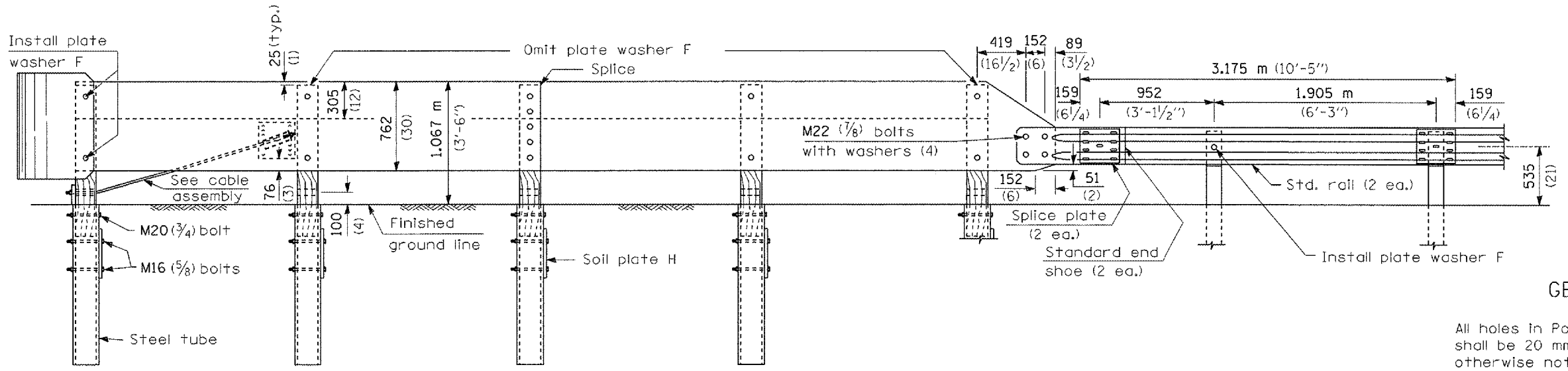


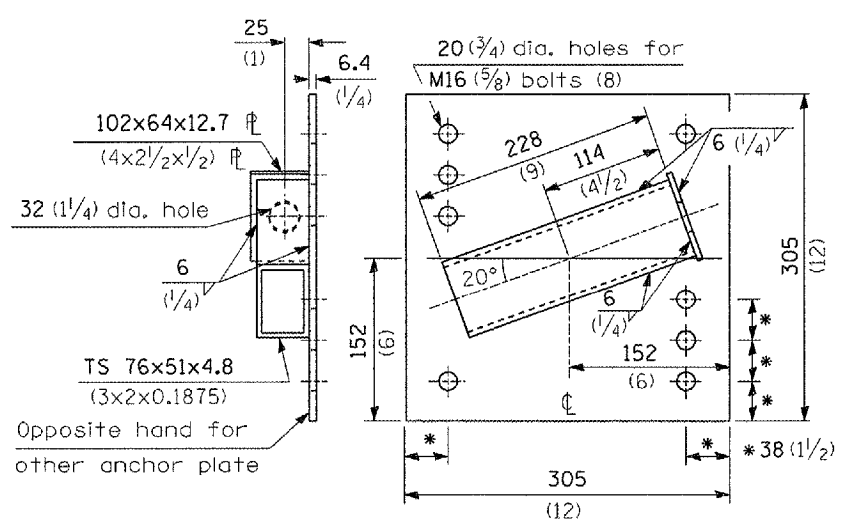
F.A. FILE	SECTION	COUNTY	TOTAL SHEETS	SHEET NO.
VAR.	VAR.	VAR.	14	10
STA. TO STA.				
ILLINOIS FED. AID PROJECT				
D-3 HIGHWAY DAMAGE REPAIR 2005				
CONTRACT #66660				



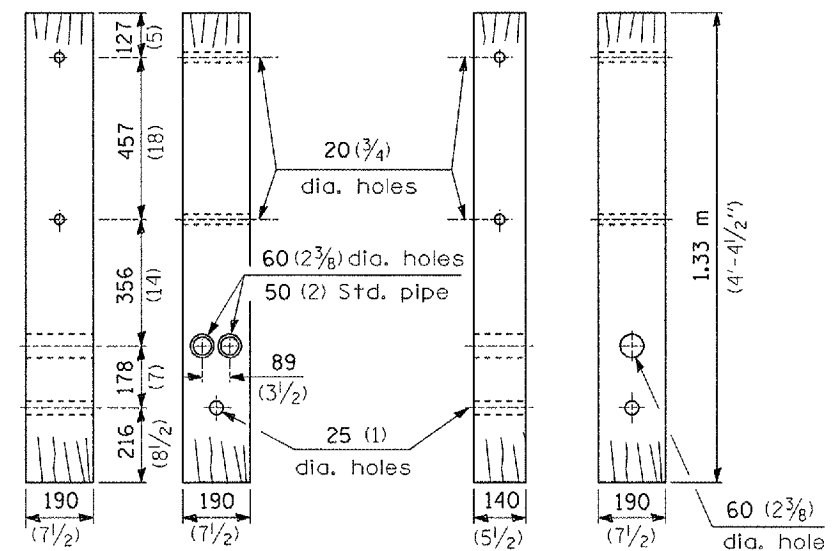
PLAN - TRAFFIC BARRIER TERMINAL TYPE 3



ELEVATION

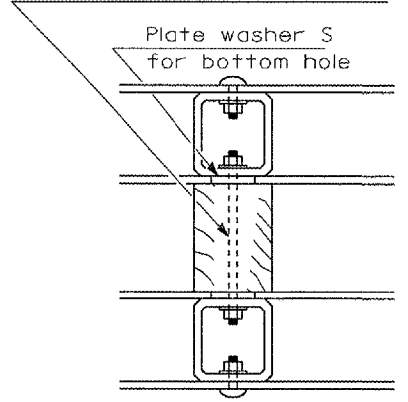


ANCHOR PLATE R
(1 ea. lt. hd. & 1 ea. rt. hd.)



END TERMINAL POST (1 ea.)
TERMINAL POST (4 ea. Type 3) (5 ea. Type 3A)

M16 (5/8) x 280 (11) threaded rod with nuts and washers (10 ea. Type 3) (12 ea. Type 3A)



TYPICAL BLOCK-OUT/POST ATTACHMENT

GENERAL NOTES

- All holes in Posts, Block-Outs and Plates shall be 20 mm (3/4") diameter unless otherwise noted.
- See Standard 630001 for details of guardrail elements not shown.
- Unless otherwise shown all bolts and nuts shall be Standard Post and Splice Bolts and Nuts (See Standard 630001).
- Block-Out AA shall be used at all locations unless otherwise noted.

DETAIL INCLUDED FOR REPAIR ONLY

All dimensions are in millimeters (inches) unless otherwise shown.

REVISIONS	
NAME	DATE

ILLINOIS DEPARTMENT OF TRANSPORTATION
TRAFFIC BARRIER TERMINAL TYPE 3 & 3A

3/31/2005 c:\pro\lects\ed0605\detra11.s.dgn