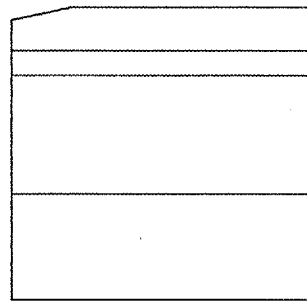
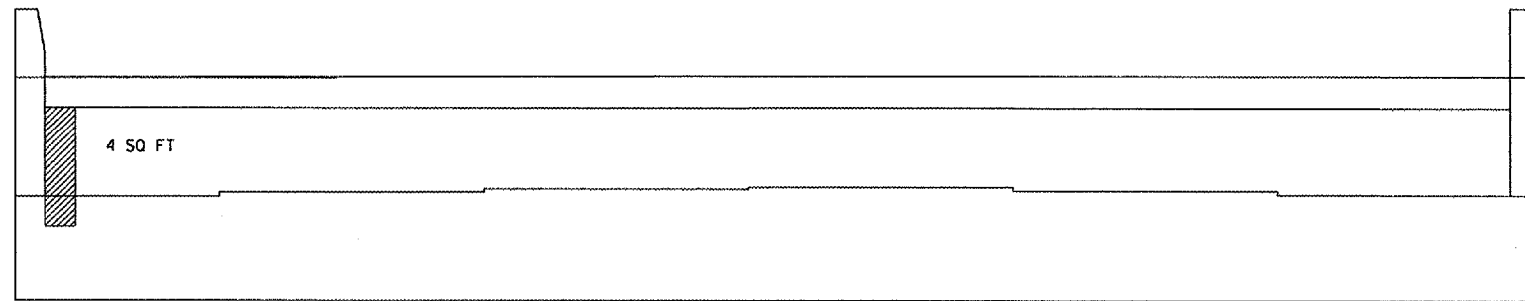


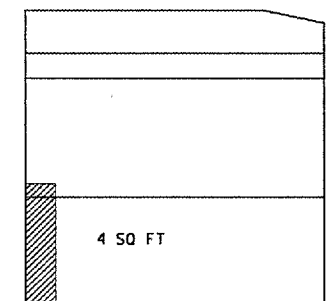
F.A.I. RTE.	SECTION	COUNTY	TOTAL SHEETS	SHEET NO.
412	(50-6VB)1	LASALLE	25	15
FED. ROAD DIST. NO. _		ILLINOIS	NON-FED. AID PROJECT	



EAST WING



ELEVATION

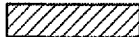


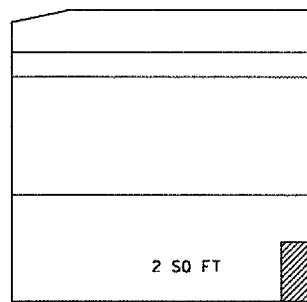
WEST WING

BILL OF MATERIAL N. ABUTMENT

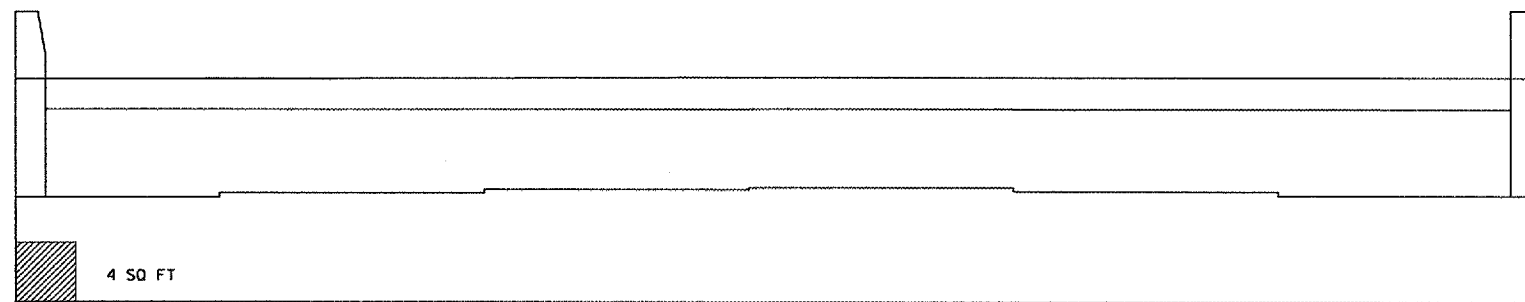
Item	Unit	Total
Formed Concrete Repair (Depth ≤ 5")	Sq. Ft.	8

NORTH ABUTMENT

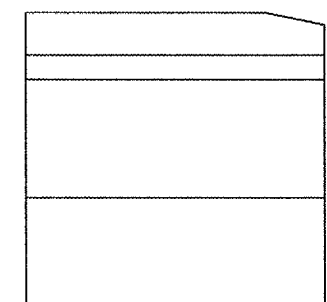
 FORMED CONCRETE REPAIR ≤ 5"



EAST WING



ELEVATION



WEST WING

BILL OF MATERIAL S. ABUTMENT

Item	Unit	Total
Formed Concrete Repair (Depth ≤ 5")	Sq. Ft.	6

SOUTH ABUTMENT

REVISIONS	
NAME	DATE

ILLINOIS DEPARTMENT OF TRANSPORTATION
**FORMED CONCRETE REPAIR
 ABUTMENT**
 S.N. 050-0167 (SB)
 F.A.I. 412 OVER C. & N.W. RAILROAD
 SECTION (50-6VB)1-1
 STA. 1429 + 12.74