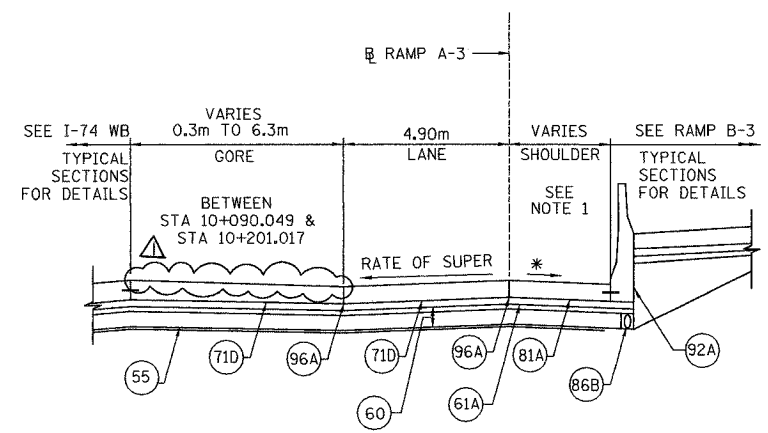
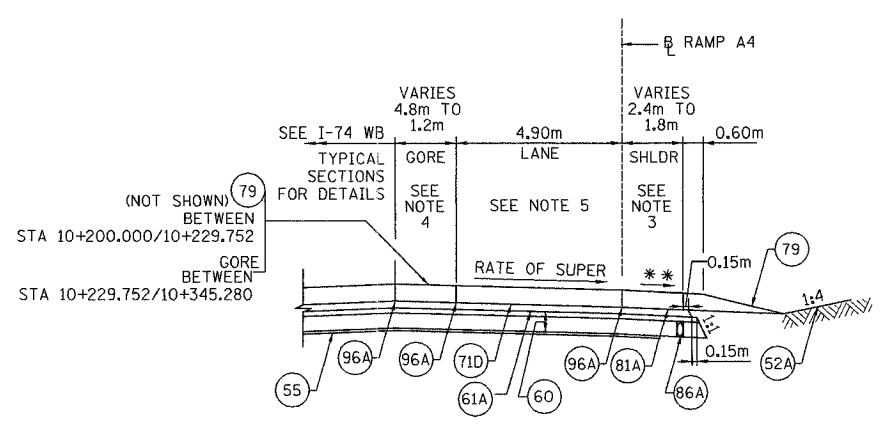


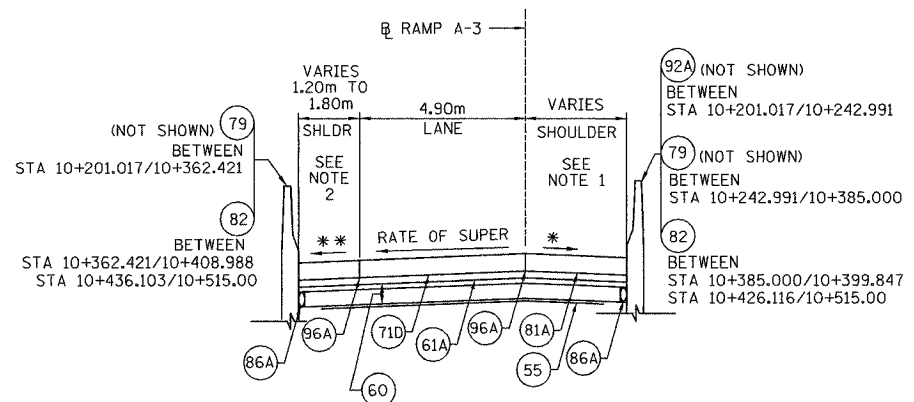
F.A. RTE.	SECTION	COUNTY	TOTAL SHEETS	SHEET NO.
74	(72-7)R-3	PEORIA	1360	37
STA.		TO STA.		
FED. ROAD DIST. NO.		ILLINOIS FED. AID PROJECT		



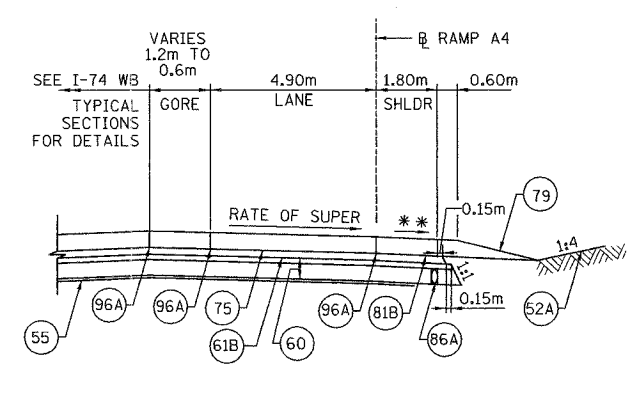
TYPICAL SECTION 1; RAMP A-3
SUPERELEVATED SECTION
STA. 10+000.000 TO STA. 10+201.017



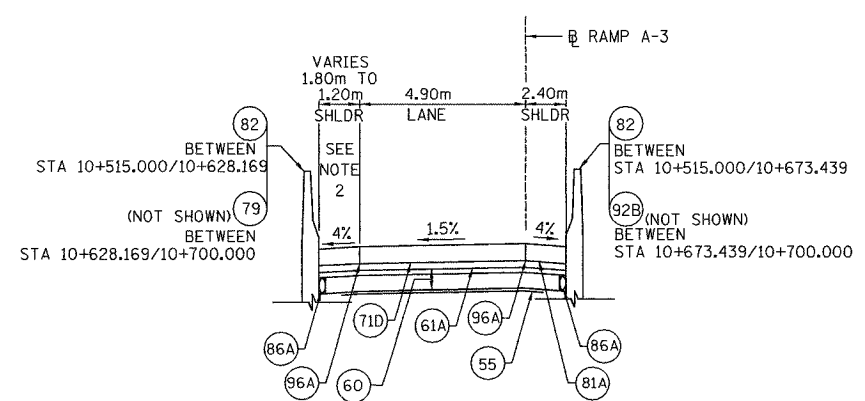
TYPICAL SECTION 1; RAMPS A-4
SUPERELEVATED SECTION
STA. 10+200.000 TO STA. 10+345.280



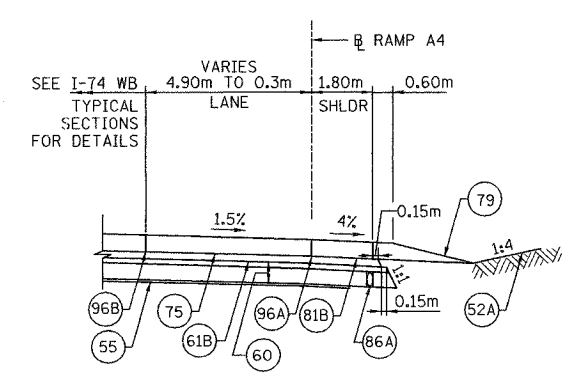
TYPICAL SECTION 2; RAMP A-3
SUPERELEVATED SECTION
STA. 10+201.017 TO STA. 10+515.000
(STA. 10+398.505 TO STA. 10+432.516-BRIDGE OMISSION)



TYPICAL SECTION 2; RAMPS A-4
SUPERELEVATED SECTION
STA. 10+345.280 TO STA. 10+375.000



TYPICAL SECTION 3; RAMP A-3
STA. 10+515.000 TO STA. 10+700.000



TYPICAL SECTION 3; RAMPS A-4
STA. 10+375.000 TO STA. 10+635.229

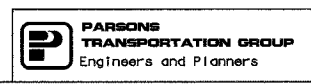
LEGEND:

- (52A) PR TOPSOIL, FURNISH AND PLACE, 100mm
- (55) PR GEOTECHNICAL FABRIC FOR GROUND STABILIZATION
- (60) PR AGGREGATE SUB-BASE, 300 mm
- (61A) PR BITUMINOUS CONCRETE BINDER COURSE SUPERPAVE IL-19.0L (LOW ESAL), 100 mm
- (71D) PR PORTLAND CEMENT CONCRETE PAVEMENT, 250 mm (JOINTED)
- (75) PR CONTINUOUSLY REINFORCED PORTLAND CEMENT CONCRETE, 290mm
- (79) PR AGGREGATE SHOULDERS, TYPE B
- (81A) PR PORTLAND CEMENT CONCRETE SHOULDERS 250 mm
- (81B) PR PORTLAND CEMENT CONCRETE SHOULDERS 290 mm
- (82) PR RETAINING WALL
- (86A) PR PIPE UNDERDRAINS 100 mm
- (86B) PR PIPE UNDERDRAINS 150 mm
- (92A) PR CONCRETE BARRIER, DOUBLE FACE
- (92B) PR CONCRETE BARRIER, SINGLE FACE
- (96A) PR LONGITUDINAL CONSTRUCTION JOINT
- (96B) PR SAWED LONGITUDINAL JOINT

NOTES:

1. RAMP A-3 RT SHOULDER WIDTHS:
BTW STA 10+000.000/10+041.534, VARIES 3.30m TO 2.83m
BTW STA 10+041.534/10+141.262, VARIES 2.83m TO 4.56m
BTW STA 10+141.262/10+242.656, VARIES 4.56m TO 3.90m
BTW STA 10+242.656/10+440.116, CONSTANT 1.8m
BTW STA 10+440.116/10+475.116, VARIES 1.8m TO 2.4m
BTW STA 10+475.116/10+700.000, CONSTANT 2.4m
2. RAMP A-3 LT SHOULDER WIDTHS:
BTW STA 10+201.017/10+449.394, CONSTANT 1.2m
BTW STA 10+449.394/10+484.393, VARIES 1.2m TO 1.8m
BTW STA 10+484.393/10+628.169, CONSTANT 1.8m
BTW STA 10+628.169/10+663.169, VARIES 1.8m TO 1.2m.
BTW STA 10+663.169/10+700.000, CONSTANT 1.2m
3. RAMP A-4 RT SHOULDER WIDTHS:
BTW STA 10+200.000/10+210.000, VARIES 2.4m TO 1.8m
BTW STA 10+210.000/10+635.229, CONSTANT 1.8m
4. RAMP A-4 LT SHOULDER WIDTHS:
BTW STA 10+200.000/10+229.752, CONSTANT 1.2m
BTW STA 10+229.752/10+375.283, GORE
5. RAMP A-4 SUPERELEVATION TRANSITION:
BTW STA 10+245 (NOT SHOWN) TO STA 10+375

* 4% OR 8% MINUS THE RATE OF SUPER, WHICHEVER IS MINIMUM.
** 4% MINIMUM OR RATE OF SUPER, WHICHEVER IS GREATER.



REVISIONS	
NAME	DATE
ADDENDUM #1	MAY 27 2005
REVISED	
SHEET	

ILLINOIS DEPARTMENT OF TRANSPORTATION
TYPICAL SECTIONS
FAI ROUTE 74 (I-74) (WB)
PROPOSED RAMPS A-3 & A-4
DRAWN BY CADD
CHECKED BY MKW
DATE 11/12/04