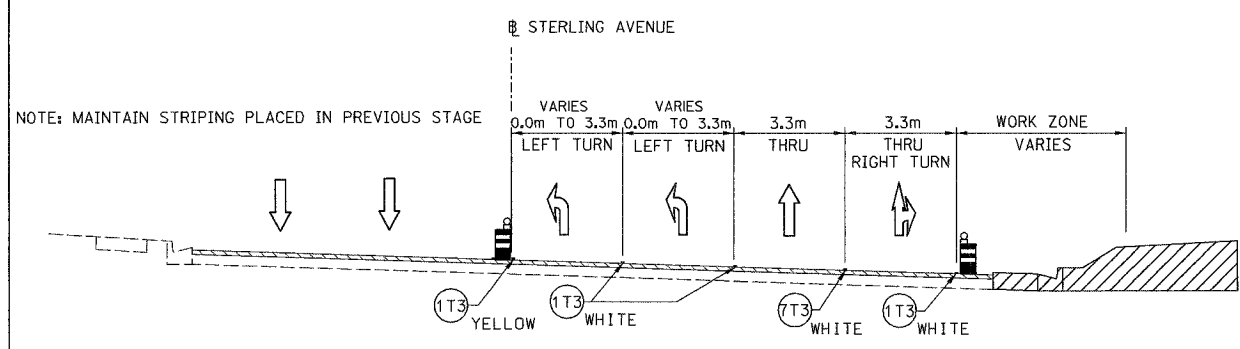
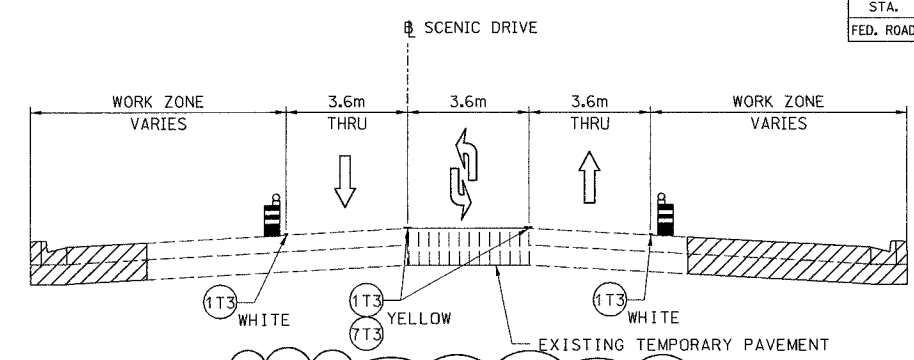


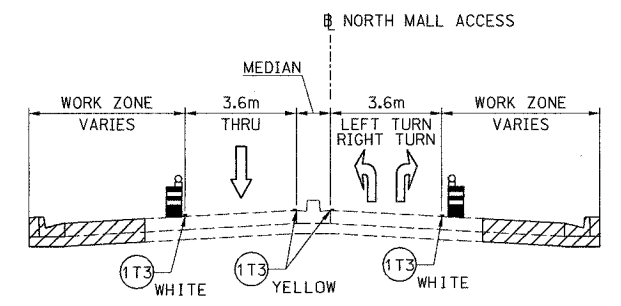
F.A. RTE.	SECTION	COUNTY	TOTAL SHEETS	SHEET NO.
74	(72-7)R-3	PEORIA	1360	151
STA.		TO STA.		
FED. ROAD DIST. NO.		ILLINOIS FED. AID PROJECT		



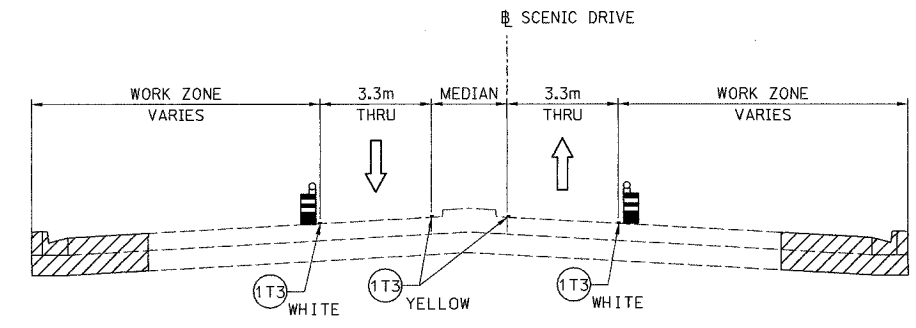
TYPICAL SECTION 4; STERLING AVENUE  
STA. 100+910 TO STA. 101+010



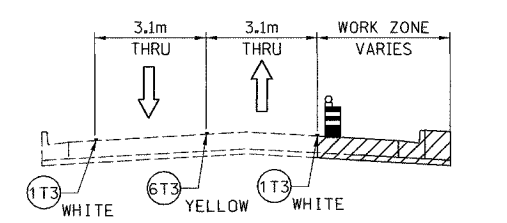
TYPICAL SECTION 5; SCENIC DRIVE  
STA. 10+050 TO STA. 10+225  
(SOUTH OF WAR MEMORIAL DRIVE)



TYPICAL SECTION 7; NORTH MALL ACCESS  
STA. 9+926 TO STA. 9+993



TYPICAL SECTION 6; SCENIC DRIVE  
STA. 10+247 TO STA. 10+291  
(NORTH OF WAR MEMORIAL DRIVE)



TYPICAL SECTION 8; BRANDYWINE DRIVE

LEGEND

- TEMPORARY PAVEMENT
- CONSTRUCTION THIS STAGE
- CONSTRUCTION IN PROCEEDING STAGES
- DIRECTION OF TRAFFIC
- PLASTIC DRUM LIGHTED WITH STEADY BURNING MONODIRECTIONAL LIGHT AT 15.0m O.C. (TYP)
- TEMPORARY CONCRETE BARRIER

TEMPORARY PAVEMENT MARKING TAPE, TYPE III

- 100 mm SOLID
- 100 mm SOLID, WET
- 100 mm DOUBLE SOLID
- 100 mm SKIP DASH

REVISIONS	
NAME	DATE
ADDENDUM #1	MAY 27 2005

ILLINOIS DEPARTMENT OF TRANSPORTATION  
MOT TYPICAL SECTIONS  
WAR MEMORIAL DRIVE  
STAGE 3-2  
DRAWN BY CADD  
CHECKED BY RSC  
DATE 11/12/04

