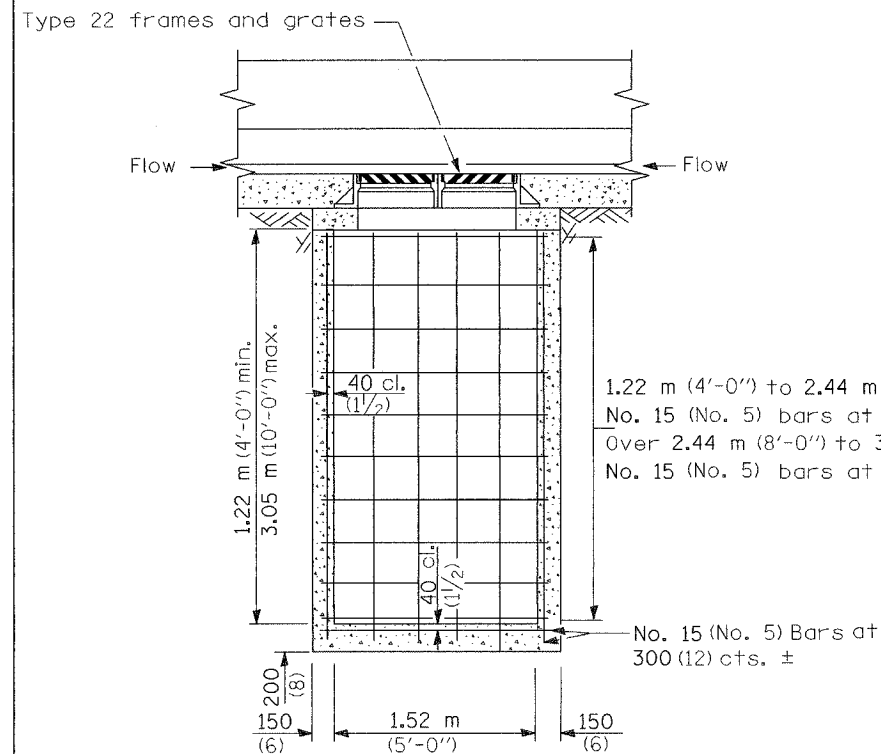
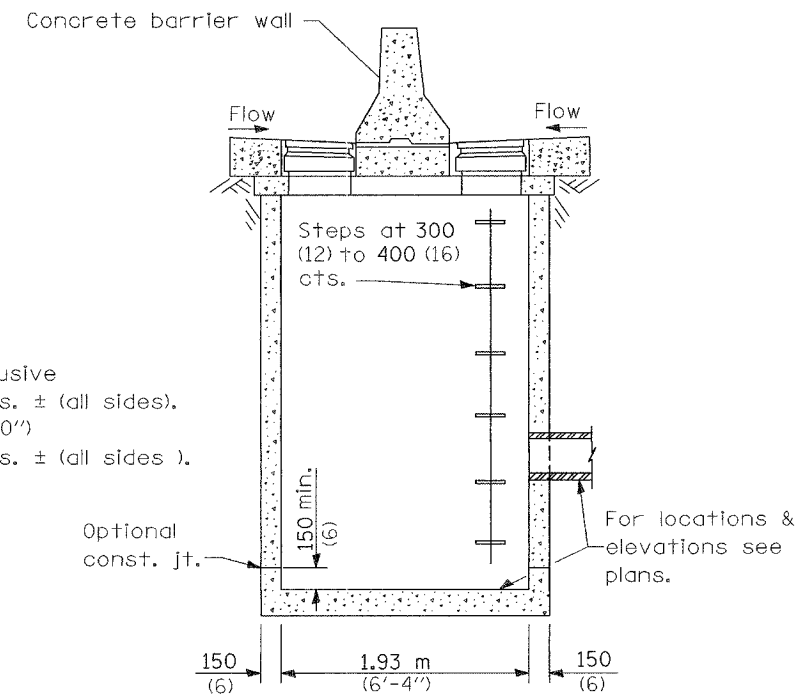


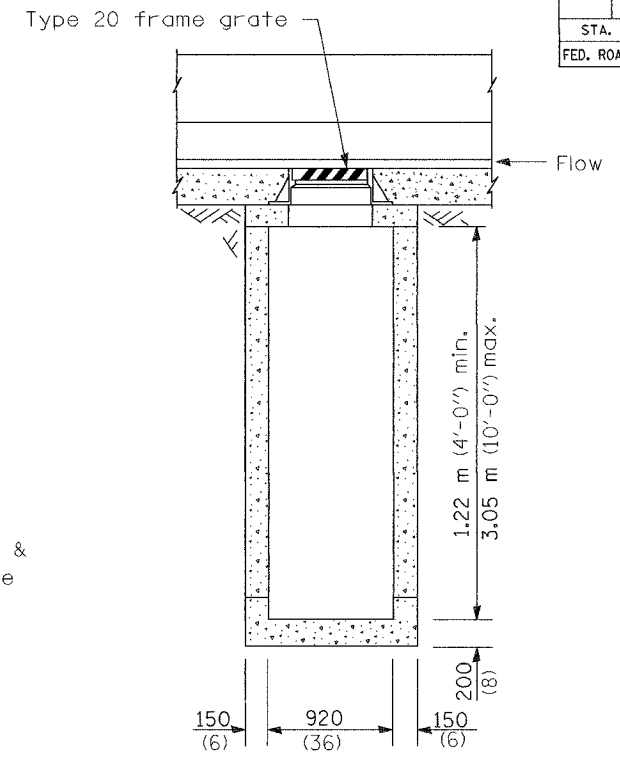
F.A. RTE.	SECTION	COUNTY	TOTAL SHEETS	SHEET NO.
			1360	859A
STA.		TO STA.		
FED. ROAD DIST. NO.		ILLINOIS FED. AID PROJECT		



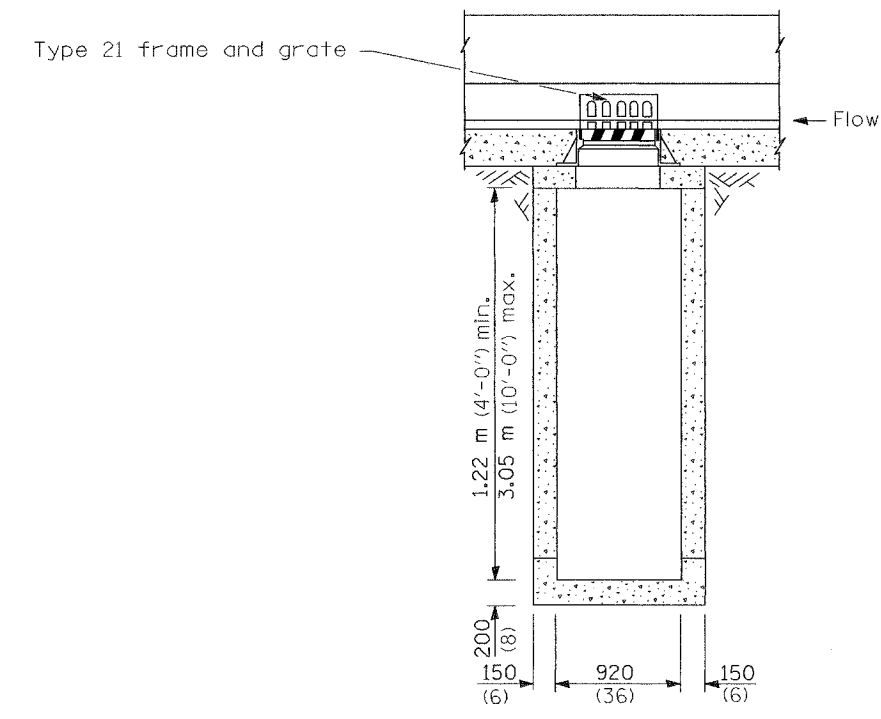
FRONT ELEVATION - TYPE 2



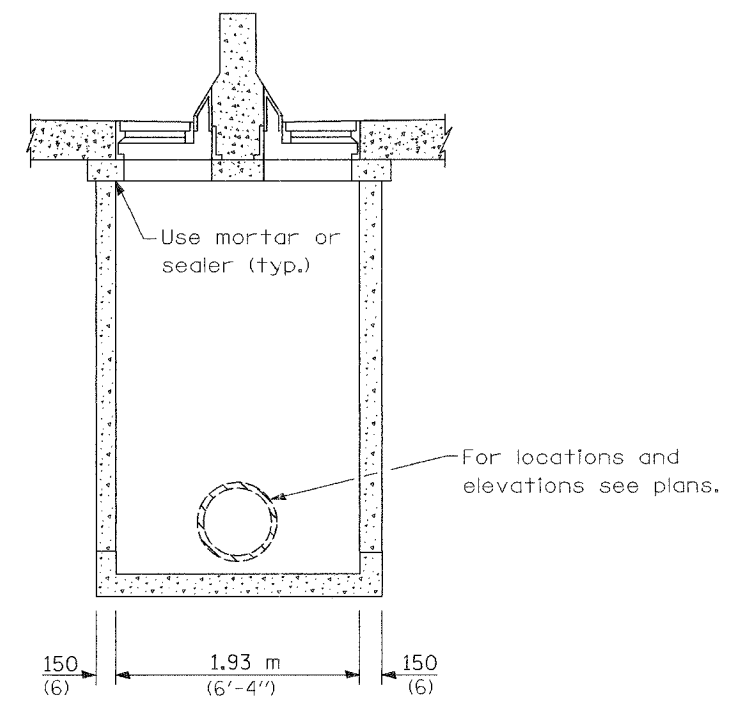
SIDE ELEVATION - TYPE 1 & 2



FRONT ELEVATION - TYPE 1



FRONT ELEVATION - TYPE 3



SIDE ELEVATION - TYPE 3

GENERAL NOTES

The reinforcement shown in the front elevation of the type 2 is typical for both elevations of all types.

See Standard 602701 for details of steps.

Exposed edges shall be beveled 19 mm (3/4").

All dimensions are in millimeters (inches) unless otherwise shown.

REVISIONS		ILLINOIS DEPARTMENT OF TRANSPORTATION 2001-74 PROJECT STANDARD 602102-I74 DRAINAGE STRUCTURES TYPES 1, 2 & 3 (Sheet 1 of 2)
NAME	DATE	
REVISION SHEET	MAY 27 2001	DRAWN BY DATE 3/31/04
		CHECKED BY