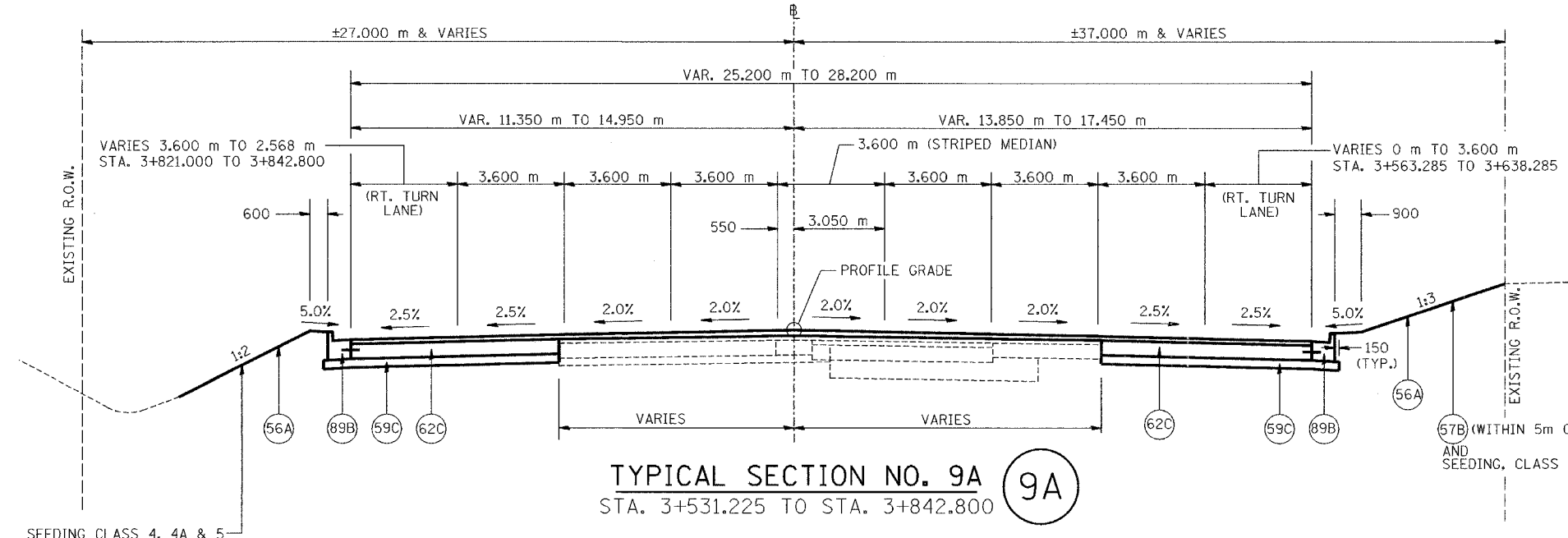


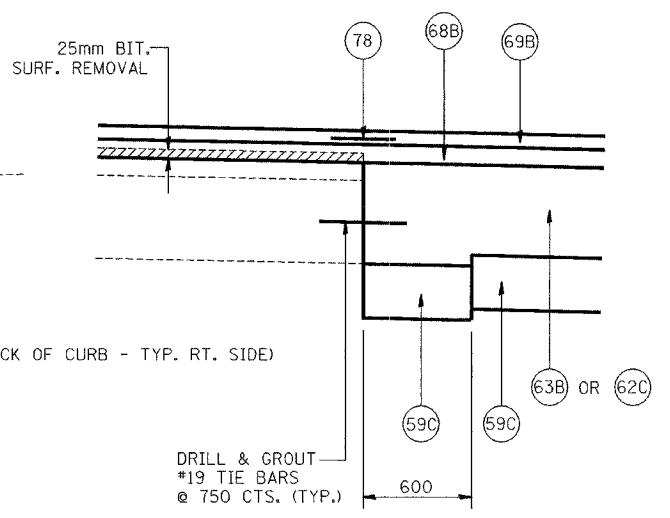
I:\projects\101151\101151.dwg 4/26/2005 11:30:27 PM

F.A.I. RTE.	SECTION	COUNTY	TOTAL SHEETS	SHEET NO.
74	*	TAZEWELL	1366	83
STA.		TO STA.		
FED. ROAD DIST. NO.		ILLINOIS FED. AID PROJECT		

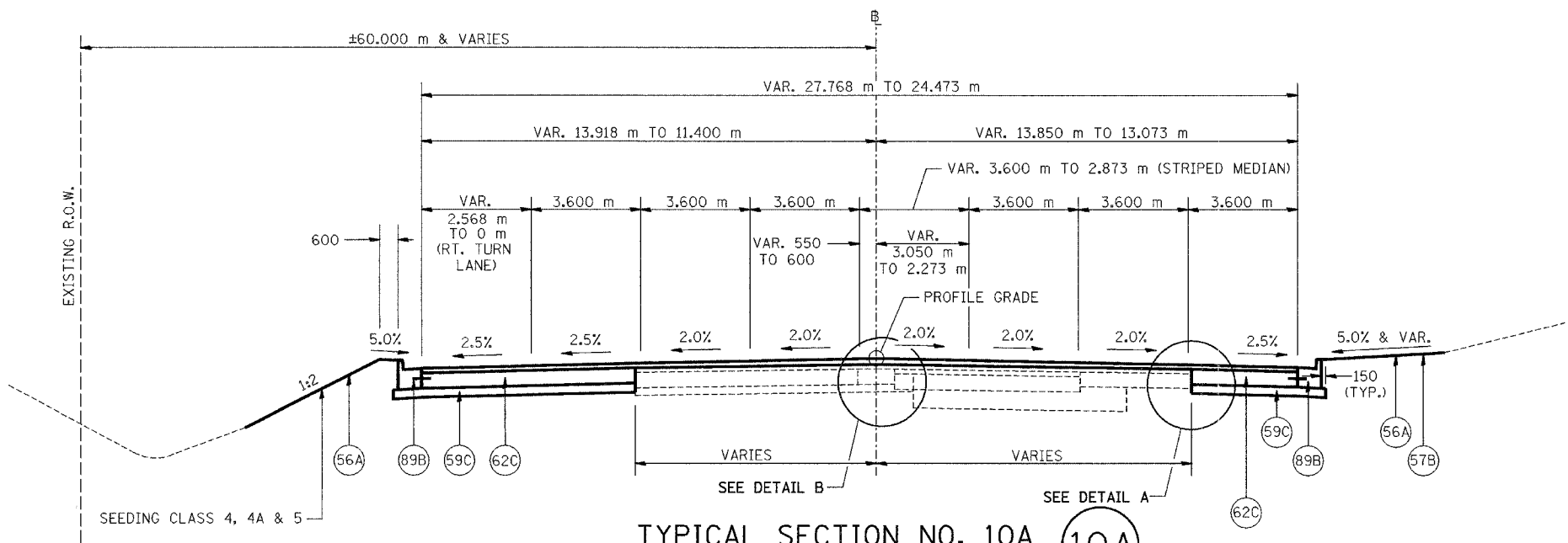
*(90-11)R-2;90(13,14,14-1)R-1



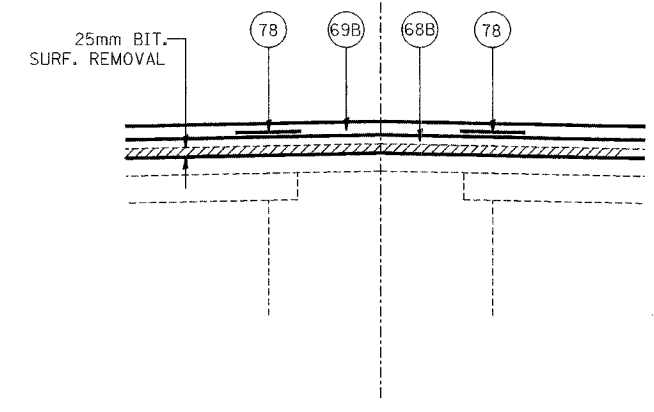
TYPICAL SECTION NO. 9A
 STA. 3+531.225 TO STA. 3+842.800



DETAIL A
 (TYPICAL AT EDGE OF EXISTING REMAINING PAVEMENT)



TYPICAL SECTION NO. 10A
 STA. 3+842.800 TO STA. 3+896.000



DETAIL B
 (TYPICAL AT EDGE OF EXISTING REMAINING CONCRETE MEDIAN)

LEGEND		
(56A) PR FURNISH AND PLACE TOP SOIL 100 mm	(68B) PR BITUMINOUS CONCRETE BINDER COURSE, SUPERPAVE, IL-19.0, N70, 50 mm (MIN.)	(78) PR STRIP REFLECTIVE CRACK CONTROL TREATMENT
(57B) PR SODDING, SALT TOLERANT	(69B) PR BITUMINOUS CONCRETE SURFACE COURSE, SUPERPAVE, MIX "D", N70, 38 mm	(89A) PR COMBINATION CONCRETE CURB AND GUTTER, TYPE B-15.30
(59B) PR SUB-BASE GRANULAR MATERIAL, TYPE A 300 mm	(71D) PR PORTLAND CEMENT CONCRETE PAVEMENT 250 mm (JOINTED)	(89B) PR COMBINATION CONCRETE CURB AND GUTTER, TYPE B-15.60
(59C) PR SUB-BASE GRANULAR MATERIAL, TYPE B 150 mm		(90A) PR CONCRETE MEDIAN, TYPE SB-15.30
(62C) PR PORTLAND CEMENT CONCRETE BASE COURSE 250 mm		(96A) PR LONGITUDINAL CONSTRUCTION JOINT
(63B) PR PORTLAND CEMENT CONCRETE BASE COURSE WIDENING 250 mm		
(64E) PR BITUMINOUS BASE COURSE 250 mm		

NOTES: ALL DIMENSIONS ARE IN MILLIMETERS (mm) UNLESS OTHERWISE STATED.

ELIMINATED PR PAVEMENT FABRIC

REVISIONS	
NAME	DATE
▲	MAY 27 2005



ILLINOIS DEPARTMENT OF TRANSPORTATION
 FAI ROUTE 74 (I-74)
PROPOSED TYPICAL SECTIONS
 ILL. 116 - U.S. 150 - MAIN ST.
 NUMBERS 9A & 10A
 DRAWN BY: MLS
 CHECKED BY: JJM
 DATE: 4-21-05