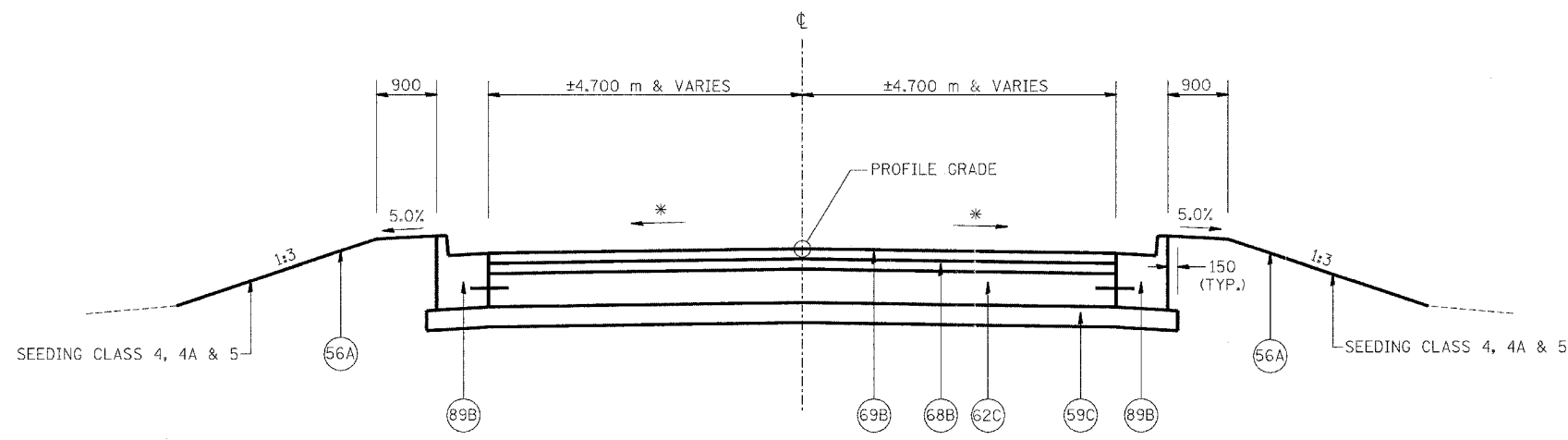


F.A.I. RTE.	SECTION	COUNTY	TOTAL SHEETS	SHEET NO.
74	*	TAZEWELL	1366	87
STA.	TO STA.			
FED. ROAD DIST. NO.	ILLINOIS FED. AID PROJECT			

*(90-11)R-2;90(13,14,14-1)R-1



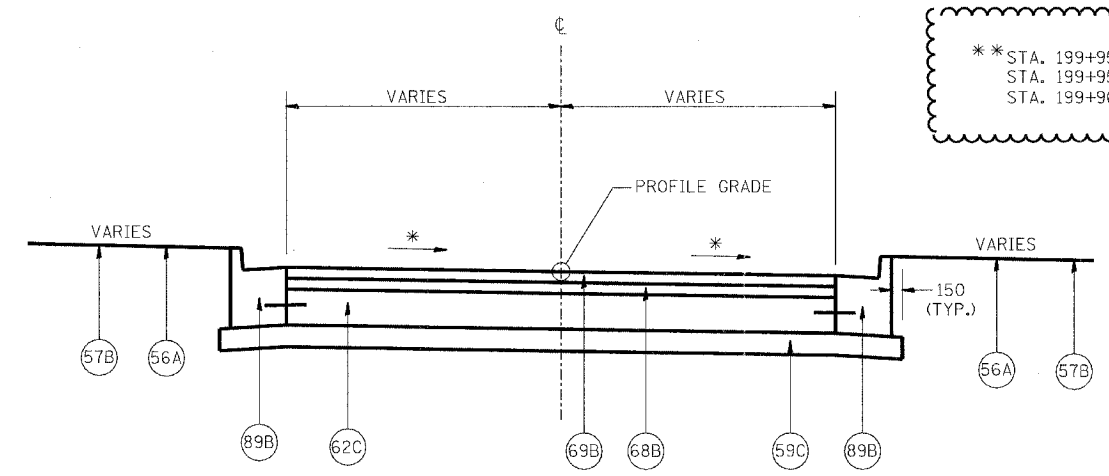
TYPICAL SECTION

(NATIONAL STREET)

** (STA. 199+958.700 TO 199+986.700)

* SLOPE VARIES (MATCH EXIST. PVMT. SLOPE AT END OF PROP. PVMT.) (SEE INTERSECTION DETAILS)

** STA. 199+958.700 TO 199+965.700 INCIDENTAL BIT. SURF. (50mm)
 STA. 199+958.700 TO 199+960.200 PCC SURF. REMOVAL - BUTT JOINT
 STA. 199+960.200 TO 199+965.700 BIT. SURF. REMOVAL (50mm)



TYPICAL SECTION

(CATERPILLAR TRAIL @ MAIN ST.)
 (STA. 200+013.300 TO 200+021.957)

* SLOPE VARIES (MATCH EXIST. PVMT. SLOPE AT END OF PROP. PVMT.) (SEE INTERSECTION DETAILS)

NOTES: ALL DIMENSIONS ARE IN MILLIMETERS (mm) UNLESS OTHERWISE STATED.

△ -ELIMINATED PR PAVEMENT FABRIC
 -ADDED NOTE TO TYPICAL SECTION

SHEET 2 OF 5

LEGEND			
56A	PR FURNISH AND PLACE TOP SOIL 100 mm	78	PR STRIP REFLECTIVE CRACK CONTROL TREATMENT
57B	PR SODDING, SALT TOLERANT	89A	PR COMBINATION CONCRETE CURB AND GUTTER, TYPE B-15.30
59B	PR SUB-BASE GRANULAR MATERIAL, TYPE A 300 mm	89B	PR COMBINATION CONCRETE CURB AND GUTTER, TYPE B-15.60
59C	PR SUB-BASE GRANULAR MATERIAL, TYPE B 150 mm	90A	PR CONCRETE MEDIAN, TYPE SB-15.30
62C	PR PORTLAND CEMENT CONCRETE BASE COURSE 250 mm	96A	PR LONGITUDINAL CONSTRUCTION JOINT
63B	PR PORTLAND CEMENT CONCRETE BASE COURSE WIDENING 250 mm		
64E	PR BITUMINOUS BASE COURSE 250 mm		
68B	PR BITUMINOUS CONCRETE BINDER COURSE, SUPERPAVE, IL-19.0, N70, 50 mm		
69B	PR BITUMINOUS CONCRETE SURFACE COURSE, SUPERPAVE, MIX "D", N70, 38 mm		
71D	PR PORTLAND CEMENT CONCRETE PAVEMENT 250 mm (JOINTED)		



REVISIONS	
NAME	DATE
△	MAY 27 2005

ILLINOIS DEPARTMENT OF TRANSPORTATION
 FAI ROUTE 74 (I-74)
PROPOSED TYPICAL SECTIONS
 SIDE RD.
 NATIONAL STREET &
 CATERPILLAR TRAIL @ MAIN ST.
 DRAWN BY MLS
 CHECKED BY JJM
 DATE 4-21-05