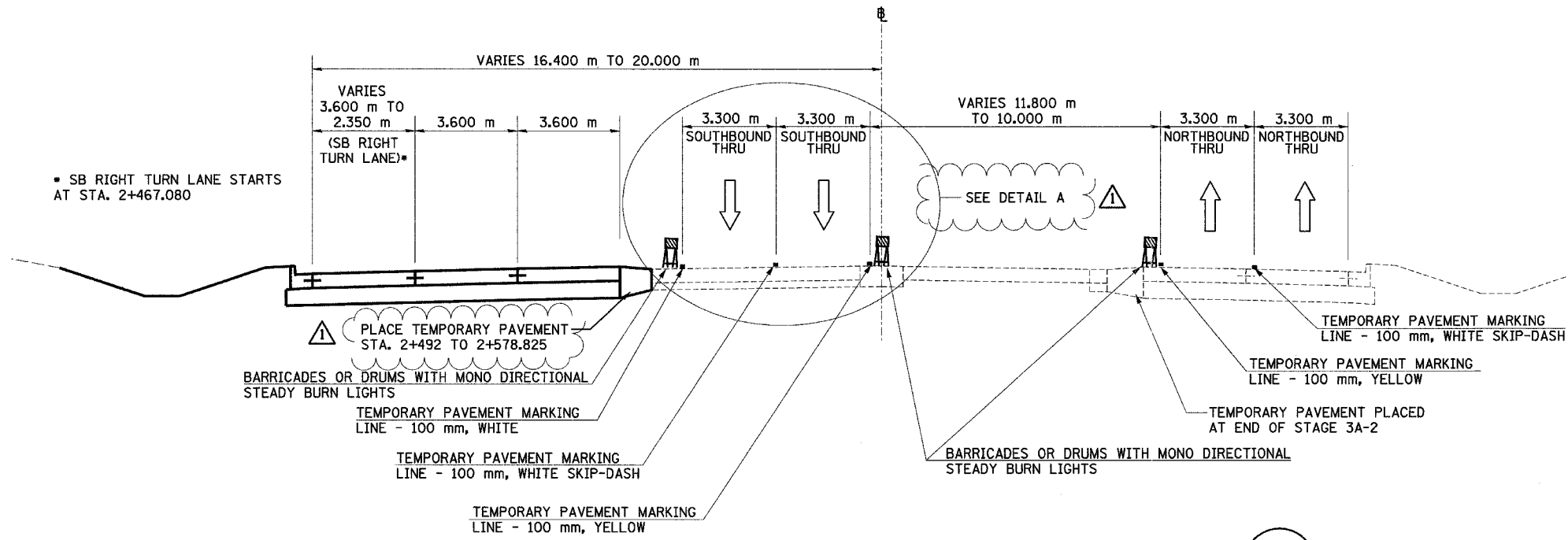


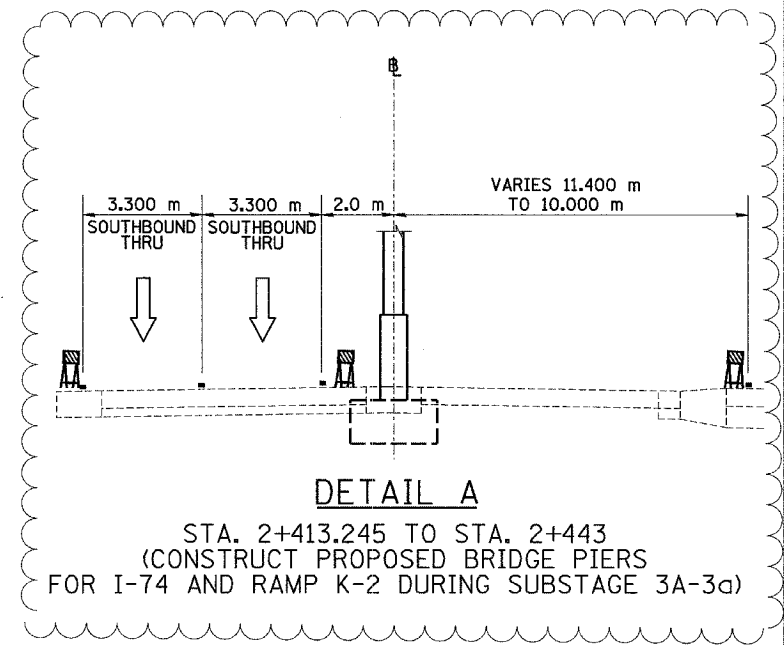
I:\projects\11101-5-ams-15.dgn 5/27/2005 9:03:07 AM

F.A.I. RTE.	SECTION	COUNTY	TOTAL SHEETS	SHEET NO.
74	*	TAZEWELL	1366	167
STA.	TO STA.			
FED. ROAD DIST. NO.	ILLINOIS	FED. AID PROJECT		

*(90-11)R-2;90(13,14,14-1)R-1

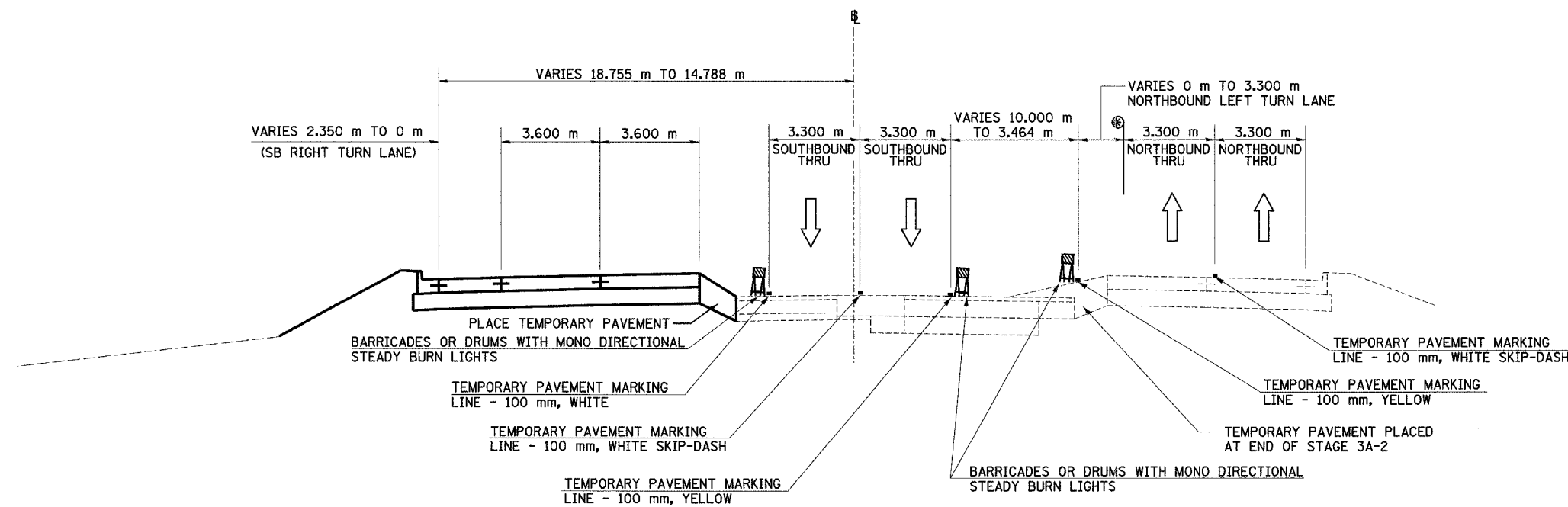


NORTH MAIN ST MOT TYPICAL SECTION NO. 5B (5B)
STA. 2+413.245 TO STA. 2+578.825



DETAIL A
STA. 2+413.245 TO STA. 2+443
(CONSTRUCT PROPOSED BRIDGE PIERS FOR I-74 AND RAMP K-2 DURING SUBSTAGE 3A-3a)

NOTES:
⊗ THIS 3,300 m BREAKOVER AREA SHALL NOT EXCEED AN 5% GRADE.



NORTH MAIN ST MOT TYPICAL SECTION NO. 6B (6B)
STA. 2+578.825 TO STA. 2+643.696

⚠ -REVISED CALLOUT
-ADDED DETAIL A

REVISIONS		ILLINOIS DEPARTMENT OF TRANSPORTATION FAI ROUTE 74 (I-74) MAINTENANCE OF TRAFFIC STAGE 3A-3 ILL. 116-U.S. 150-NORTH MAIN ST. TYPICAL SECTIONS 5B & 6B
NAME	DATE	
⚠	MAY 27 2005	DATE 12/20/2004 DRAWN BY MRF CHECKED BY RTG

