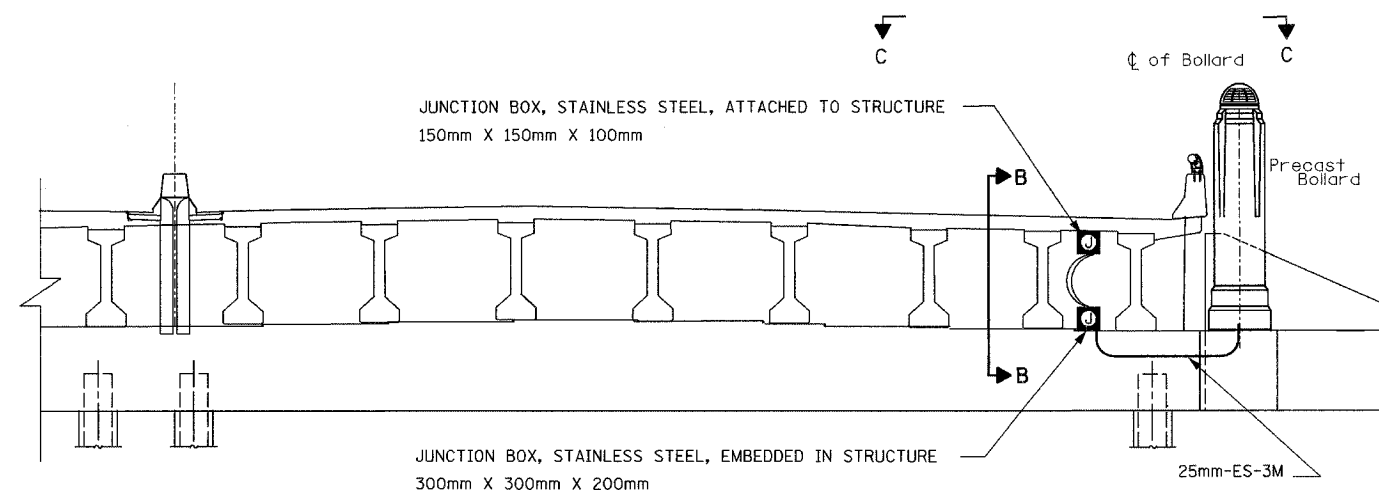
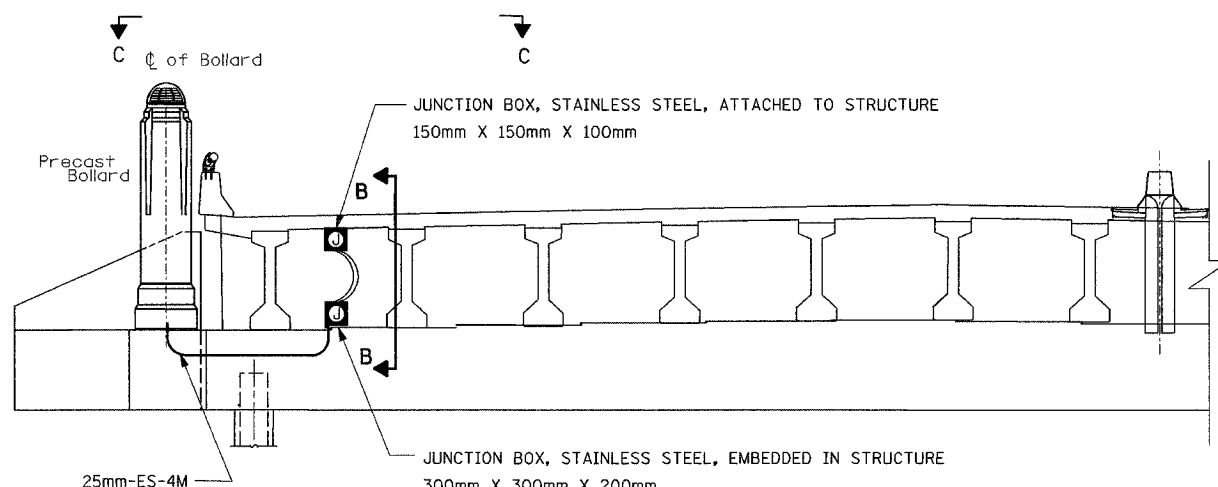


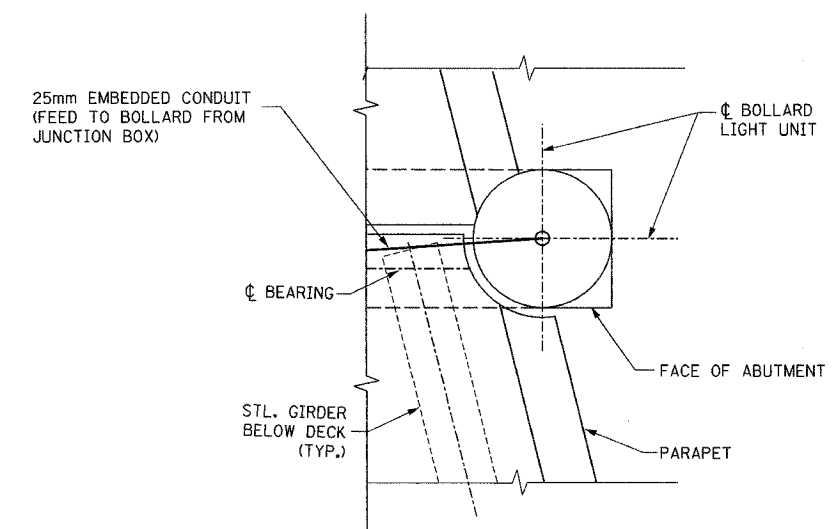
F.A.I. RTE.	SECTION	COUNTY	TOTAL SHEETS	SHEET NO.
74	*	TAZEWELL	1366	1229
STA.		TO STA.		
FED. ROAD DIST. NO.		ILLINOIS FED. AID PROJECT		
* (90-11R-2)90(13, 14, 14-1R-1)				
CONTRACT NO. 68201				



**WESTBOUND ELEVATION AT NORTH ABUTMENT**  
(LOOKING NORTH)



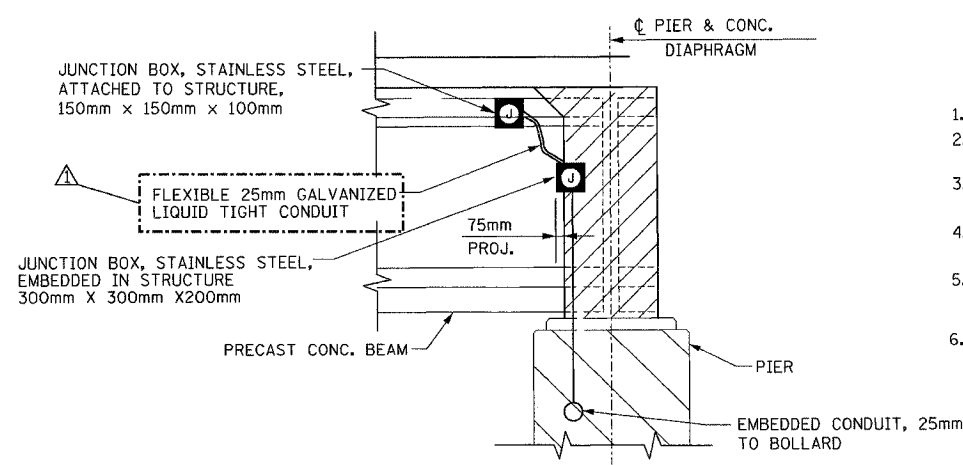
**WESTBOUND ELEVATION AT SOUTH ABUTMENT**  
(LOOKING SOUTH)



**SECTION C-C**  
**PARTIAL PLAN-BOLLARD LOCATION AT S. ABUTMENT**  
(SIMILAR FOR NORTH ABUTMENT)

**STREET LIGHTING - BILL OF MATERIAL - THIS SHEET**

PAY ITEM	UNIT	QTY.
CONDUIT EMBEDDED IN STRUCTURE, 25mm DIA., PVC	METER	7.0
JUNCTION BOX, STAINLESS STEEL, ATTACHED TO STRUCTURE 150mm X 150mm X 100mm	EACH	2
JUNCTION BOX, STAINLESS STEEL, EMBEDDED IN STRUCTURE 300mm X 300mm X 200mm	EACH	2



**SECTION B-B**  
(TYP. FOR P.P.C. B.M. CONSTN.)

**NOTES:**

- FOR WIRING PLAN SEE LIGHTING SHEET 21.
- ALL EMBEDDED CONDUIT SHALL BE 50mm, PVC - SCH. 40, UNLESS OTHERWISE INDICATED.
- ALL JUNCTION BOXES ATTACHED TO STRUCTURE SHALL BE STAINLESS STEEL, 150mmx150mmx100mm, UNLESS OTHERWISE INDICATED.
- THE COST OF THE CONCRETE INSERTS SHALL BE INCLUDED IN THE PAY ITEM FOR "CONDUIT ATTACHED TO STRUCTURE."
- THE COST OF THE LIQUID-TIGHT CONDUIT SHALL BE INCLUDED IN THE PAY ITEM FOR "CONDUIT ATTACHED TO STRUCTURE."
- FOR SECTION B-B, SEE THIS SHEET.

**LEGEND**

- PROPOSED JUNCTION BOX
- PROPOSED EMBEDDED CONDUIT, 25mm DIA. PVC SCHEDULE 40
- PROPOSED LIQUID-TIGHT FLEXIBLE CONDUIT, 25mm

LIGHTING SHEET 19 OF 41

REVISIONS	
NAME	DATE
ADDENDUM #1	MAY 27 2005

ILLINOIS DEPARTMENT OF TRANSPORTATION  
**BRIDGE LIGHTING PLAN**  
W.B. I-74 OVER WASHINGTON ST.

DATE: 12/20/04

DRAWN BY DJK/MMK  
CHECKED BY MKR

**ab** **alfred benesch & company**  
CONSULTING ENGINEERS  
205 NORTH MICHIGAN AVENUE, CHICAGO, ILLINOIS 60601

4/21/2005 1:46:02 PM n:\proj\1357\LIGHTING\4-Contract\1111017.dwg