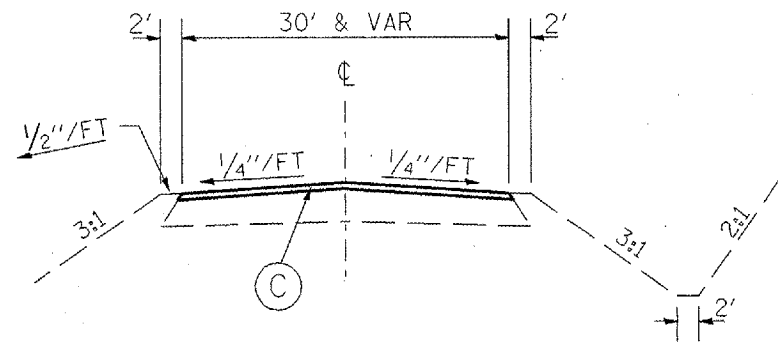
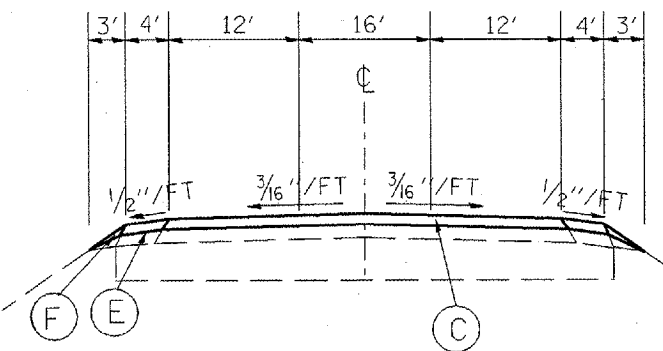


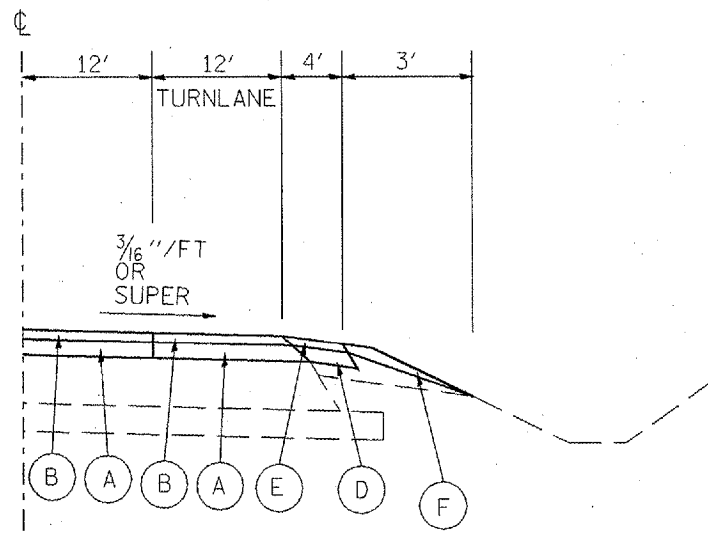
F.A.P. RTE.	SECTION	COUNTY	TOTAL SHEETS	SHEET NO.
310	C38-2RS	MCDONOUGH	66	16
STA.		TO STA.		
FED. ROAD DIST. NO.		ILLINOIS FED. AID PROJECT		



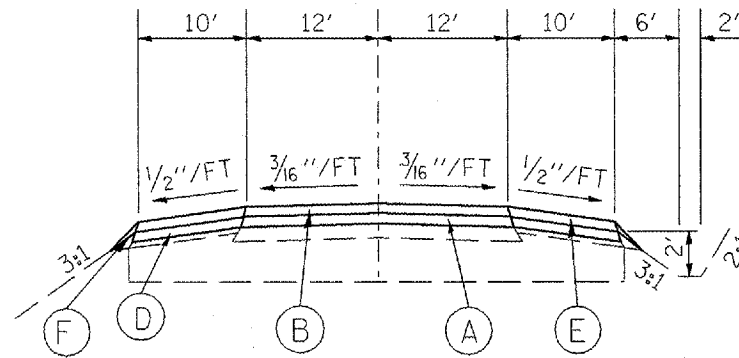
**KROHE ROAD/HURST DRIVE**  
STA 10+11.85 - STA 10+70.24



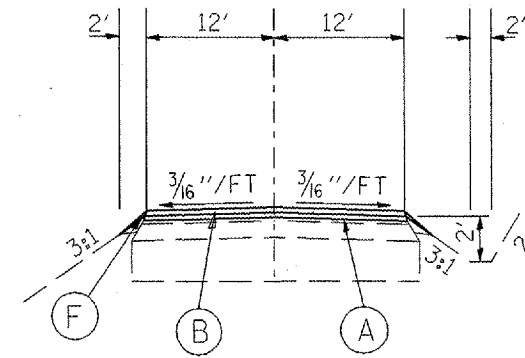
**NEW BURLINGTON ROAD**  
STA 10+30 - STA 11+10



**LEFT AND RIGHT TURN LANE ON MAINLINE**



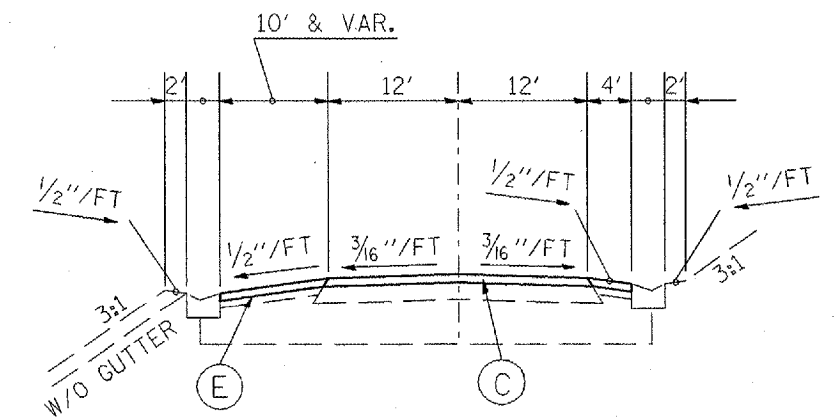
**DOG POUND DRIVE**  
STA 10+58.74 - 11+11.13



**DOG POUND DRIVE**  
STA. 11+11.13 - 13+30

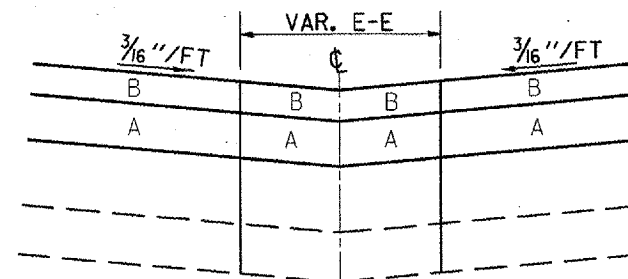
**LEGEND**

- (A) POLYMERIZED BIT CONC BINDER CSE, SUPERPAVE, IL-19.0, N70, 2.5"
- (B) POLYMERIZED BIT CONC SURFACE CSE, SUPERPAVE, MIX D, N70, 2"
- (C) BIT CONC SURFACE CSE, SUPERPAVE, MIX D, N50, 2"
- (D) BIT CONC BINDER CSE, SUPERPAVE, IL-19.0 L (LE), 2.5"
- (E) BIT CONC SURFACE CSE, SUPERPAVE, IL-9.5 L (LE), MIX C, N30, 2"
- (F) AGGREGATE SHOULDERS, TYPE B



**TOWER ROAD**  
STA 7+96.66 - STA 9+48.47

**MEDIAN CROSSOVERS**



REVISIONS	
NAME	DATE

ILLINOIS DEPARTMENT OF TRANSPORTATION  
**PROPOSED  
TYPICAL SECTIONS  
(SIDE ROADS)**

SCALE: VERT. \_\_\_\_\_  
HORIZ. \_\_\_\_\_

DATE \_\_\_\_\_ DRAWN BY \_\_\_\_\_  
CHECKED BY \_\_\_\_\_

PLT DATE: 2/23/2006  
FILE NAME: 68334\68334\sheet.dgn  
PLOT SCALE: 1/8"=1'-0"  
REFERENCE: #REF#