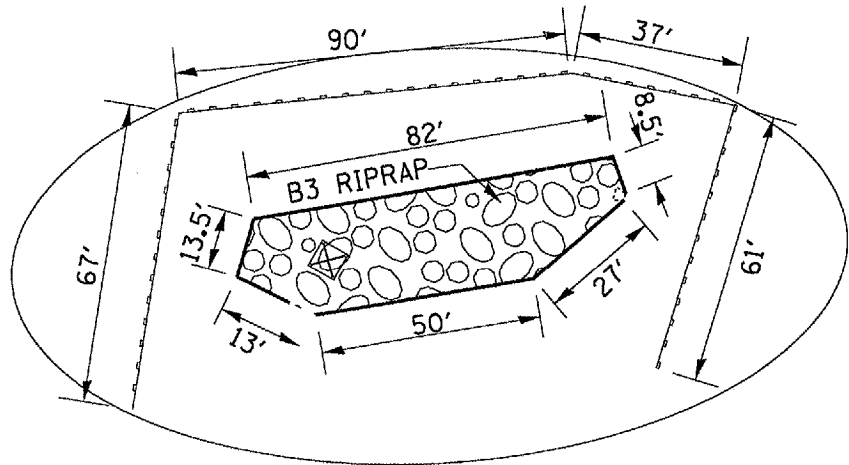
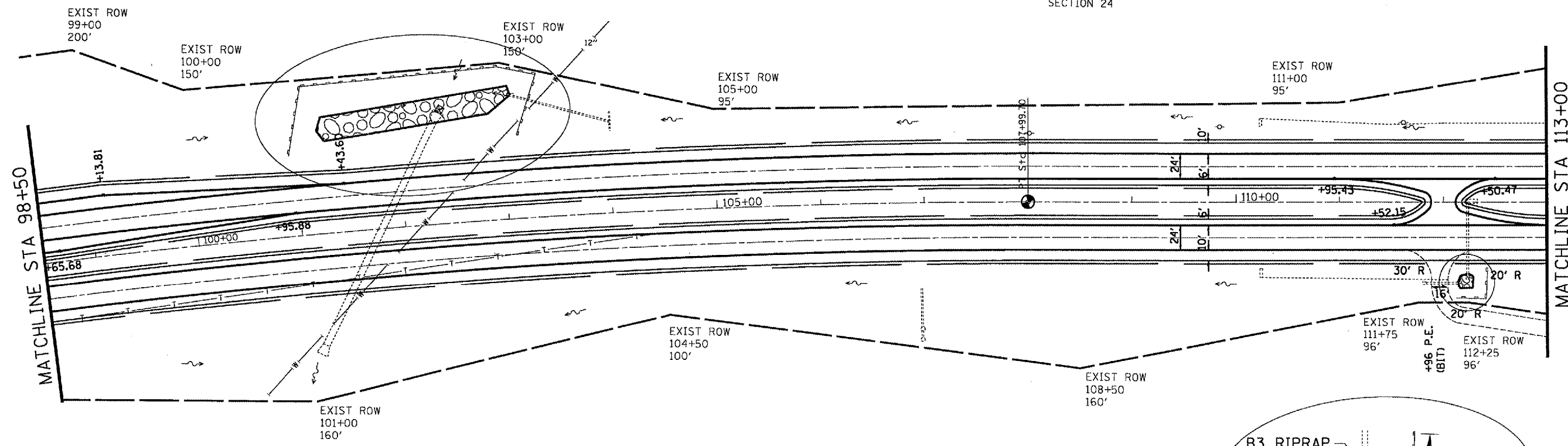


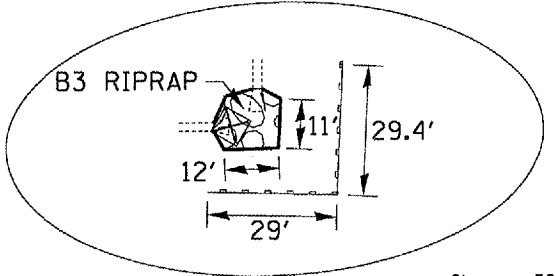
CONTRACT NO. 68334				
F.A.P. RTE.	SECTION	COUNTY	TOTAL SHEETS	SHEET NO.
310	138-21RS	MCDONOUGH	66	37
STA. 98+50		TO STA. 113+00		
FED. ROAD DIST. NO.		ILLINOIS FED. AID PROJECT		



T6N R3W 4TH PM (MACOMB CITY TWP)
SECTION 24



T6N R2W 4TH PM (MACOMB CITY TWP)
SECTION 19



PROPOSED LEGEND

- GUARDRAIL
- END SECTION REPLACEMENT
- RIPRAP

EROSION CONTROL LEGEND

- PERIMETER EROSION BARRIER
- INLET & PIPE PROTECTION
- GRADE & SHAPE DITCH

REVISIONS	
NAME	DATE

ILLINOIS DEPARTMENT OF TRANSPORTATION

PROPOSED
STA 98+50 - 113+00

SCALE: VERT. 1" = 50'
HORIZ. DATE
DRAWN BY CADD
CHECKED BY

PLOT DATE = 3/23/2005
 FILE NAME = c:\p\projects\68334\sheet1.dgn
 PLOT SCALE = 1/8" = 1' IN.
 REFERENCE = 68334