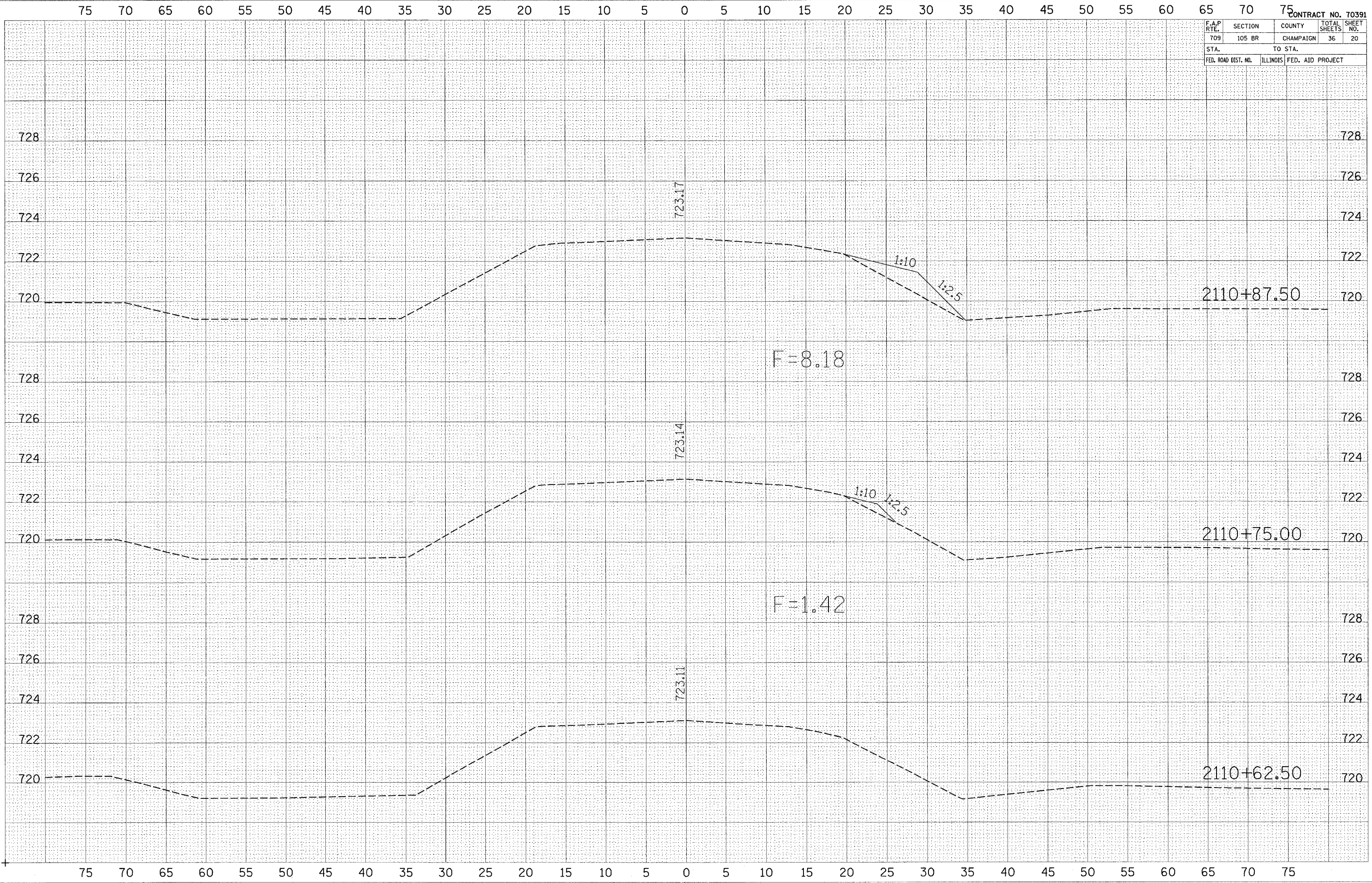


F.A.P. RTE.	SECTION	COUNTY	TOTAL SHEETS	SHEET NO.
709	105 BR	CHAMPAIGN	36	20
STA.		TO STA.		
FED. ROAD DIST. NO.	ILLINOIS	FED. AID PROJECT		



DATE	
BY	
FINAL SURVEY	SURVEYED
NOTE BOOK	PLOTTED
	TEMPLATE
	AREAS CHECKED

DATE	
BY	
ORIGINAL SURVEY	SURVEYED
NOTE BOOK	PLOTTED
	TEMPLATE
	AREAS CHECKED

PLOT DATE = 4/7/2005  
 FILE NAME = c:\pcc\juncas\106248\1\105brn12.dwg  
 USER NAME = shahgyn