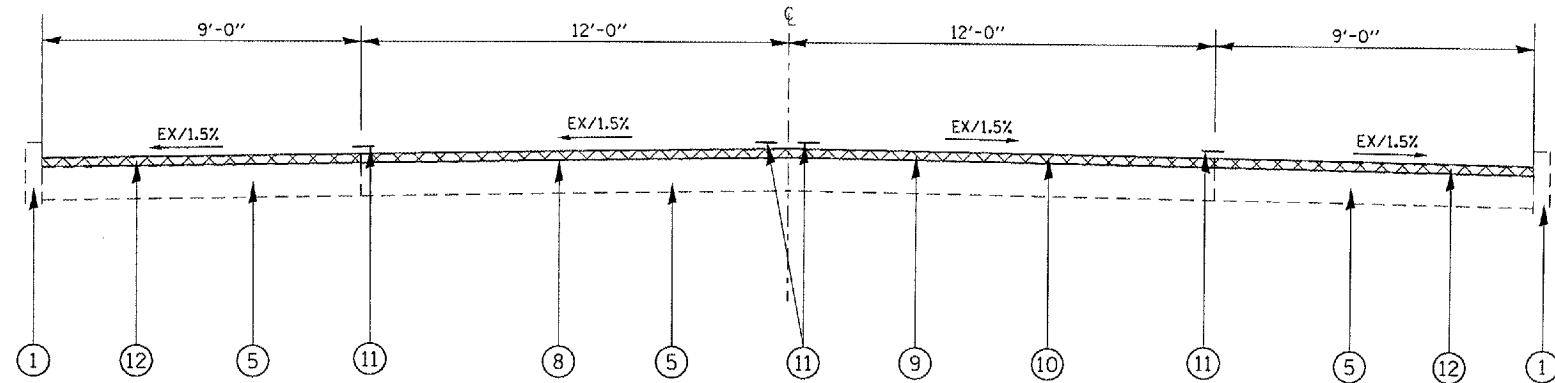
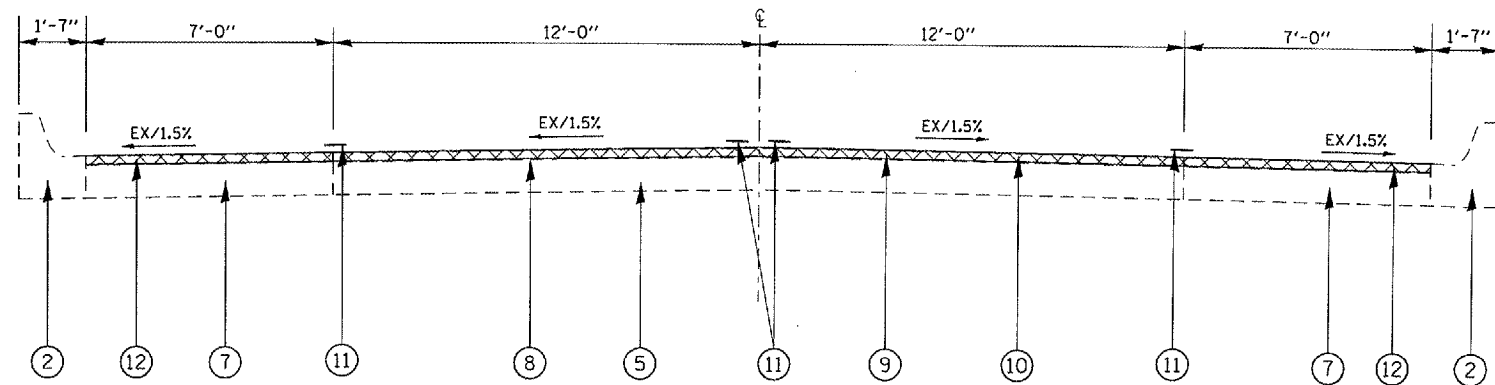


F.A.P. RTE.	SECTION	COUNTY	TOTAL SHEETS	SHEET NO.
662		MACOUPIN	74	20
STA.		TO STA.		
FED. ROAD DIST. NO.		ILLINOIS FED. AID PROJECT		

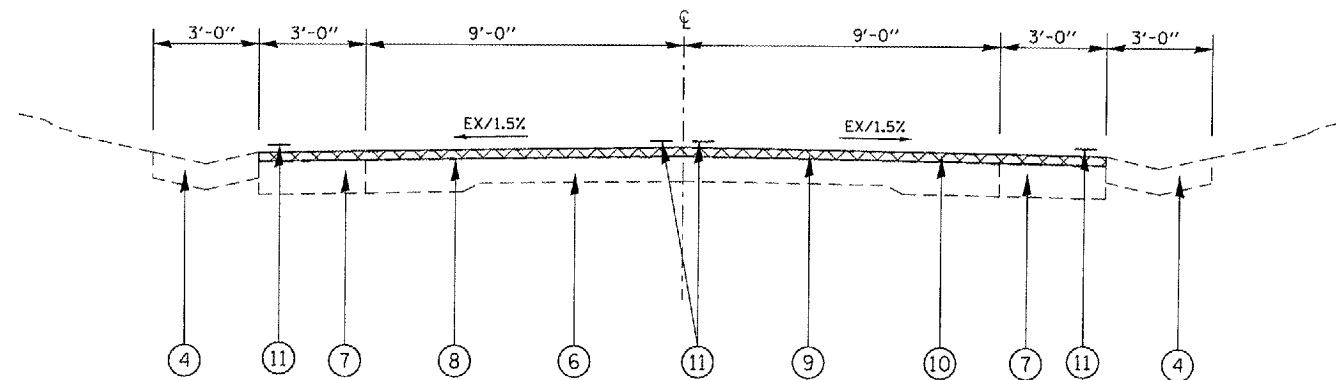
• 10Z (RS-1); (V,T) R-2; SRS-4)



PART A STA 98+45.93 TO STA 100+33.00



PART A STA 100+33.00 TO STA 127+23.28
 STA EQN: STA 127+23.28 (BK)
 STA 0+00.00 TO STA 1+34.31 STA 0+00.00 (AHD)



PART A STA 1+34.31 TO STA 7+72.45

LEGEND

- ① EX CONC. CURB
- ② EX COMB. CONC. CURB AND GUTTER
- ③ EX CONC. GUTTER, TY-B
- ④ EX CONC. GUTTER, TY-A
- ⑤ EX BRICK PAVEMENT
- ⑥ EX PCC PAVEMENT, 9''-6''-9''
- ⑦ EX PCC BASE COURSE WIDENING, 9''
- ⑧ EX BIT. CONC. OVERLAY
- ⑨ PROP BIT. SURF. REMOVAL, 1 1/2''
- ⑩ PROP POLYMER BIT. CONC. SURF. COURSE, SUPERPAVE, MIX "D", N70, 1 1/2'' (2-12' LANES ONLY) (SEE BIT. MIXTURE TABLE)
- ⑪ PROP PREF. PLASTIC PAVEMENT MARKING TY-B - LINE 5'' (INLAD)
- ⑫ PROP BIT. CONC. SURF. CSE., SUPERPAVE, MIX "C", N50, 1 1/2''

REVISIONS	
NAME	DATE

ILLINOIS DEPARTMENT OF TRANSPORTATION
PART A
TYPICAL SECTIONS

SCALE: VERT.
 HORIZ.
 DATE 04-07-03

DRAWN BY MAW
 CHECKED BY