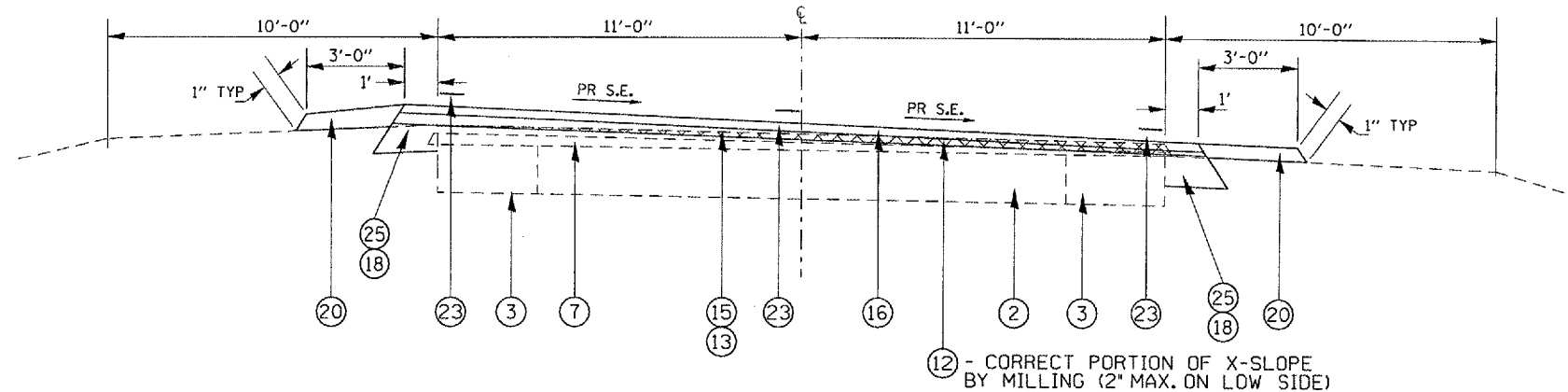


F.A.P. RTE.	SECTION	COUNTY	TOTAL SHEETS	SHEET NO.
662		MACOUPIN	74	27
STA.	TO STA.			
FED. ROAD DIST. NO.	ILLINOIS	FED. AID PROJECT		

• 10Z (RS-1); (V,T) R-2; SRS-4

LEGEND

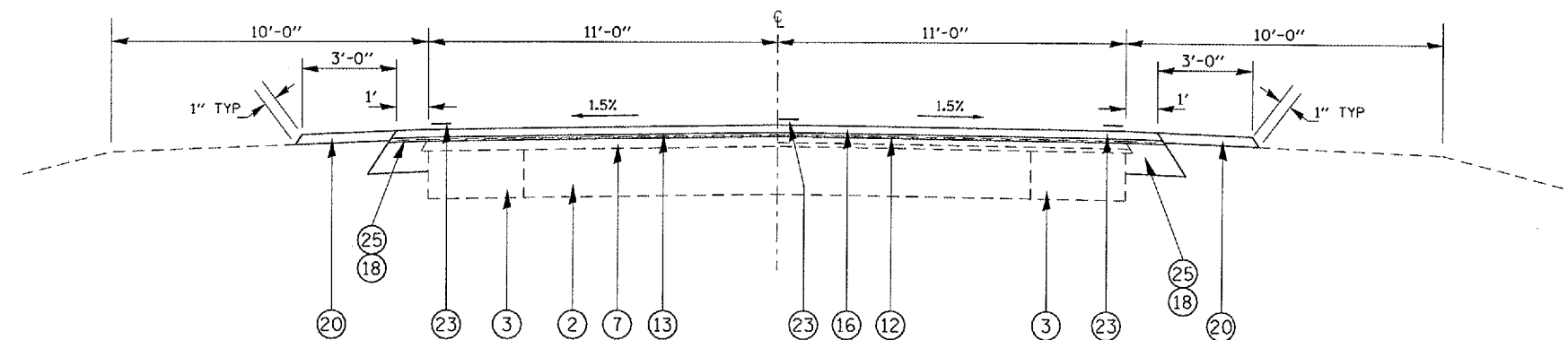
- ① EX PCC PAVEMENT, 9"
- ② EX PCC PAVEMENT, 7"-8"-7"
- ③ EX PCC BASE COURSE WIDENING, 8"
- ④ EX PCC BASE COURSE WIDENING, 9"
- ⑤ EX BITUMINOUS BASE COURSE WIDENING, 8"
- ⑥ EX PCC BASE COURSE, 8"
- ⑦ EX BITUMINOUS CONC. SURFACE
- STA 129+96.00 TO STA 131+20.00 - 2 1/2"
- STA 131+20.00 TO STA 265+80.00 - 0"
- STA 265+80.00 TO STA 321+81.00 - 7" ± 1"
- STA 321+81.00 TO STA 349+61.00 - 0"
- STA 349+61.00 TO STA 399+40.00 - 7" ± 2"
- STA 399+40.00 TO STA 478+00.00 - 0"
- ⑧ EX SUB-BASE GRANULAR MATERIAL
- ⑨ EX CONCRETE GUTTER, TYPE B (TO BE REMOVED)
- ⑩ EX STEEL PLATE BEAM GUARDRAIL
- ⑪ EX COMBINATION CONC. CURB & GUTTER
- ⑫ PR BIT. SURFACE REMOVAL, VAR. DEPTH
- ⑬ PR LEVELING BINDER (MACHINE METHOD), SUPERPAVE, 3/4" AVG. (SEE BIT. MIXTURE TABLE)
- ⑭ PR LEVELING BINDER (MACHINE METHOD), SUPERPAVE, 1" AVG. (SEE BIT. MIXTURE TABLE)
- ⑮ PR LEVELING BINDER (MACHINE METHOD) SUPERPAVE, VAR. DEPTH (1/2" MIN) (SEE BIT. MIXTURE TABLE)
- ⑯ PR BIT. CONCRETE SURFACE COURSE, SUPERPAVE 1 1/2" (SEE BIT. MIXTURE TABLE)
- ⑰ PR BIT. SHLDS, SUPERPAVE, 2-1/2" (SEE BIT. MIXTURE TABLE)
- ⑱ PR BIT. SHLDS, SUPERPAVE, 8" (SEE BIT. MIXTURE TABLE)
- ⑲ PR BIT. SHLDS, SUPERPAVE, 8" (SEE BIT. MIXTURE TABLE)
- ⑳ PR AGG. SHLDS., TYPE B
- ㉑ PR CONC. GUTTER, TY-A (STD 606101)
- ㉒ PR PREFORMED PLASTIC PAVMENT MARKING, TY-B, LINE - 5"
- ㉓ PR PAINT PAVMENT MARKING, LINE - 5"
- ㉔ PR GRADING AND SHAPING SHOULDERS
- ㉕ PR EXCAVATING AND GRADING EX SHLD.
- ㉖ PR EXCAVATING AND GRADING EX SHLD., SPECIAL
- ㉗ PR EARTH EXCAVATION WIDENING
- ㉘ PR EARTH EMBANKMENT
- ㉙ PR BIT. BASE COURSE WIDENING, SUPERPAVE, 10" (SEE BIT. MIXTURE TABLE)



PART A STA 267+61.84 TO STA 268+60.25 - SE TRANS. (0.00% TO 2.30%)
 STA 268+60.25 TO STA 272+31.43 - EX SE = 2.30%; PR SE = 4.03%
 STA 272+31.43 TO STA 273+66.47 - SE TRANS.

STA 288+89.65 TO STA 289+62.91 - SE TRANS.
 STA 289+62.91 TO STA 297+66.62 - EX SE = 2.00%; PR SE = 1.50%
 STA 297+66.62 TO STA 298+39.88 - SE TRANS.

STA 321+79.04 TO STA 321+81.00 - PART OF SE TRANS.
 STA 349+61.00 TO STA 349+63.20 - PART OF SE TRANS.



PART A STA 273+66.47 TO STA 275+80.79
 STA 284+10.48 TO STA 288+89.65
 STA 298+39.88 TO STA 321+79.04
 STA 349+63.20 TO STA 378+78.00

STA 383+40.00 TO STA 399+40.00

REVISIONS	
NAME	DATE

ILLINOIS DEPARTMENT OF TRANSPORTATION

PART A TYPICAL SECTIONS

SCALE: VERT. _____
 HORIZ. _____
 DATE 04-07-03

DRAWN BY MAW
 CHECKED BY _____