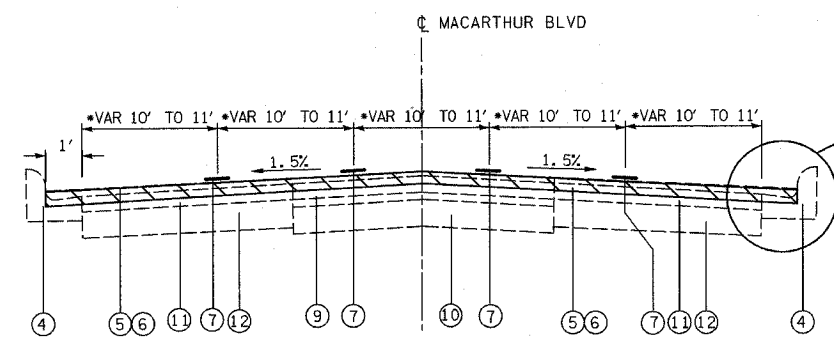


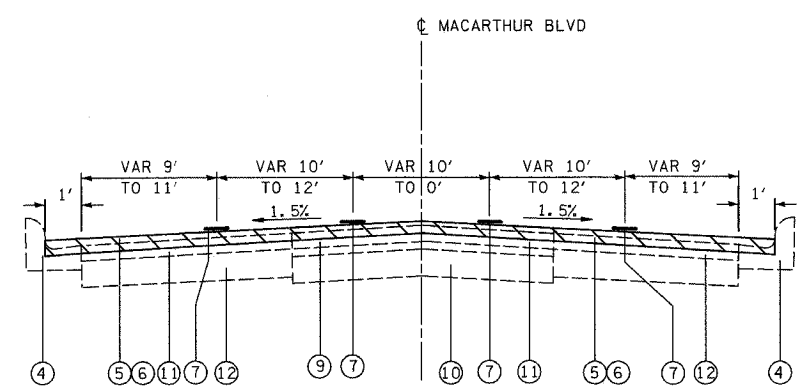
FAP ROUTE	SECTION	COUNTY	TOTAL SHEETS	SHEET NO
664	*	SANGAMON	61	7
STA.	TO STA.			
EXISTING CONDITIONS:				
* D-6 RESURFACING 2005-1				
CONTRACT NO. 72190				



TYPICAL SECTION - MACARTHUR BLVD

NOT TO SCALE

- STA 639+27 TO STA 649+53
- STA 660+36 TO STA 663+36

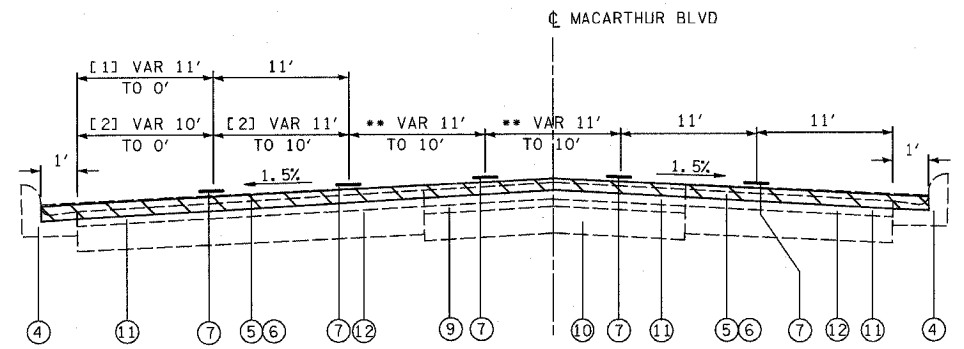


TYPICAL SECTION - MACARTHUR BLVD

NOT TO SCALE

- STA 665+52 TO STA 685+50
- STA 684+70 TO STA 687+04.77 BK = STA 0+00 AH
- STA 0+00 TO STA 8+45

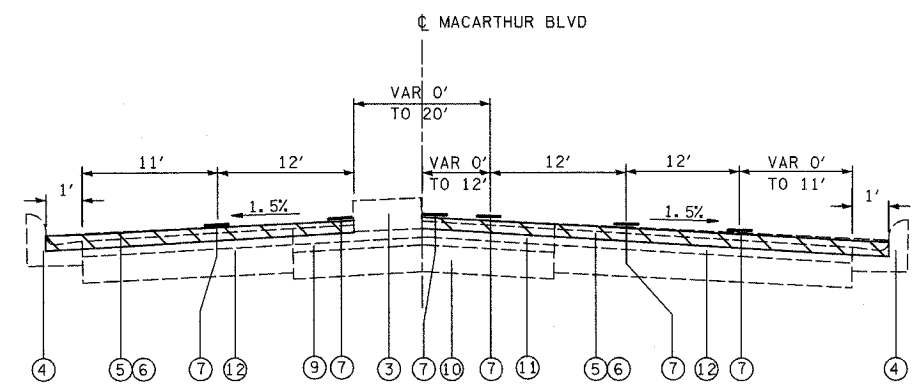
STA EQUATION #3 STA 687+04.77 BK = STA 0+00.00 AH



TYPICAL SECTION - MACARTHUR BLVD

NOT TO SCALE

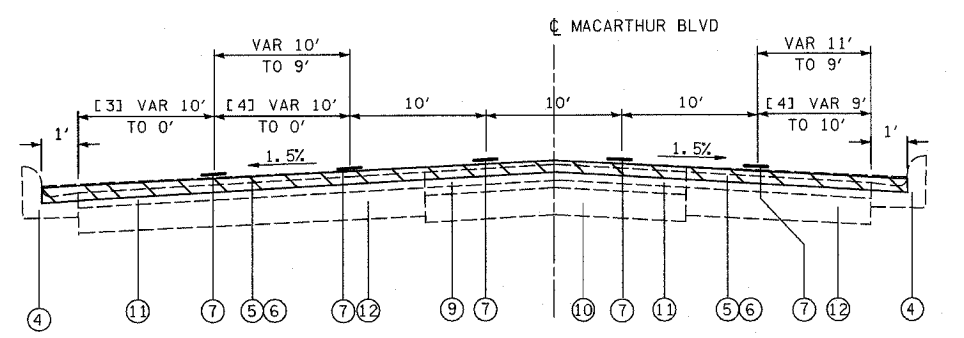
- STA 649+53 TO STA 662+82
- ** STA 658+84 TO STA 659+60
- [1] STA 649+53 TO STA 652+65
- [1] STA 656+34 TO STA 659+60
- [2] STA 659+60 TO STA 662+10



TYPICAL SECTION - MACARTHUR BLVD

NOT TO SCALE

- STA 8+45 TO STA 13+52



TYPICAL SECTION - MACARTHUR BLVD

NOT TO SCALE

- STA 662+82 TO STA 684+70
- [3] STA 662+82 TO STA 665+70
- [4] STA 665+70 TO STA 666+52

LEGEND

- ① EXISTING PCC PAVEMENT 9" WITH BITUMINOUS SURFACE COURSE 1/2"
- ② EXISTING PCC BASE COURSE WIDENING 8" WITH BITUMINOUS SURFACE COURSE 1/2"
- ③ EXISTING CONCRETE MEDIAN
- ④ EXISTING CONCRETE CURB AND GUTTER
- ⑤ PROPOSED BITUMINOUS SURFACE REMOVAL, 2"
- ⑥ POLYMERIZED BITUMINOUS CONCRETE SURFACE COURSE, SUPERPAVE, MIX E, N90, 2"
- ⑦ PROPOSED PAVEMENT MARKING - LINE 5"
- ⑧ EXISTING BITUMINOUS BASE COURSE WITH BITUMINOUS SURFACE COURSE
- ⑨ EXISTING BRICK
- ⑩ EXISTING PCC PAVEMENT 9"-6"-9"
- ⑪ EXISTING BITUMINOUS CONCRETE, VARIABLE DEPTH
- ⑫ EXISTING PCC BASE COURSE
- ⑬ EXISTING SAND CUSHION
- ⑭ EXISTING BITUMINOUS CONCRETE VARIABLE DEPTH
- ⑮ PROPOSED COMBINATION CONCRETE CURB AND GUTTER, (SPECIAL)



HOMER L. CHASTAIN & ASSOCIATES, LLP
 CONSULTING ENGINEERS
 DECATUR (317) 422-8544
 CHICAGO (773) 714-0050
 184-001397

REVISIONS	
NAME	DATE

ILLINOIS DEPARTMENT OF TRANSPORTATION
 FAP ROUTE 664
 (WABASH AVE. & MACARTHUR BLVD)
 SECTION D-6 RESURFACING 2005-1
 SANGAMON COUNTY
TYPICAL SECTIONS
 DRAWN BY: EMR
 CHECKED BY: CAS

PLOT DATE: \$DATE\$ \$TIME\$ \$FILENAME\$

TYPICAL SECTIONS

PLAN SURVEYED
 ALIGNMENT CHECKED
 NOTE BOOK RT. OF WAY CHECKED

DATE
 BY
 DATE
 NON-SPEC
 REF
 REF