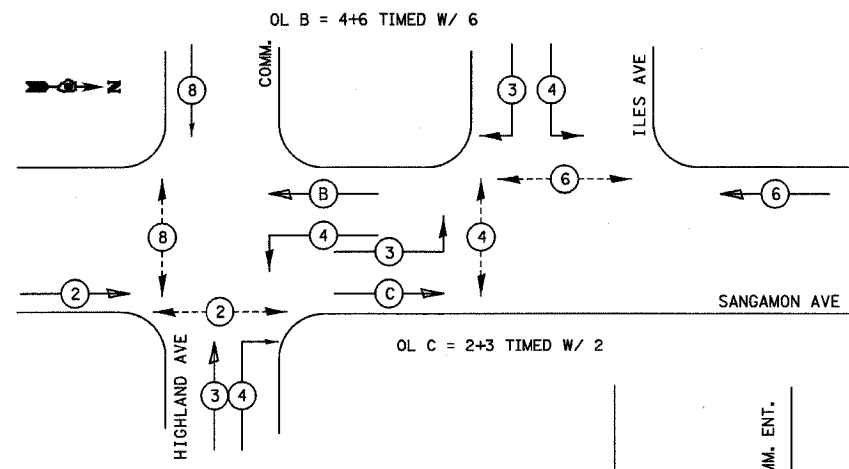
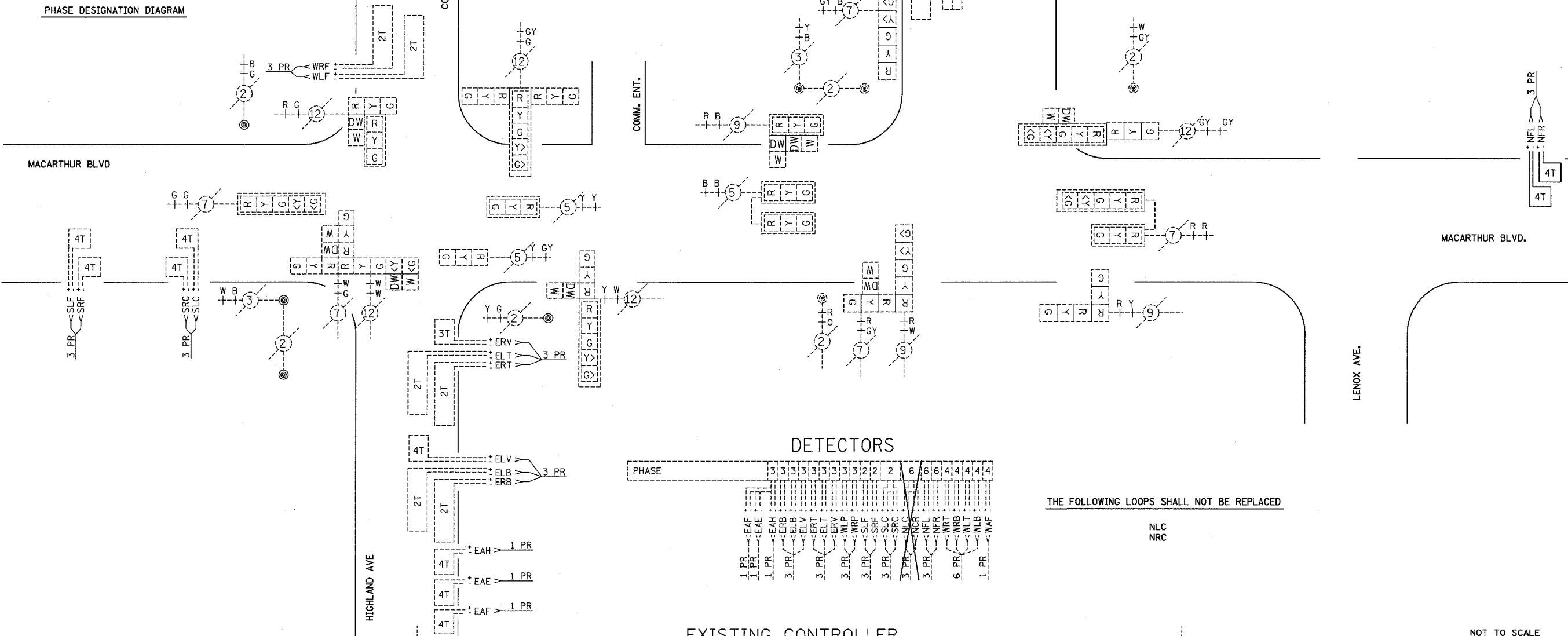


F.A. RTE.	SECTION	COUNTY	TOTAL SHEETS	SHEET NO.
664	*	SANGAMON	61	55
STA.		TO STA.		
FED. ROAD DIST. NO.		ILLINOIS FED. AID PROJECT		
* D-6 RESURFACING 2005-1				
CONTRACT NO. 72790				



PHASE DESIGNATION DIAGRAM



TRAFFIC SIGNAL QUANTITIES
 LOCATION: MACARTHUR AVE. & ILES / HIGHLAND
 QUANTITY 66.0 UNIT FOOT ITEM DETECTOR LOOP, TYPE I

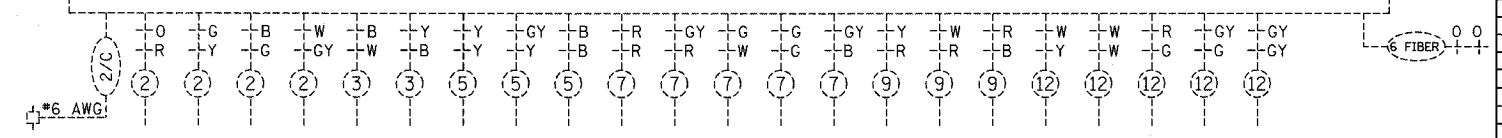
DETECTORS

PHASE	3	3	3	3	3	3	3	3	2	2	6	6	6	4	4	4	4
1 PR	EAF	EAE	EAH	ERB	ELV	ELT	ERV	WLP	WRF	SLF	SRC	NFL	NFR	WRB	WLB	WLT	WRT
1 PR																	
3 PR																	
3 PR																	
3 PR																	
3 PR																	
3 PR																	
3 PR																	
6 PR																	
1 PR																	

THE FOLLOWING LOOPS SHALL NOT BE REPLACED

NLC
NRC

EXISTING CONTROLLER



REVISIONS	
NAME	DATE

ILLINOIS DEPARTMENT OF TRANSPORTATION
PROPOSED WIRING DIAGRAM
 MACARTHUR & ILES / HIGHLAND

SCALE: VERT. HORIZ.
 DATE NOV. 2004

DRAWN BY KDA
 CHECKED BY

PLT DATE = 08/28/04
 PLOT SCALE = 1/8"=1'-0"
 REFERENCE = WREF