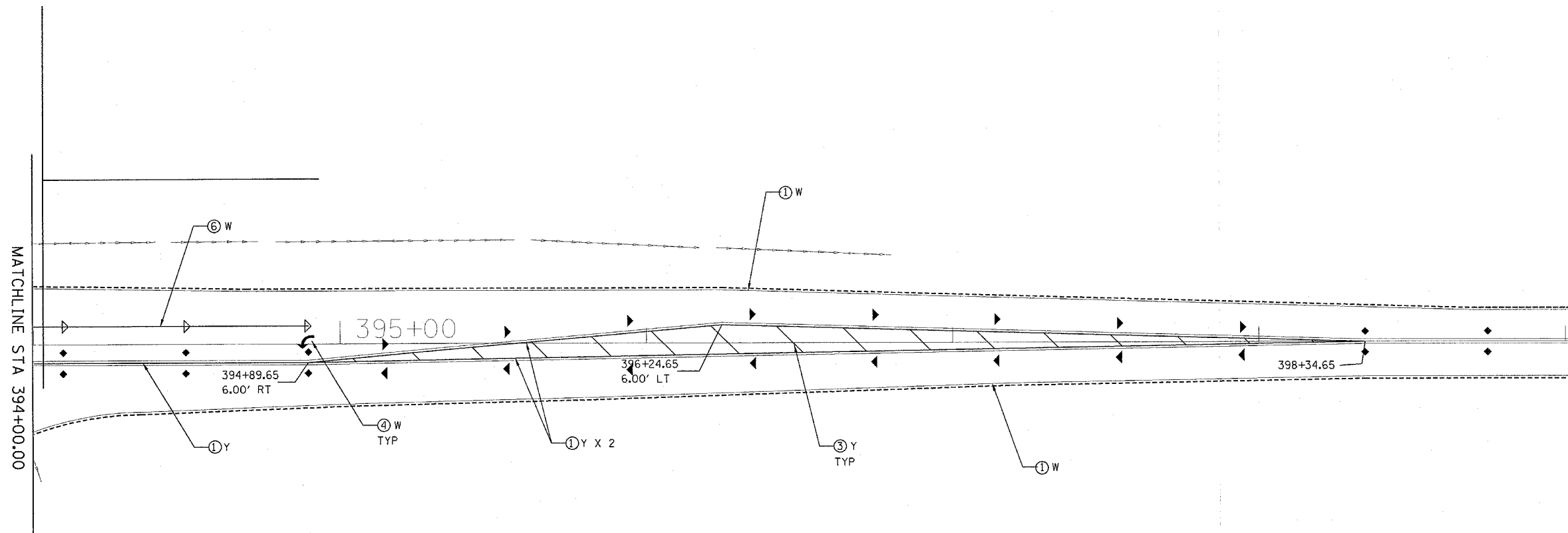


F.A.P. RTE.	SECTION	COUNTY	TOTAL SHEETS	SHEET NO.
310		SCHUYLER	46	26

STA.	TO STA.

FED. ROAD DIST. NO. ILLINOIS FED. AID PROJECT
 (87-1)1-1, TS-2



LEGEND

- ① THERMOPLASTIC PAVEMENT MARKING, 5"
- ② THERMOPLASTIC PAVEMENT MARKING, 8"
- ③ THERMOPLASTIC PAVEMENT MARKING, 12"
- ④ PERFORMED PLASTIC PAVEMENT MARKING, TY B, L & R
- ⑤ PERFORMED PLASTIC PAVEMENT MARKING, TY B, 24"
- ⑥ PERFORMED PLASTIC PAVEMENT MARKING, TY B, 6"
- ◆ RAISED REFLECTIVE PAVEMENT MARKERS (TWO WAY)
- ▷ RAISED REFLECTIVE PAVEMENT MARKERS (ONE WAY CRYSTAL)
- ▶ RAISED REFLECTIVE PAVEMENT MARKERS (ONE WAY AMBER)

SHEET 6 OF 6

REVISIONS	
NAME	DATE

ILLINOIS DEPARTMENT OF TRANSPORTATION
PROPOSED PAVEMENT MARKING
 FAP 310
 SECTION (87-1)1-1, TS-2
 SCHUYLER COUNTY

SCALE: VERT. HORIZ.
 DATE DRAWN BY CHECKED BY

PLOT DATE = 4/8/2005
 FILE NAME = c:\projects\652184\shl\pavlev.e0836.dgn
 PLOT SCALE = 28.0000' / 1" IN.
 REFERENCE = #REF#