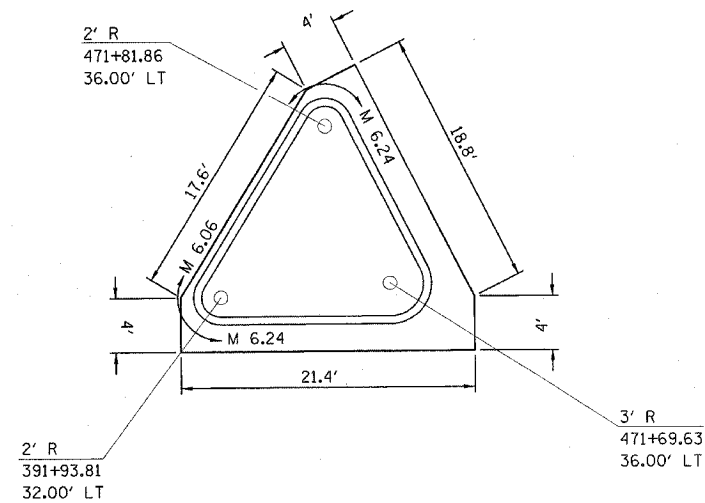
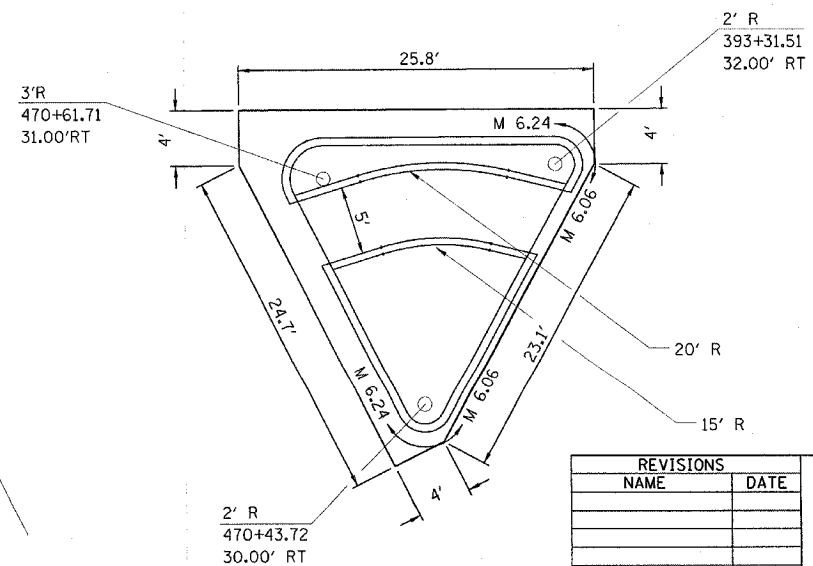


F.A.P. RTE.	SECTION	COUNTY	TOTAL SHEETS	SHEET NO.
*	**	SCHUYLER	46	37
STA.		TO STA.		
FED. ROAD DIST. NO.		ILLINOIS	FED. AID PROJECT	
* 310 (US 67)/317 (US 24)				
** (87-1)I-1, TS-2				



US 67

US 24



REVISIONS	
NAME	DATE

ILLINOIS DEPARTMENT OF TRANSPORTATION
ISLAND DETAILS
 FAP 310 (US 67)/317 (US 24)
 SECTION (87-1)I-1, TS-2
 SCHUYLER COUNTY
 SCALE: VERT. : NONE
 HORIZ. : NONE
 DATE : MARCH 2005
 DRAWN BY :
 CHECKED BY :