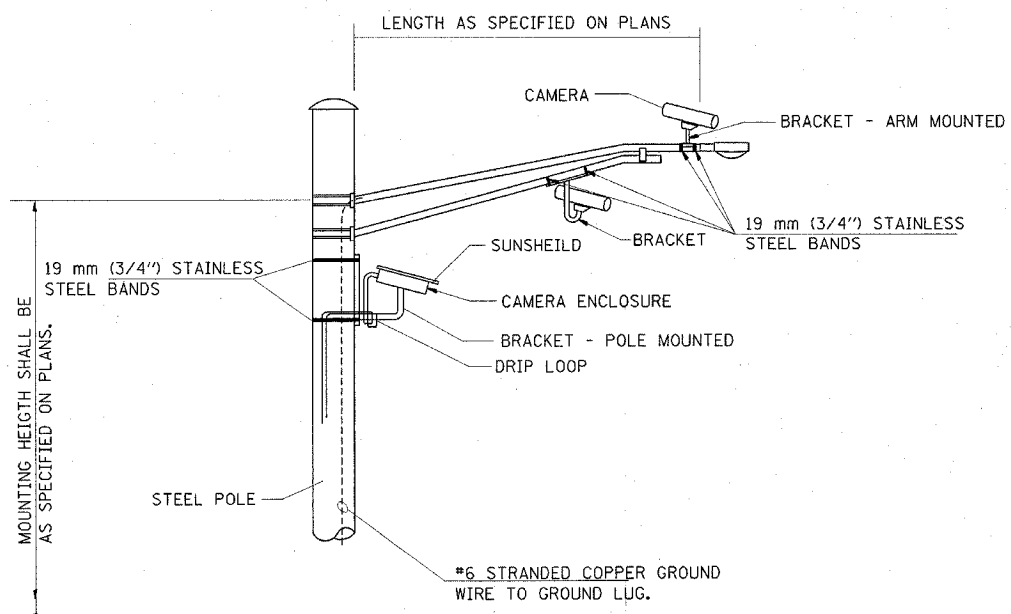
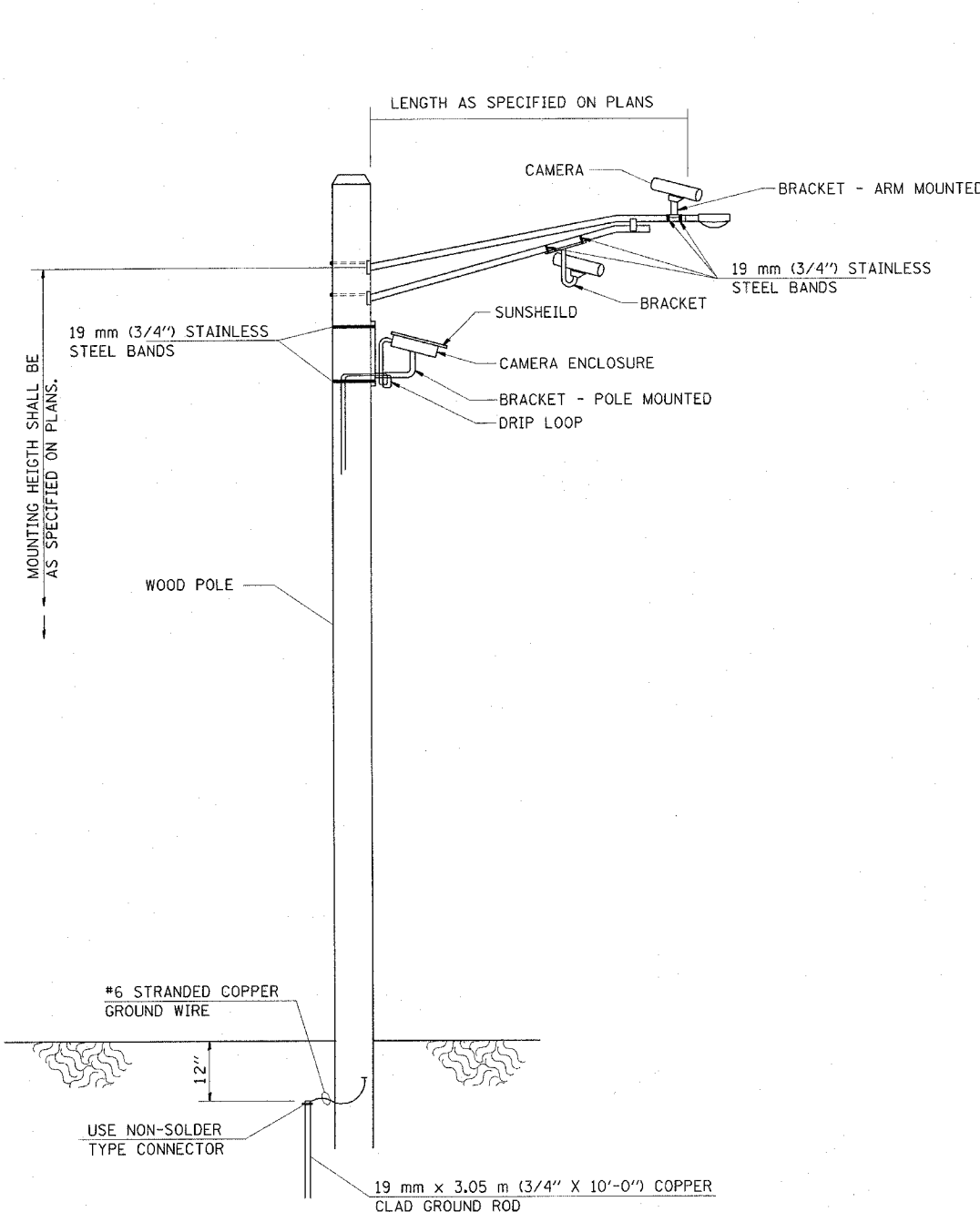
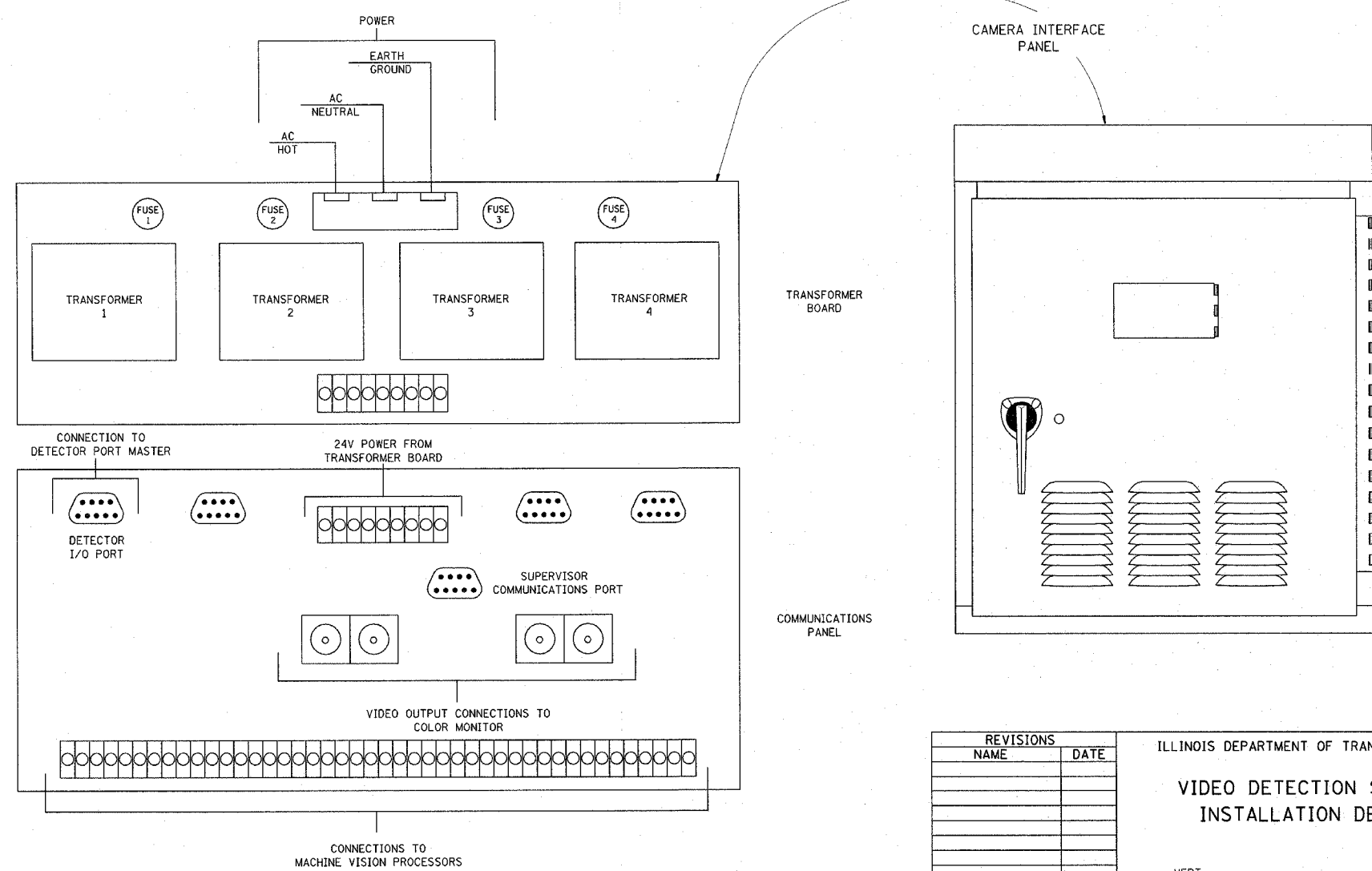


F.A.P. RTE.	SECTION	COUNTY	TOTAL SHEETS	SHEET NO.
663	(17X)TS-1	SANGAMON	10	7
STA.		TO STA.		
FED. ROAD DIST. NO.	ILLINOIS	FED. AID PROJECT		



**VIDEO DETECTION SYSTEM INSTALLATION  
ARM MOUNTED OR POLE MOUNTED CAMERA**



REVISIONS	
NAME	DATE

ILLINOIS DEPARTMENT OF TRANSPORTATION  
**VIDEO DETECTION SYSTEM  
INSTALLATION DETAIL**  
SCALE: VERT. / HORIZ. / DATE  
DRAWN BY KDA  
CHECKED BY

PLOT DATE = 3/31/2005  
FILE NAME = c:\projects\4651595\ts\_sheets.dgn  
PLOT SCALE = 24,000% / IN.  
REFERENCE = #REF#