

F.A.P. RTE. 1	SECTION	COUNTY	TOTAL SHEETS	SHEET NO.
726		JEFFERSON	10	7
STA.		TO STA.		
FED. ROAD DIST. NO.		ILLINOIS FED. AID PROJECT		

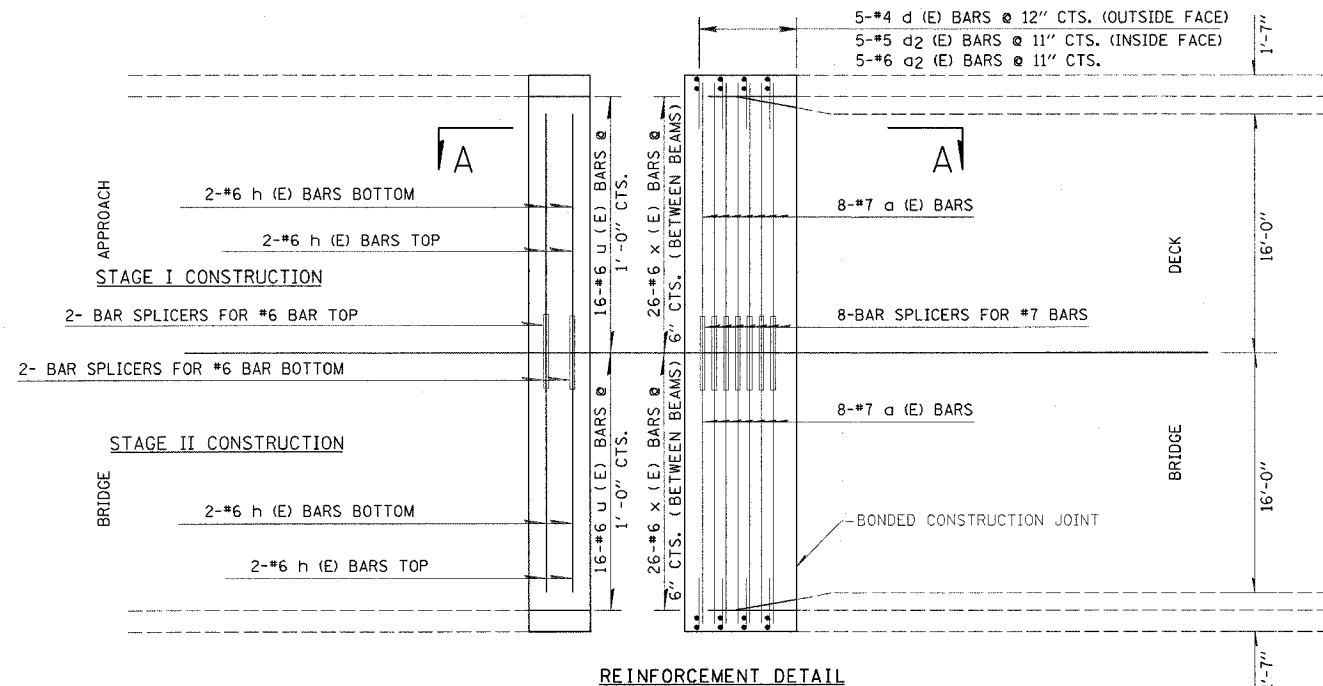
• D-7 JOINT REPAIRS 2005-1

BAR LIST - PER ABUTMENTS - STR #041-0096

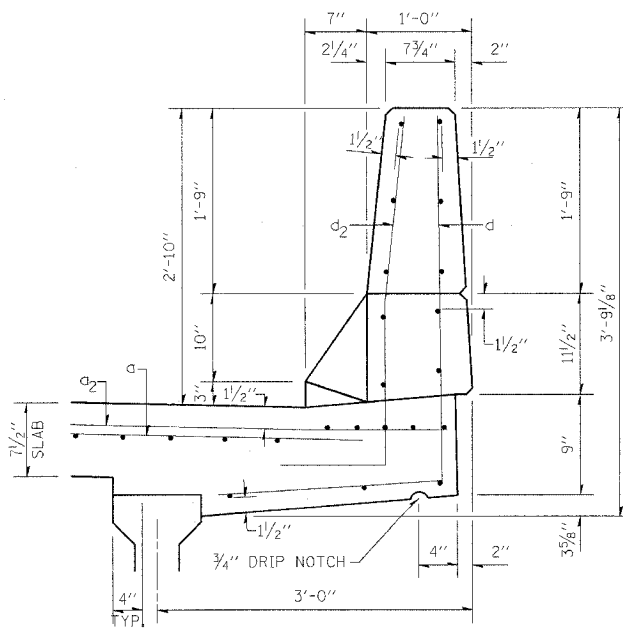
BAR	NUMBER OF BARS		TOTAL	SIZE	LENGTH	SHAPE
	STAGE I	STAGE II				
a (E)	8	8	16	#7	15'-1"	—
a1(E)	10	10	20	#6	6'-6"	—
a2(E)	5	5	10	#6	4'-0"	—
d(E)	5	5	10	#4	4'-10"	J
d2(E)	5	5	10	#5	4'-1"	J
h(E)	4	4	8	#6	15'-0"	—
x(E)	26	26	52	#6	6'-11"	—
u(E)	16	16	32	#6	2'-8"	□

CONCRETE REMOVAL (LIMITS ARE FROM OUT TO OUT OF DECK)

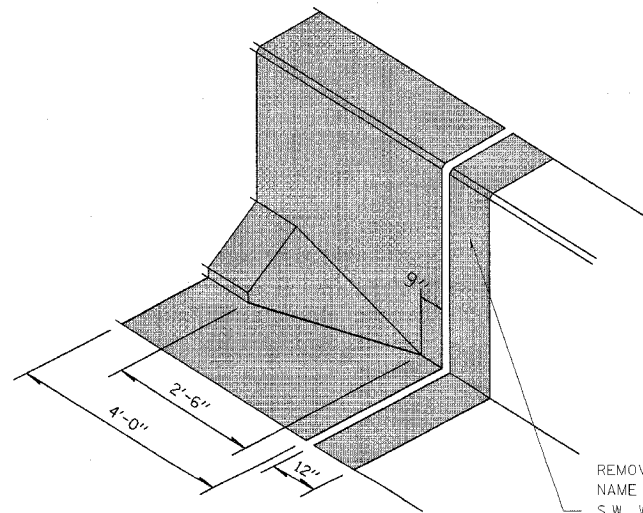
REINFORCEMENT BARS DESIGNATED (E) SHALL BE EPOXY COATED



REINFORCEMENT DETAIL EAST ABUTMENT (WEST ABUTMENT SIMILAR)

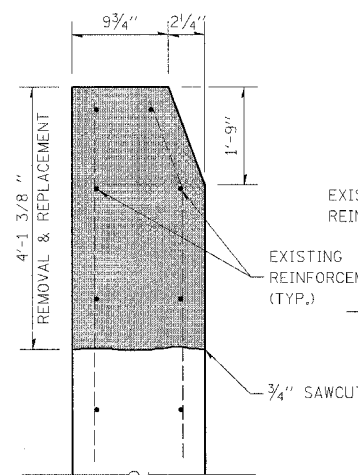


PARAPET DETAIL

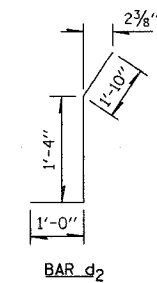


TYPICAL CONCRETE REPLACEMENT AT EACH ABUTMENT

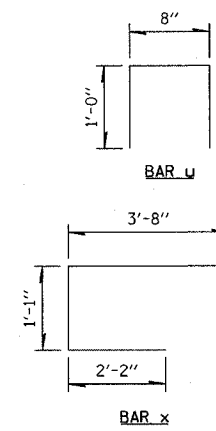
REMOVE AND REINSTALL NAME PLATE LOCATED ON S.W. WING STR. 041-0096, PAID FOR AS RELOCATING NAME PLATE 1.0 EACH



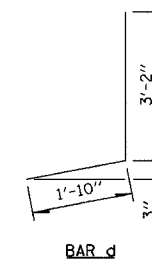
WINGWALL DETAIL



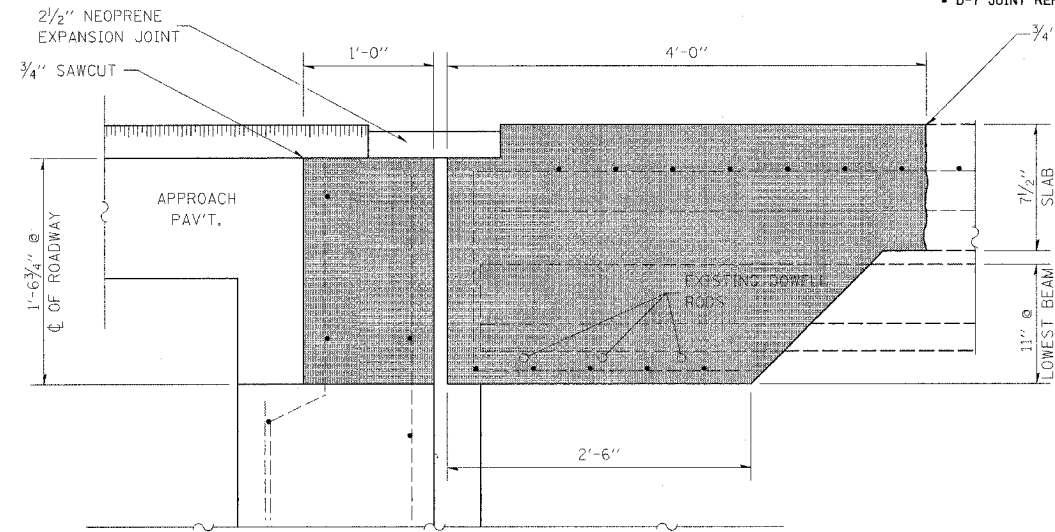
BAR d2



BAR x

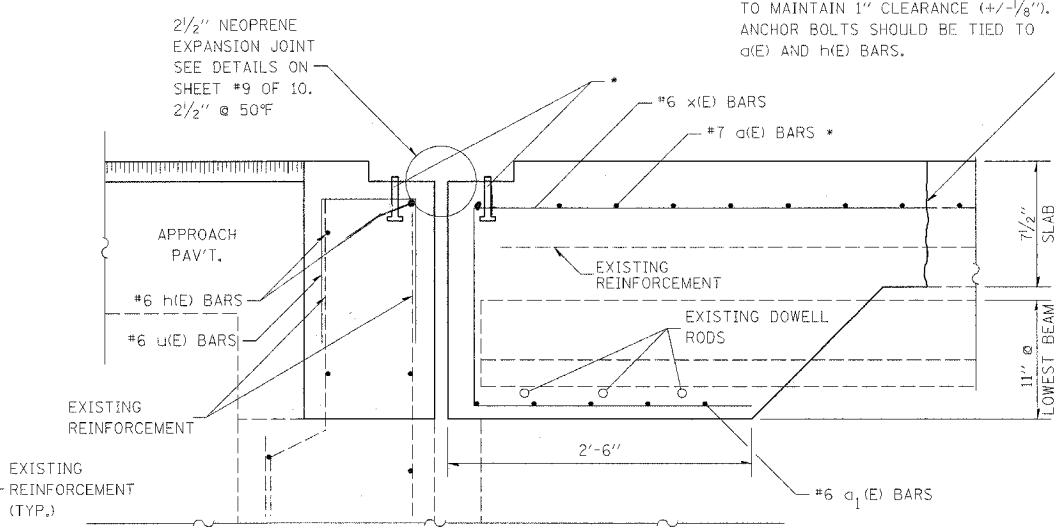


BAR d



EXISTING EXPANSION JOINTS AT ABUTMENTS

PLACE a(E) AND h(E) BARS IN BACK OF ANCHOR BOLT AS SHOWN IF REQUIRED TO MAINTAIN 1" CLEARANCE (+/- 1/8"). ANCHOR BOLTS SHOULD BE TIED TO a(E) AND h(E) BARS.



PROPOSED EXPANSION JOINTS AT ABUTMENTS

NOTE: EXISTING REINFORCEMENT BARS AND DOWELL RODS ARE TO BE CLEANED, STRIGHTENED AND INCORPORATED INTO THE NEW CONSTRUCTION. ANY REINFORCEMENT BARS THAT ARE DAMAGED DURING CONCRETE REMOVAL OPERATIONS SHALL BE REPLACED USING AN APPROVED BAR SPLICER OR ANCHORAGE SYSTEM (COST INCLUDED IN CONCRETE REMOVAL).

REVISIONS	
NAME	DATE

ILLINOIS DEPARTMENT OF TRANSPORTATION  
**EXPANSION JOINT DETAILS**  
**EAST & WEST ABUTMENTS**  
**STR #041-0096**

SCALE: VERT. DATE  
HORIZ.

DRAWN BY  
CHECKED BY

steffenmk  
3/29/2005  
c:\projects\74073d\05404pa.dgn  
EJ 96

PLOT DATE = 3/29/2005  
FILE NAME = #FILEL.S  
PLOT SCALE = #SCALE  
REFERENCE = #REF