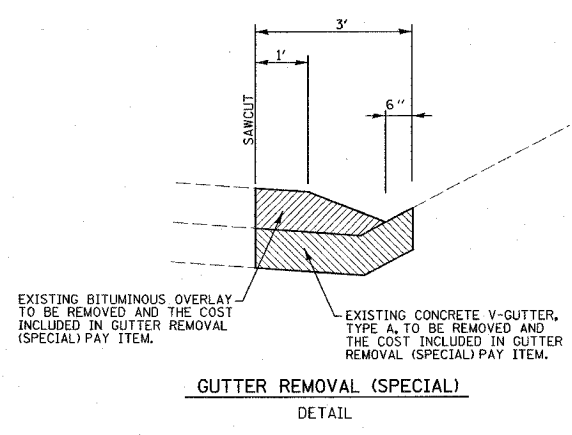
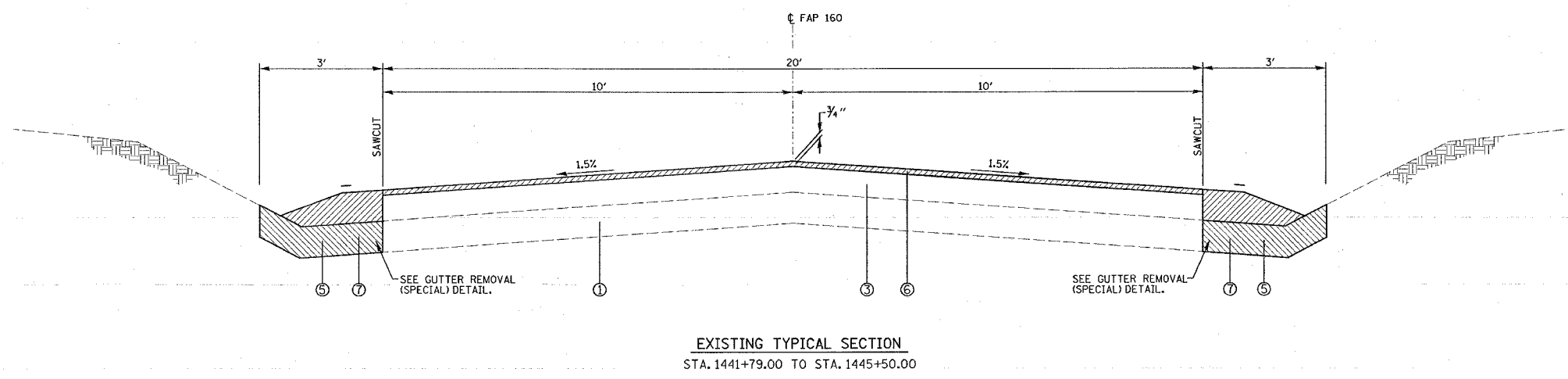
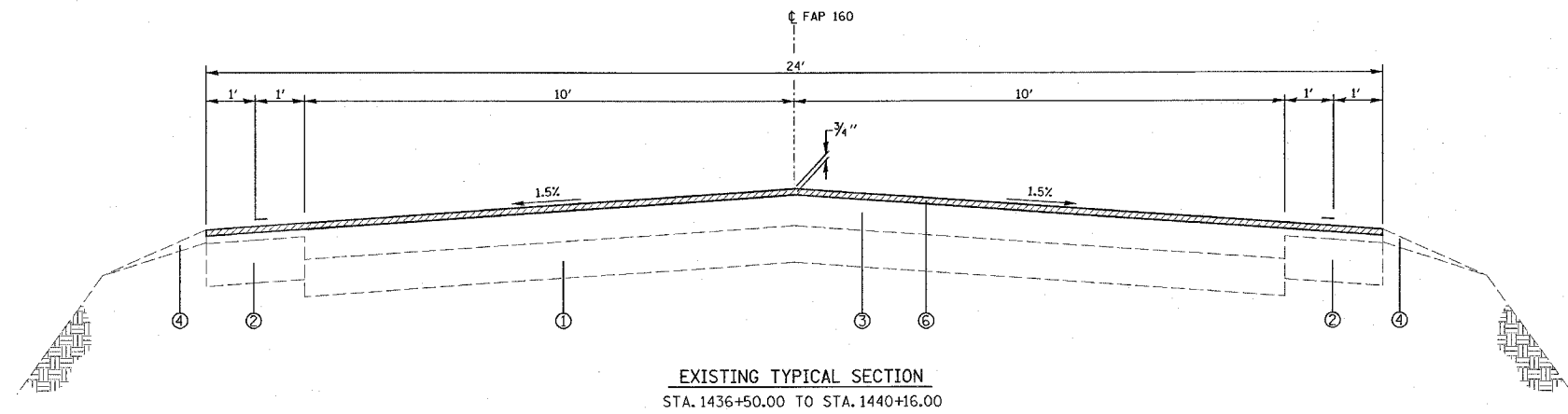


FAP ROUTE	SECTION	COUNTY	TOTAL SHEETS	SHEET NO.
692	12-1BR-1	MADISON	65	5
STA.		TO STA.		
CONTRACT NO.: 76386				

PLAN	SURVEYED	DATE
NOTE BOOK NO.	BY	
	ALIGNED	
	CHECKED	
	DATE	
	FILE NAME	



- LEGEND**
- ① EXISTING PCC PAVEMENT - 6"
 - ② EXISTING BITUMINOUS WIDENING - 7"
 - ③ EXISTING BITUMINOUS RESURFACING - 6"
 - ④ EXISTING AGGREGATE SHOULDER WEDGE
 - ⑤ EXISTING TYPE A GUTTER
 - ⑥ PROPOSED BITUMINOUS SURFACE REMOVAL - 3/4"
 - ⑦ PROPOSED GUTTER REMOVAL - (SPECIAL)
 - ⑧ PROPOSED BITUMINOUS WIDENING - 9"
 - ⑨ PROPOSED BITUMINOUS MATERIAL (PRIME COAT)
 - ⑩ PROPOSED AGGREGATE (PRIME COAT)
 - ⑪ PROPOSED BINDER COURSE - THICKNESS VARIES 1/2" TO 1 1/8"
 - ⑫ PROPOSED SURFACE COURSE - 1 1/2"
 - ⑬ PROPOSED BITUMINOUS SHOULDER - 8"
 - ⑭ PROPOSED TYPE A GUTTER
 - ⑮ PROPOSED RIPRAP CLASS A5
 - ⑯ PROPOSED FILTER FOR USE WITH RIPRAP

REVISIONS	
NAME	DATE

ILLINOIS DEPARTMENT OF TRANSPORTATION
TYPICAL SECTIONS
 FAP 692
 SECTION 12-1BR-1
 MADISON COUNTY
 DRAWN BY:

3/14/2005
 Monday March 14, 2005 @ 1:32:36 PM
 C:\pcc\mca\edit\plan\plan\road\road\plan LV1-163

PLOT DATE: Monday March 14, 2005 @ 1:32:36 PM