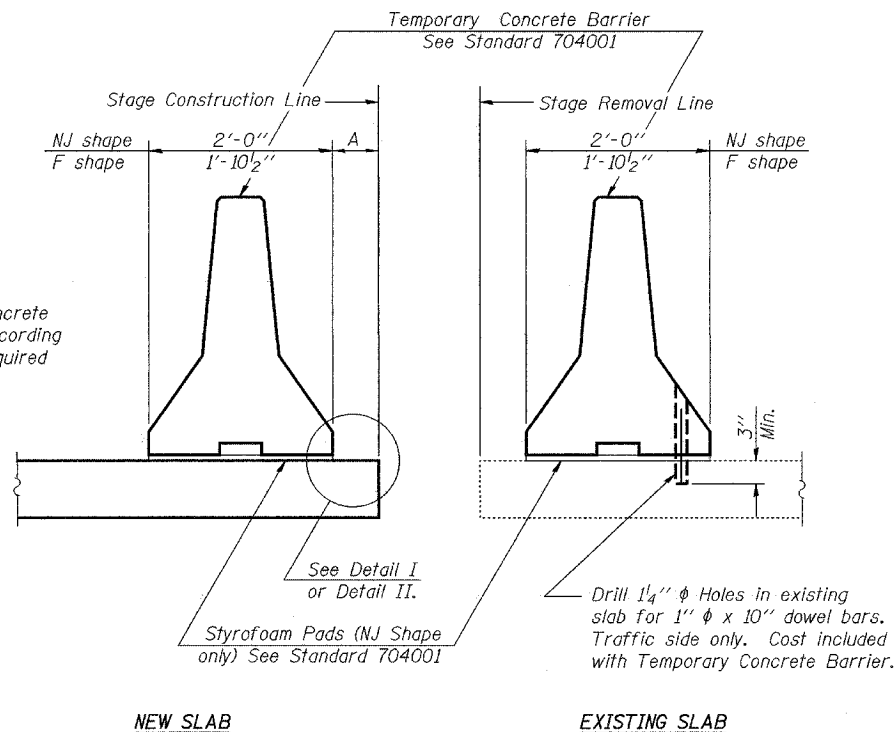


STATE OF ILLINOIS
DEPARTMENT OF TRANSPORTATION

ROUTE NO.	SECTION	COUNTY	DATE	SHEET NO.
F.A.P. 692	12-1BR -1	MADISON		29
FED. ROAD DIST. NO. 7	ILLINOIS	FED. AID PROJECT-		

SHEET NO. 4
20 SHEETS

Contract #76386

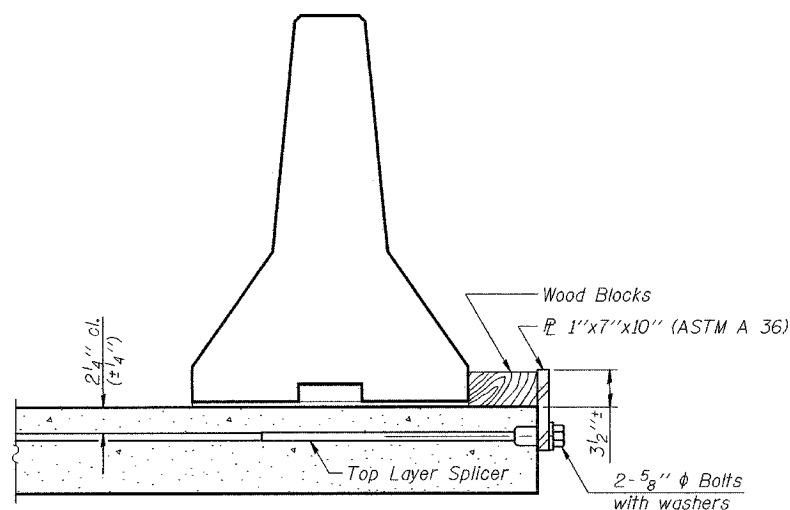


When "A" is 3'-6" or less, the temporary concrete barrier shall be anchored to the new slab according to Detail I or Detail II. No anchorage is required when "A" is greater than 3'-6".

NOTES

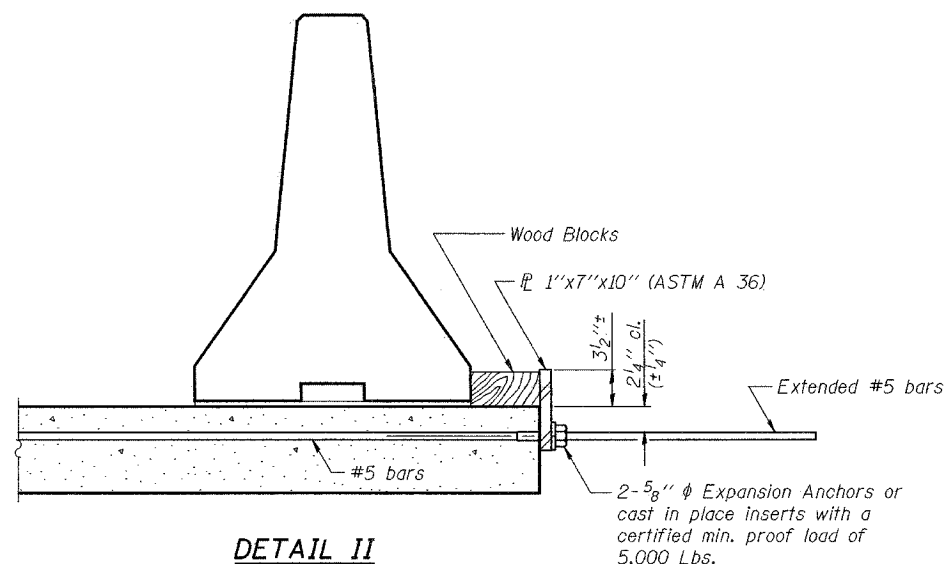
- Detail I - With Bar Splicer or Couplers:**
Connect one (1) 1"x7"x10" steel \bar{L} to the top layer of couplers with 2-5/8" ϕ bolts screwed to coupler at approximate \bar{C} of each barrier panel.
- Detail II - With Extended Reinforcement Bars:**
Connect one (1) 1"x7"x10" steel \bar{L} to the concrete slab with 2-5/8" ϕ Expansion Anchors or cast in place inserts spaced between the top layer of reinforcement at approximate \bar{C} of each barrier panel.
- Cost of anchorage is included with Temporary Concrete Barrier.

SECTION THRU SLAB



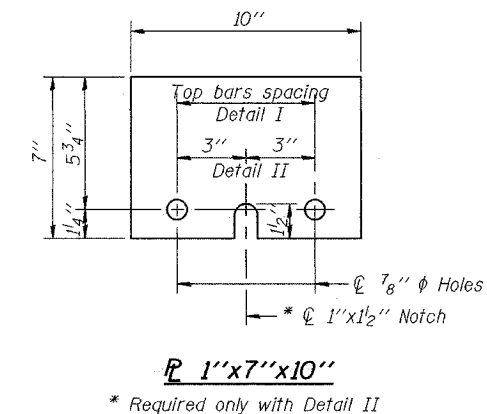
DETAIL I

The 1"x7"x10" Plate shall not be removed until Stage II Construction forms and reinforcement bars are in place.



DETAIL II

The 1"x7"x10" Plate shall not be removed until Stage II Construction forms and all reinforcement bars are in place and the concrete is ready to be placed.



DESIGNED	T. Kurtenbach
CHECKED	Alan Johnson
DRAWN	Paul Summer
CHECKED	TLK AMJ

April 22, 2005
EXAMINED *Thomas J. Demagalaki*
ENGINEER OF BRIDGE DESIGN
PASSED *Ralph E. Anderson*
ENGINEER OF BRIDGES AND STRUCTURES

R-27 10-22-04

**TEMPORARY CONCRETE BARRIER
FOR STAGE CONSTRUCTION
F.A.P. ROUTE 692 - SECTION 12-1BR-1
MADISON COUNTY
STATION 1440+97.5
STRUCTURE NO. 060-0335**