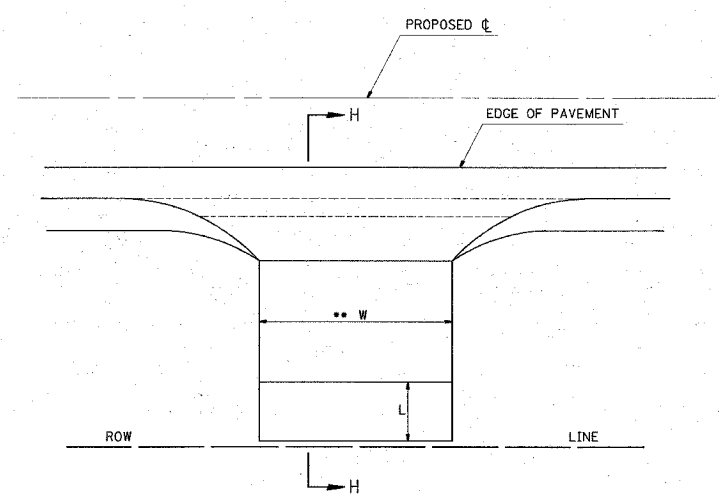


FAP ROUTE	SECTION	COUNTY	TOTAL SHEETS	SHEET NO
600	51RS-3	*	347	150
STA.	TO STA.			
CONTRACT : 76563				
* ST. CLAIR & MONROE COUNTIES				

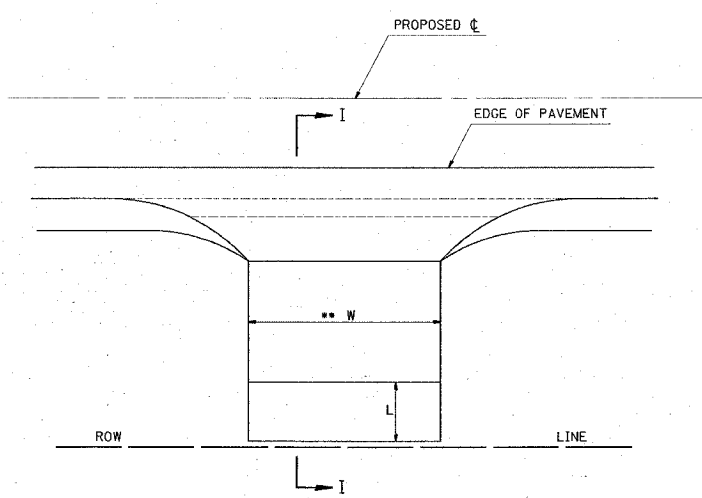
DETAIL OF BITUMINOUS ENTRANCES

W. TYPE A GUTTER
COMMERCIAL & PRIVATE ENTRANCES



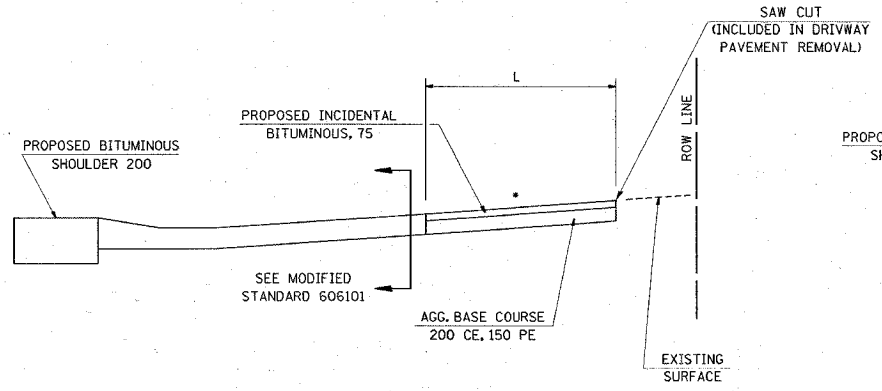
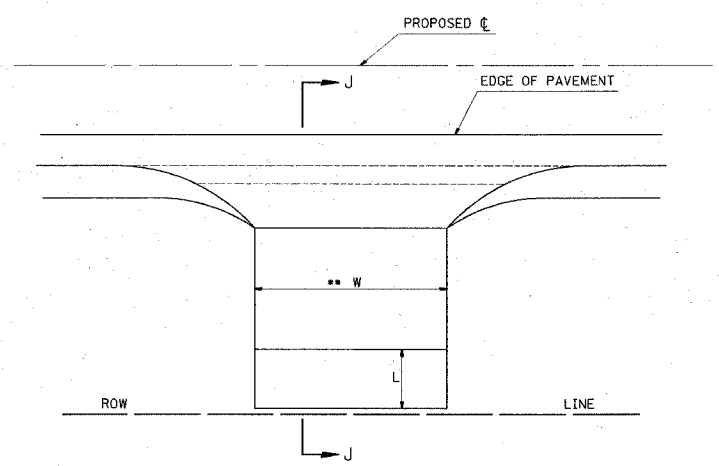
DETAIL OF AGGREGATE ENTRANCES

W. TYPE A GUTTER
COMMERCIAL & PRIVATE ENTRANCES

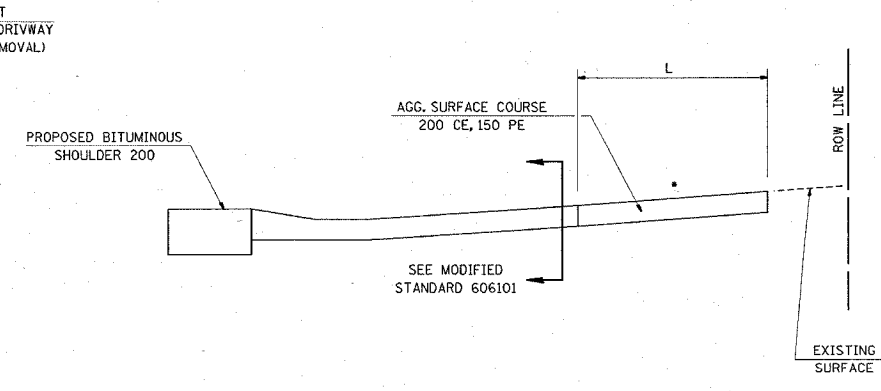


DETAIL OF FIELD ENTRANCES

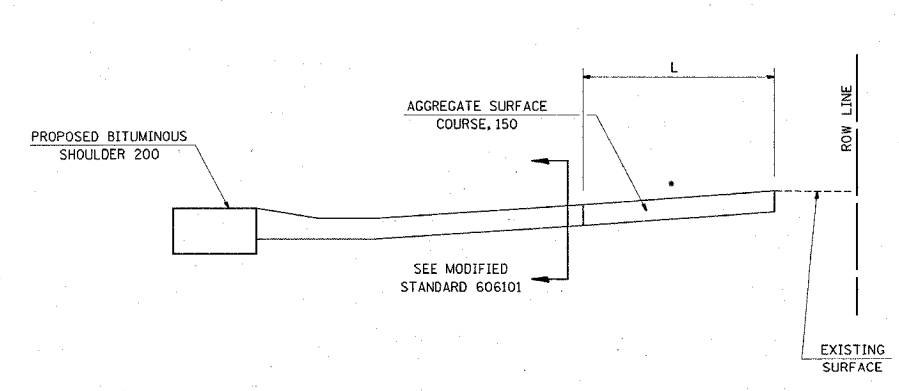
W. TYPE A GUTTER



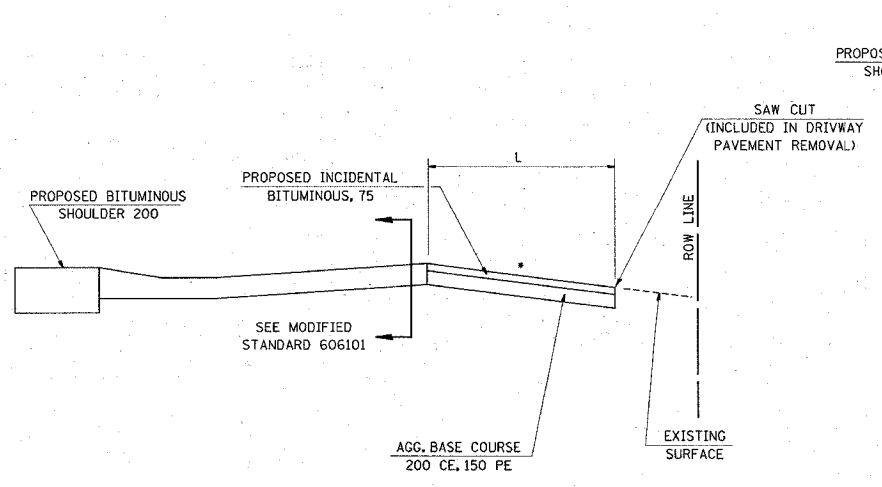
SECTION H-H WITH POSITIVE GRADE



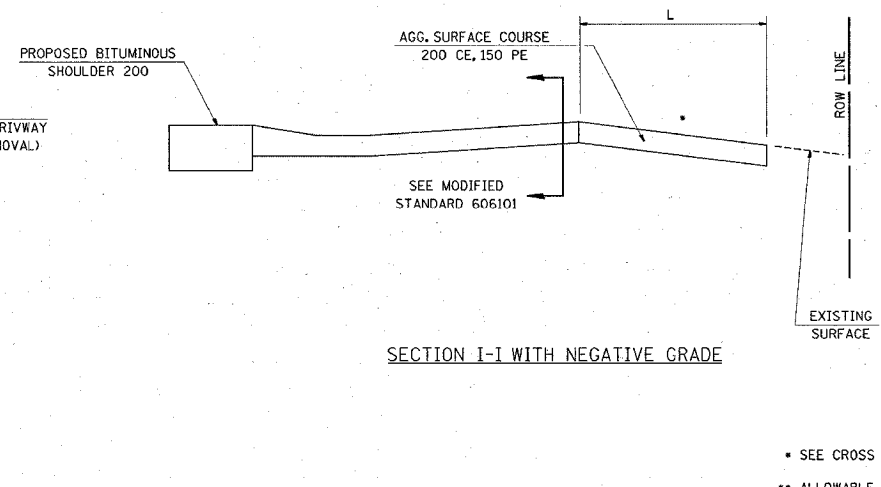
SECTION I-I WITH POSITIVE GRADE



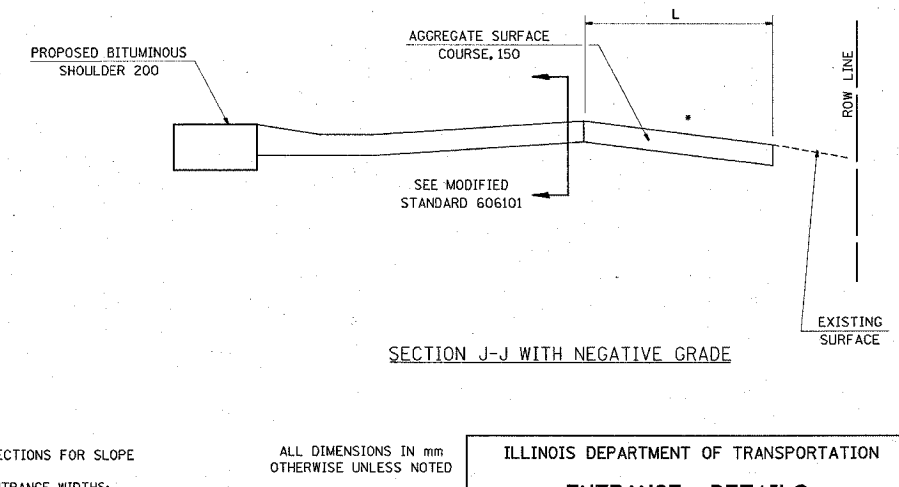
SECTION J-J WITH POSITIVE GRADE



SECTION H-H WITH NEGATIVE GRADE



SECTION I-I WITH NEGATIVE GRADE



SECTION J-J WITH NEGATIVE GRADE

- SEE CROSS SECTIONS FOR SLOPE
- ALL DIMENSIONS IN mm OTHERWISE UNLESS NOTED
- ALLOWABLE ENTRANCE WIDTHS:
FIELD 6.0 m MIN 9.1 m MAX
PRIVATE 3.6 m MIN 7.2 m MAX
COMMERCIAL 7.2 m MIN 10.7 m MAX
ALLOWABLE ENTRANCE WIDTH SHALL BE INTERPRETED TO BE THE WIDTHS AT THE END OF THE TAPERS.

REVISIONS	
NAME	DATE

ILLINOIS DEPARTMENT OF TRANSPORTATION

ENTRANCE DETAILS

FAP ROUTE 600
SECTION 51RS-3
ST. CLAIR & MONROE COUNTIES

DRAWN BY:

5/29/2005
 Tuesday, March 29, 2005 @ 2:40:29 PM
 at \\p02jct01a\mtd\36589\p02jct01a\gen\ent\ent13.dgn L:\1-63