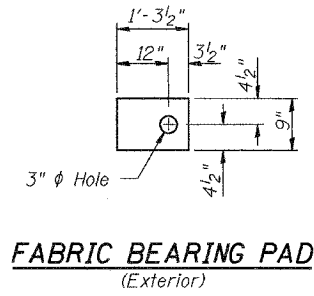
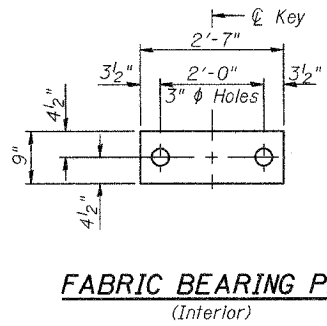


STATE OF ILLINOIS
DEPARTMENT OF TRANSPORTATION

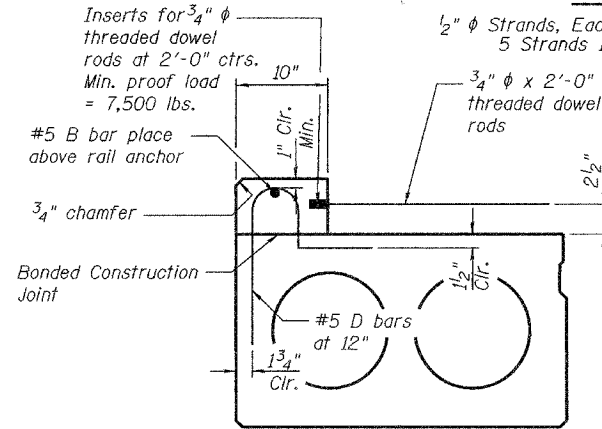
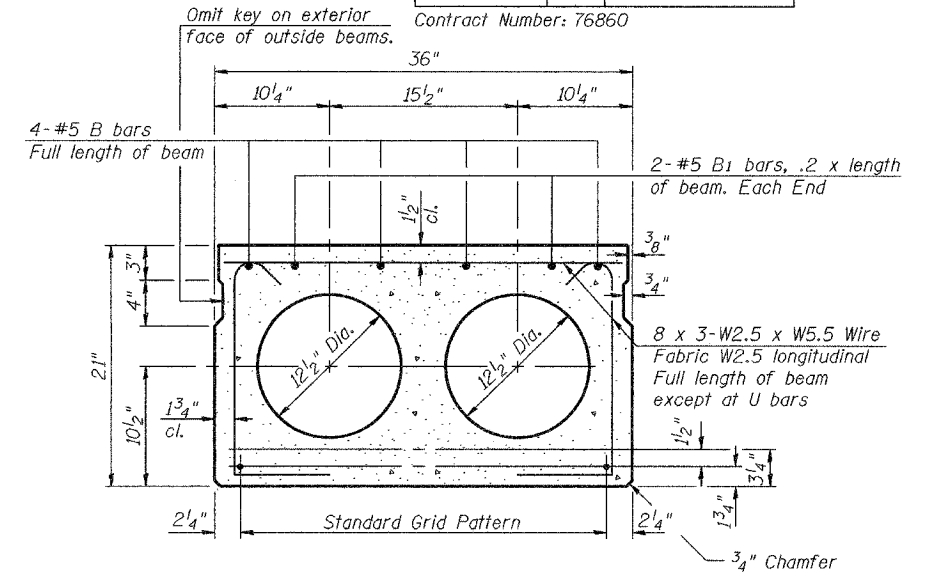
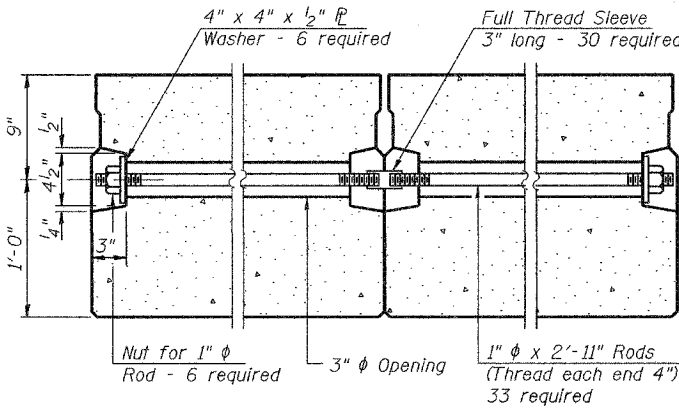
ROUTE NO.	SECTION	COUNTY	SHEETS	SHEET NO.
		Bond	24	24
FED. ROAD DIST. NO. 7	ILLINOIS	FED. AID PROJECT-		

Contract Number: 76860

SHEET NO. 3
6 SHEETS



*2'-0" anchor spacing is to be placed at the abutment end of Spans 1 and 3.



TYPICAL SECTION AT FASCIA BEAM

See section thru Interior Beams for strand pattern, dimensions and bar call outs.

Bridge rail inserts shall be cast in precast beams and curbs. Curbs shall be cast by the precast prestressed concrete supplier after strands have been released and prior to shipping the beam. The concrete in the curb shall be the same as specified for the deck beams.

The curb inserts and threaded dowel rods may be either epoxy coated or galvanized and the cost shall be included with PPC Deck Beams (21').

NOTES

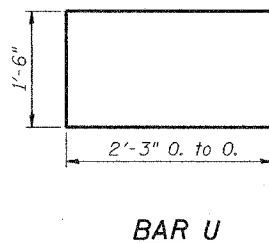
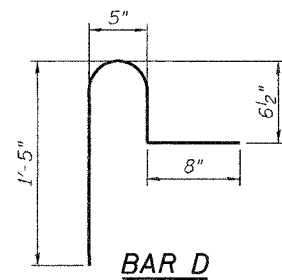
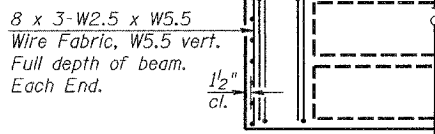
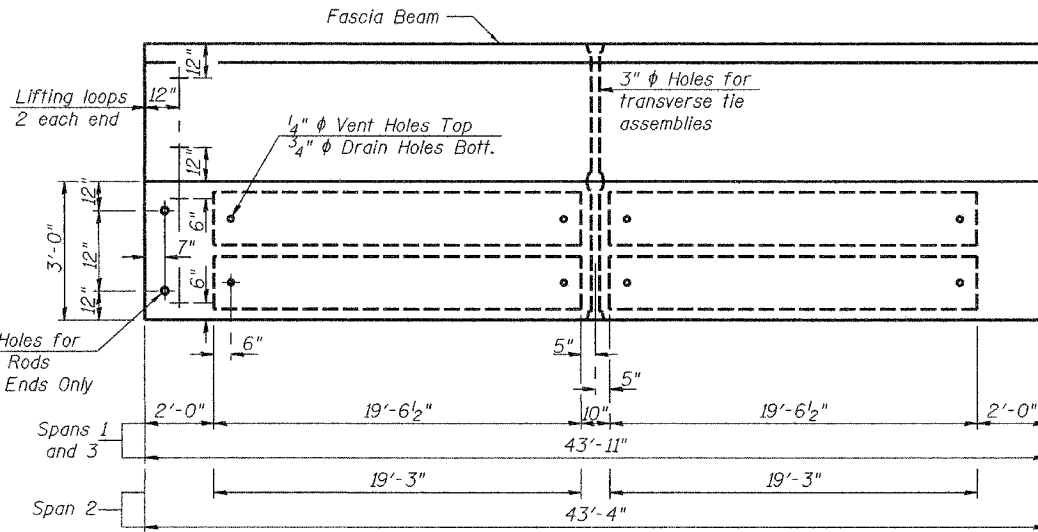
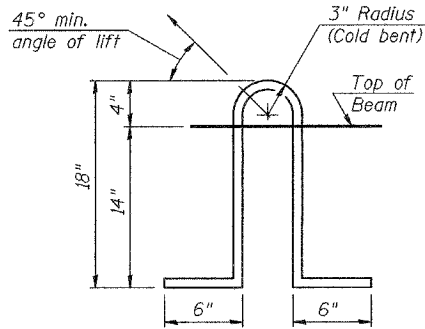
Prestressing steel shall be uncoated high strength, low relaxation 7-wire strand, Grade 270. The nominal diameter shall be 1/2" and the nominal cross-sectional area shall be 0.153 sq. in. Lifting loops shall be 2-1/2" diameter - 270 ksi strands, as shown. The 1" rods in the transverse tie assembly shall be tightened to a snug fit and the threads set. Pockets that receive transverse tie bar on outside shall be filled with grout after transverse tie assembly is in place.

Non prestressing steel shall conform to AASHTO M-31 or M-322 Grade 60. The bearing seat surfaces shall be adjusted by shimming to assure firm and even bearing. Two 1/8" fabric adjusting shims of the dimensions of the Exterior Bearing Pad shall be provided for each bearing.

Keyway surfaces shall be cleaned to remove form oil or other bond breaking material prior to shipment of the beams. Cleaning shall be done by sandblasting the keyway areas between top of the beam and the bottom edge of the key.

Corrosion Inhibitor, as covered in the Special Provisions, shall be used in the concrete for precast prestressed concrete deck beams.

Required Release Strength, f'ci, shall be 4000 p.s.i.



BILL OF MATERIAL

Bar	No.	Size	Length	Shape
Precast Prestressed Conc. Deck Bms. (21')		Sq. Ft.	4,329	

BEAM DETAILS
F.A. RT. 785
BOND COUNTY
SN 003-0025

DESIGNED	P.S.J.
CHECKED	V.H.V.
DRAWN	Drew Christopher
CHECKED	P.S.J. V.H.V.

EXAMINED	John A. Morris ENGINEER OF STRUCTURAL SERVICES
PASSED	Ralph E. Anderson ENGINEER OF BRIDGES AND STRUCTURES

May 9, 2005