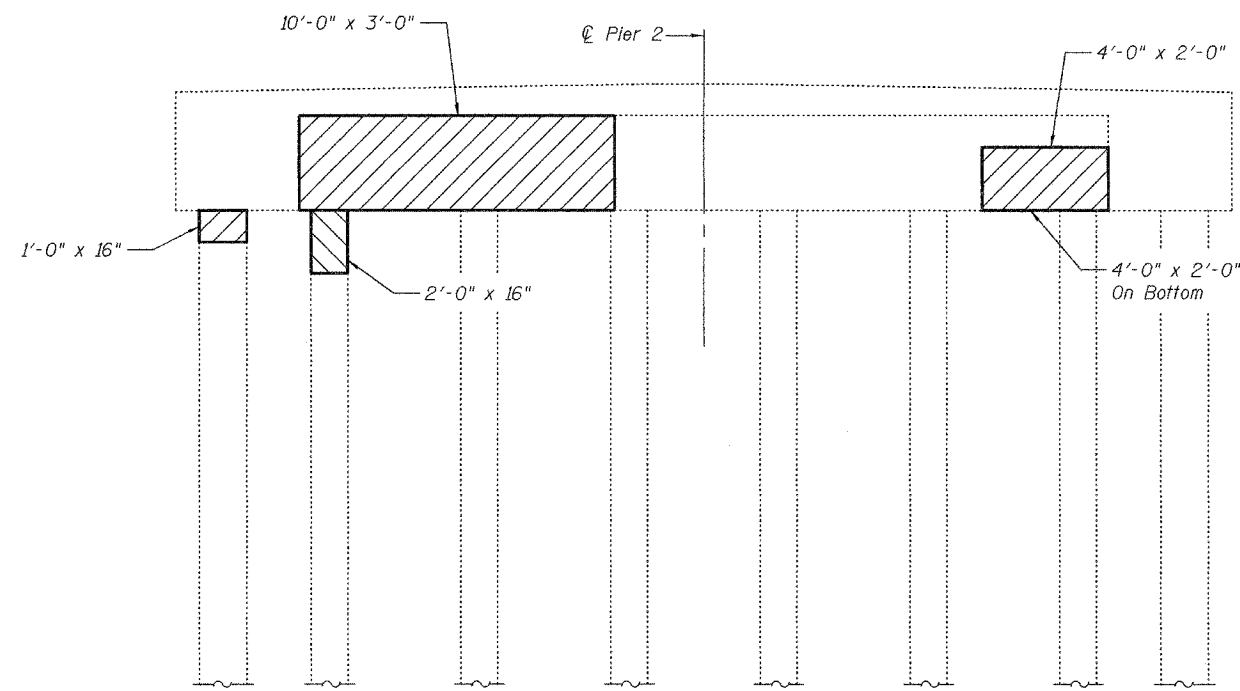


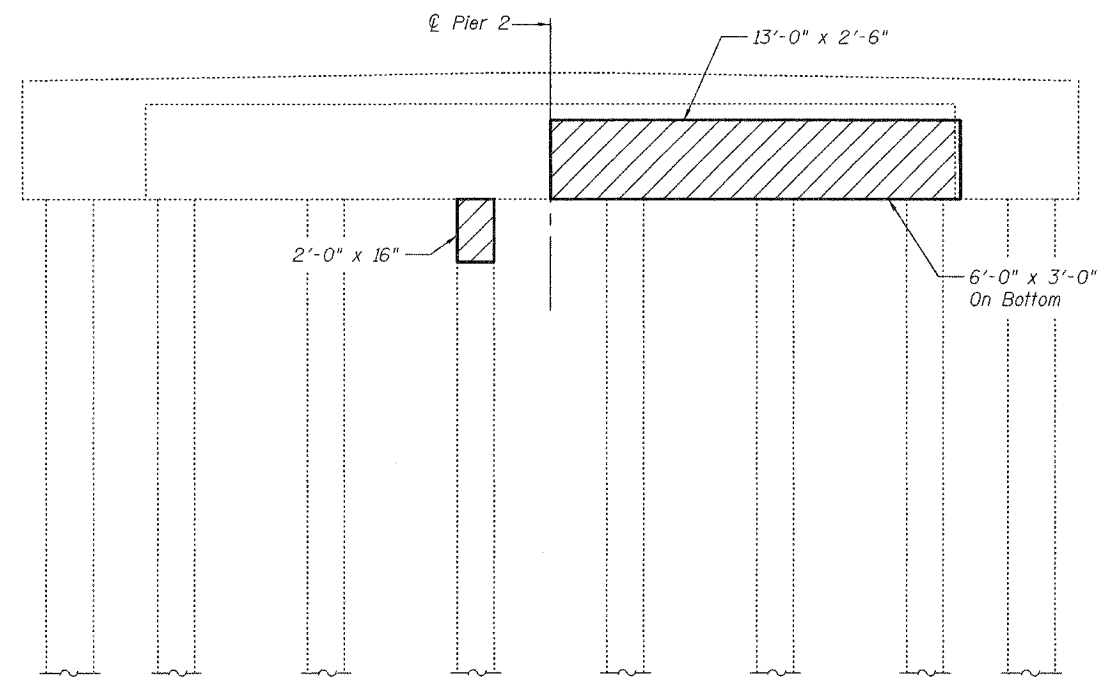
STATE OF ILLINOIS
DEPARTMENT OF TRANSPORTATION

ROUTE NO.	SECTION	COUNTY	TOTAL SHEETS	SHEET NO.	SHEET NO. 6
		Bond	26	26A	6 SHEETS
FED. ROAD DIST. NO. 7	ILLINOIS	FED. AID PROJECT			

Contract Number: 76860



WEST SIDE PIER 2
(Looking East)



EAST SIDE PIER 2
(Looking West)

Note
Hatched area indicates approximate area
of Formed Concrete Repair. Exact repair
area to be determined by Engineer.

BILL OF MATERIAL

Formed Concrete Repair (≤5")	Sq. Ft.	103
---------------------------------	---------	-----

DESIGNED	P.S.J.
CHECKED	V.H.V.
DRAWN	Drew Christopher
CHECKED	P.S.J. V.H.V.

May 9, 2005
EXAMINED *John A. Morris*
ENGINEER OF STRUCTURAL SERVICES
PASSED *Ralph E. Anderson*
ENGINEER OF BRIDGES AND STRUCTURES

PIER 2 FORMED CONCRETE REPAIRS
F.A. RT. 785
BOND COUNTY
SN 003-0025