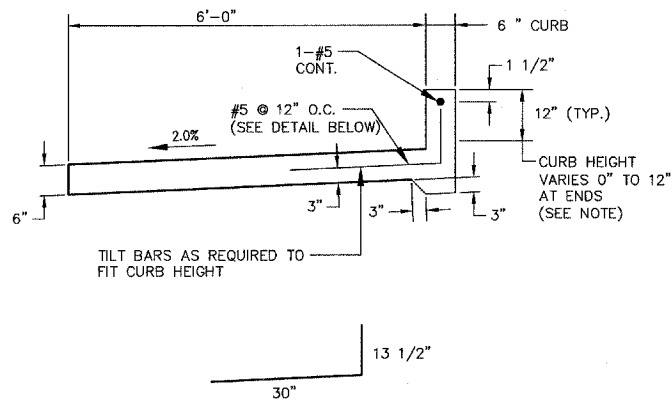


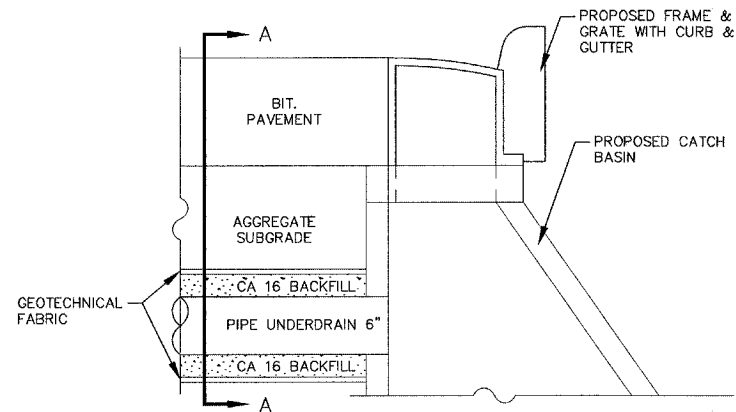
| | | | |
|--|--------------|---------|-------------|
| F.A.U. ROUTE | CONTRACT NO. | COUNTY | TOTAL SHTS. |
| 0126 | 83776 | McHENRY | 77 |
| STATE SECTION 96-00080-00-FP | | | |
| SPECIAL DETAILS | | | |
| F.H.W.A. REG.5 ILLINOIS PROJECT M-8003 | | | |



NOTE: TAPER CURB HEIGHT FROM 0" TO 12" WITHIN 5' TRANSITION (5:1 SLOPE)

**PORTLAND CEMENT CONCRETE SIDEWALK,
6 INCH SPECIAL DETAIL**

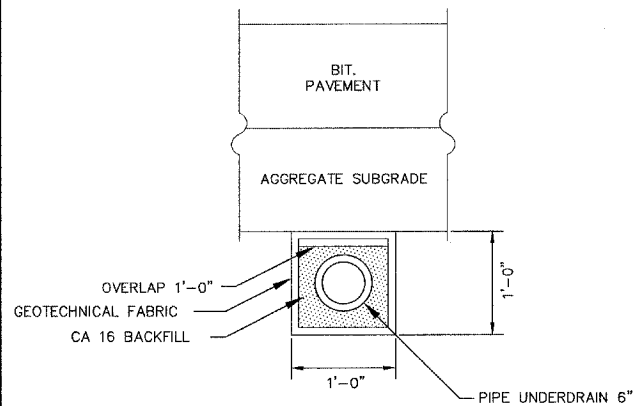
(N.T.S.)



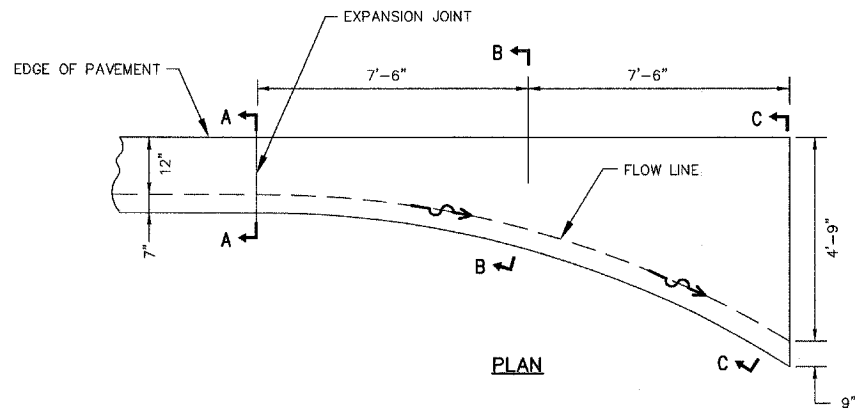
SECTION A-A

PIPE UNDERDRAIN, 6" DETAIL

(N.T.S.)



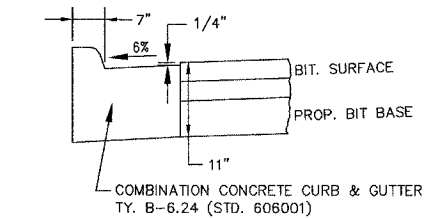
SECTION A-A



SECTION A-A

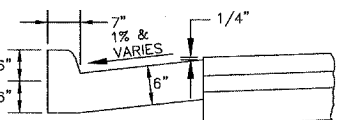
GUTTER OUTLET, SPECIAL DETAIL

(N.T.S.)

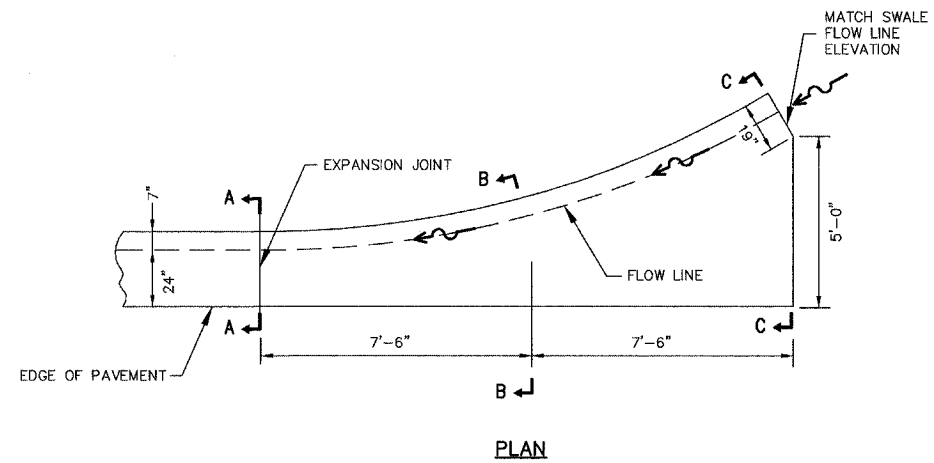


SECTION C-C

NOTE: GUTTER OUTLET PAID FOR AS COMB. CONC. CURB & GUTTER TY B-6.24



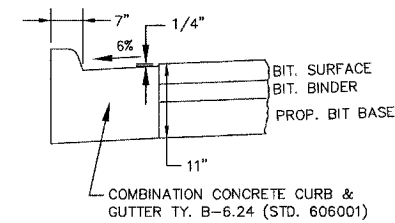
SECTION B-B



SECTION A-A

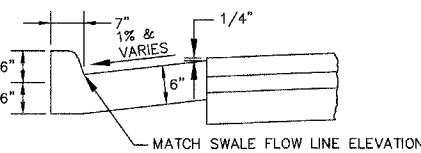
GUTTER INLET, SPECIAL DETAIL

(N.T.S.)

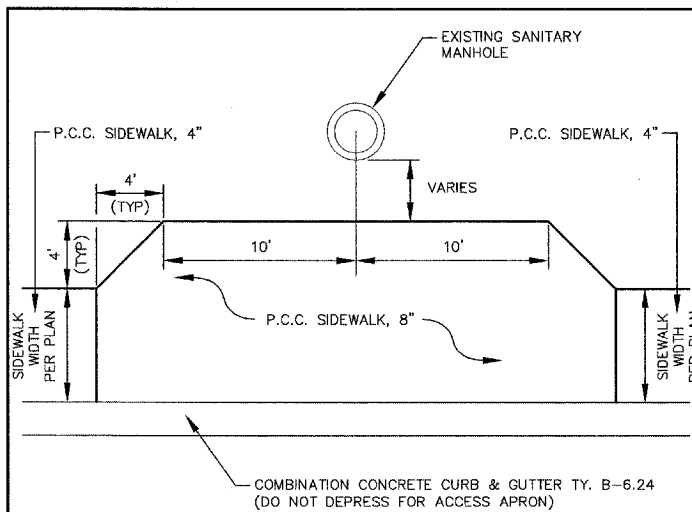


SECTION C-C

NOTES:
GUTTER INLET TO BE FORMED AND PLACED FOLLOWING PLACEMENT OF BITUMINOUS BASE COURSE.
GUTTER INLET PAID FOR AS COMB. CONC. CURB & GUTTER TY B-6.24.



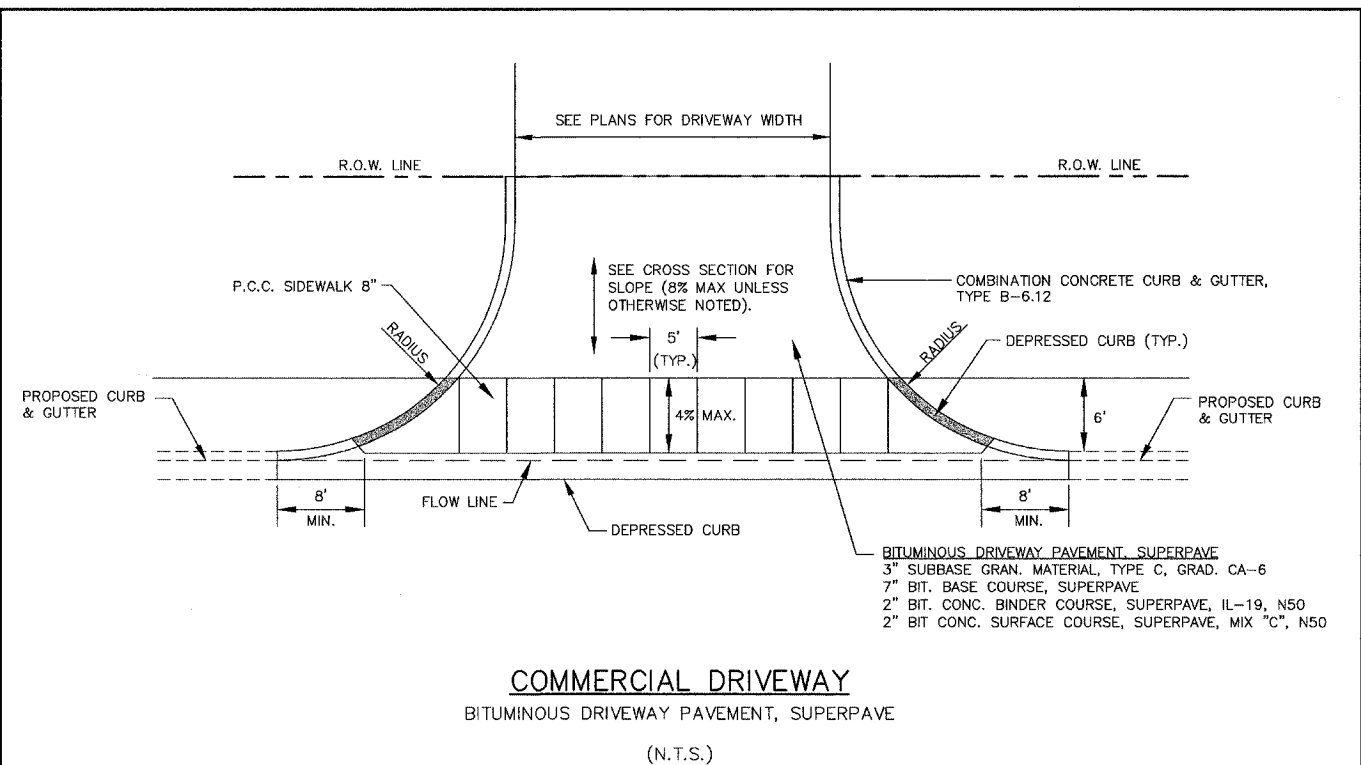
SECTION B-B



ACCESS APRON DETAIL

(N.T.S.)

NOTE: CONSTRUCTION OF ACCESS APRON WILL BE PAID FOR AS P.C.C. SIDEWALK, 8"



COMMERCIAL DRIVEWAY

BITUMINOUS DRIVEWAY PAVEMENT, SUPERPAVE

(N.T.S.)

BITUMINOUS DRIVEWAY PAVEMENT, SUPERPAVE
3" SUBBASE GRAN. MATERIAL, TYPE C, GRAD. CA-6
7" BIT. BASE COURSE, SUPERPAVE
2" BIT. CONC. BINDER COURSE, SUPERPAVE, IL-19, N50
2" BIT CONC. SURFACE COURSE, SUPERPAVE, MIX "C", N50