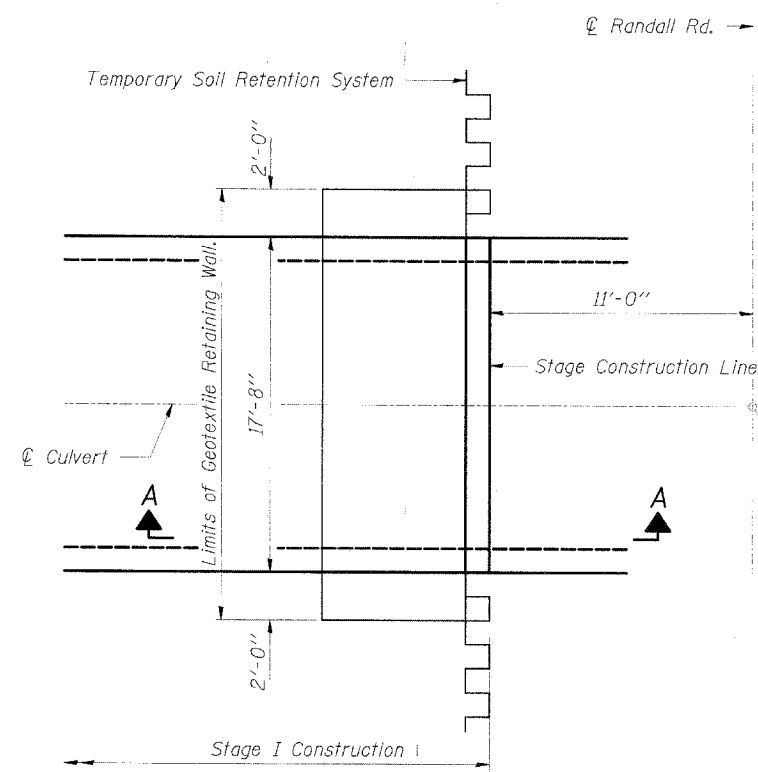
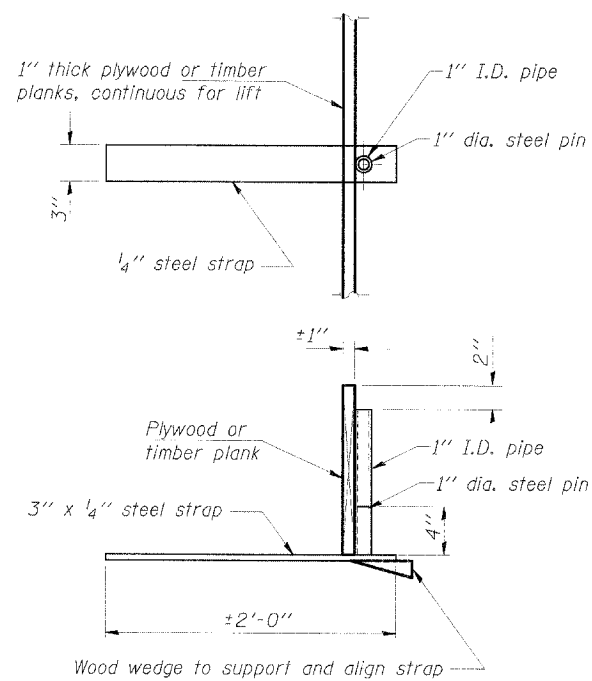


**SECTION A-A**



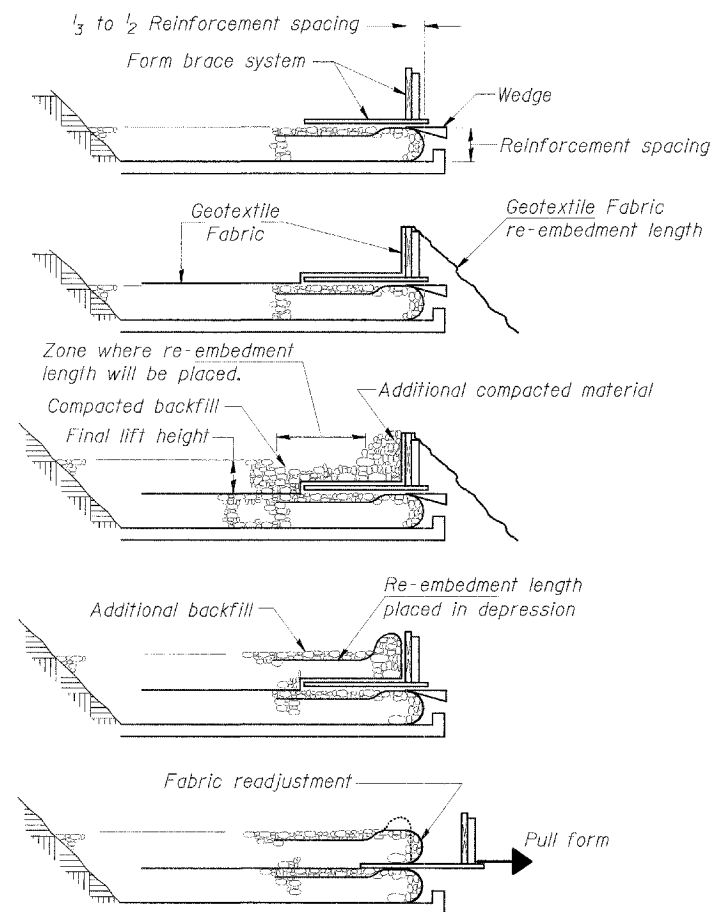
**PLAN**



**SUGGESTED GEOTEXTILE TEMPORARY FORM BRACE SYSTEM DETAIL**

Note:  
This is a suggested detail, the Contractor is responsible for the design of the form brace system to be used.

℄ Randall Road  
Sta. 11+25  
℄ Bike Path  
Sta. 10+00



1. Place form brace system on completed reinforcement level; back from the finished fabric face a distance of  $\frac{1}{3}$  to  $\frac{1}{2}$  the reinforcement spacing.
2. Position fabric so that the required re-embedment length extends over the top of the form brace and the design reinforcement width is placed with no slack against the previous level.
3. Compact backfill material in lifts to final lift height, create ( $\pm 3''$ ) depression in zone where re-embedment length will be located and place additional height of compacted material against form brace.
4. Fold fabric re-embedment length back over form brace into zone where depression was made in backfill and place additional compacted backfill, ( $\pm 3''$ ) to embed fabric and bring to final lift height.
5. Pull form brace outward allowing fabric face to slightly readjust to form tight round face and level with plan reinforcement spacing.

**GEOTEXTILE WALL CONSTRUCTION PROCEDURE**

Note: The geotextile fabric shall meet the requirements of Section 210 of the Standard Specifications.

**BILL OF MATERIAL**

ITEM	UNIT	TOTAL
Geotechnical Fabric for Ground Stabilization	Sq. Yd.	96

**HLR**  
Rice, Berry and Associates  
A Division of Hempton, Lenzini and Renwick, Inc.  
Civil & Structural Engineers  
801 S. Durkin Drive  
Springfield, Illinois 62704  
217-546-3400  
P. O. Box 1036  
DuQuoin, Illinois 62832  
618-790-4637  
Account Number: 03-05-0181-1  
Date: 6-09-04  
DESIGNED: P.S.L. CHECKED: C.L.B. DRAWN: D.S.S.

**GEOTEXTILE RETAINING WALL**  
**SECTION 99-00243-00-PV**  
**BIKE PATH UNDER RANDALL ROAD**  
**KANE COUNTY**  
**STATION 11+25**