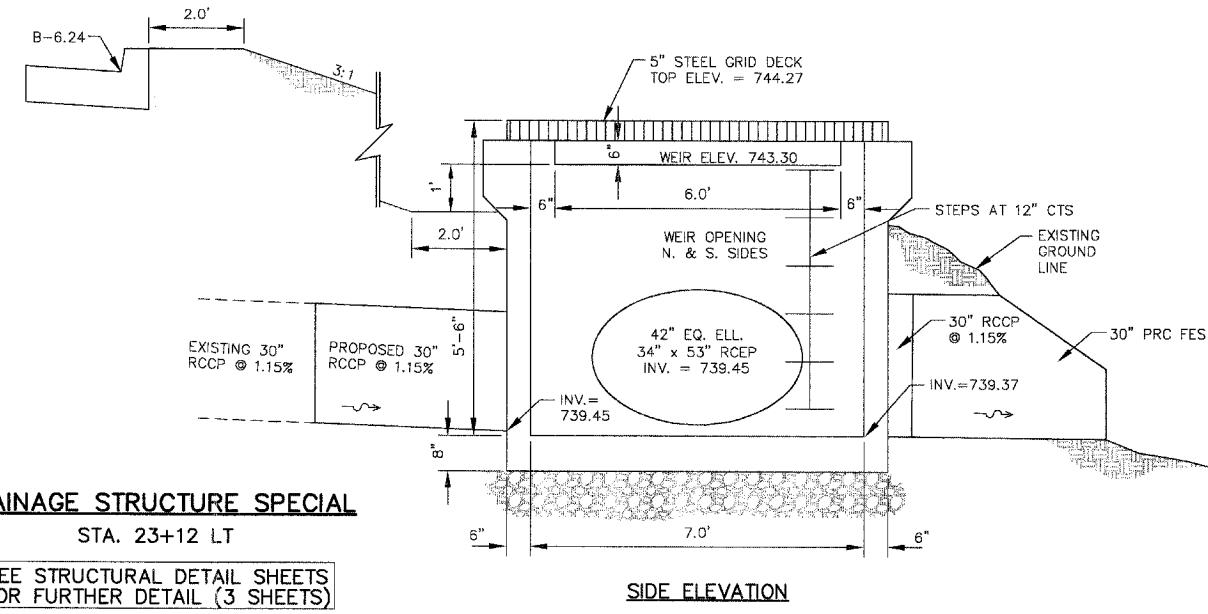
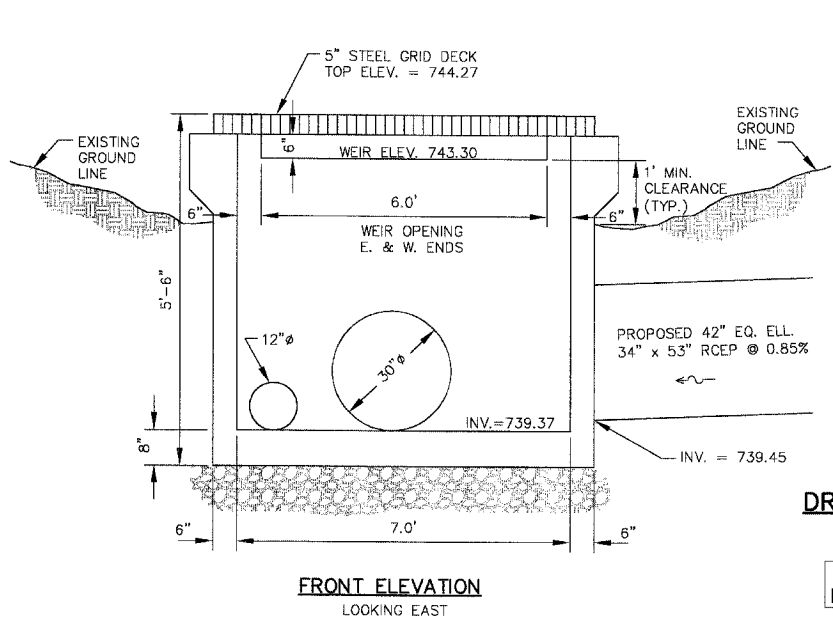
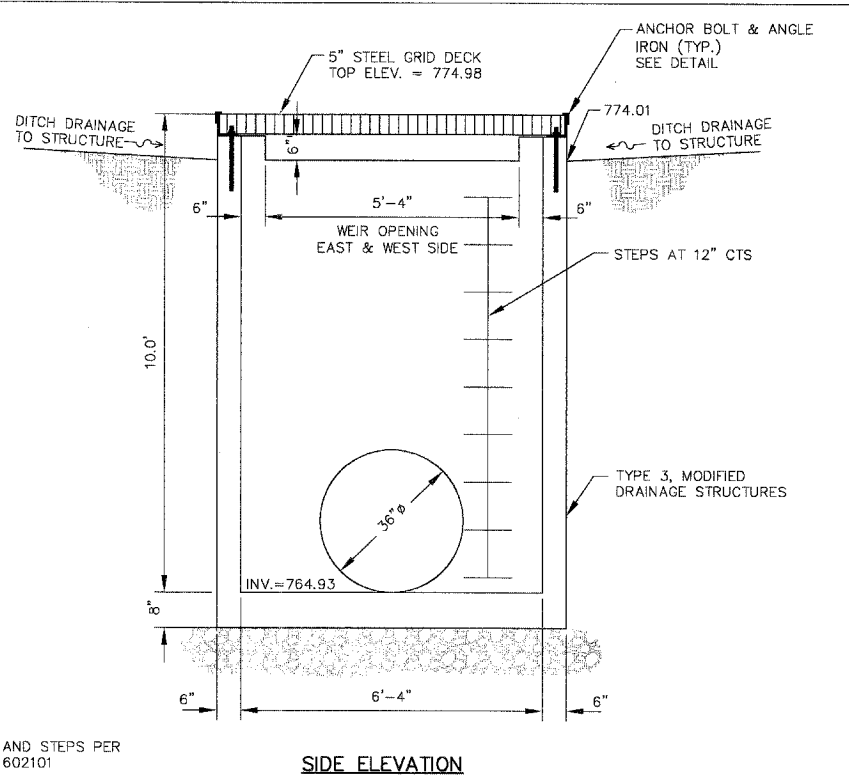
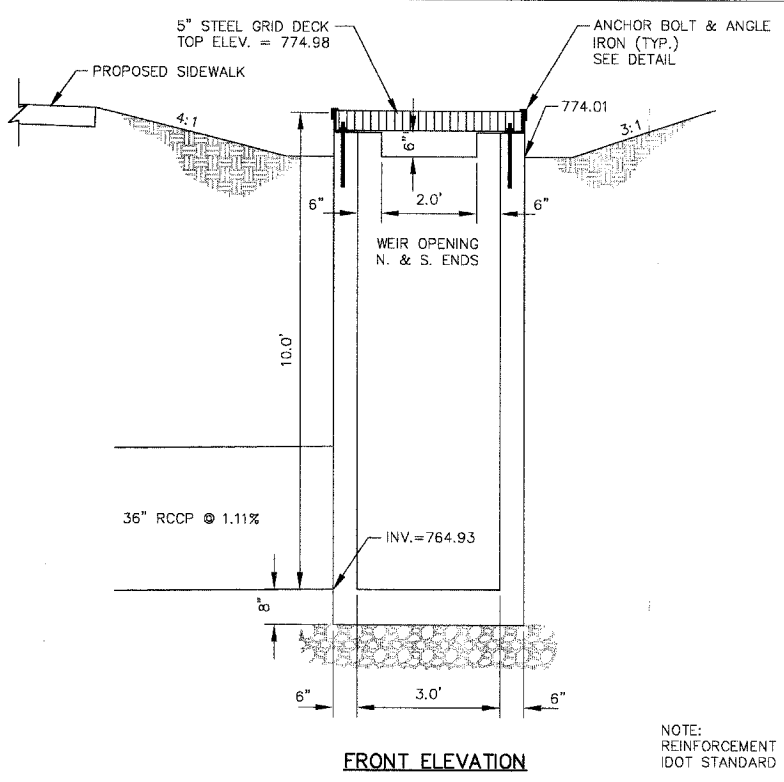
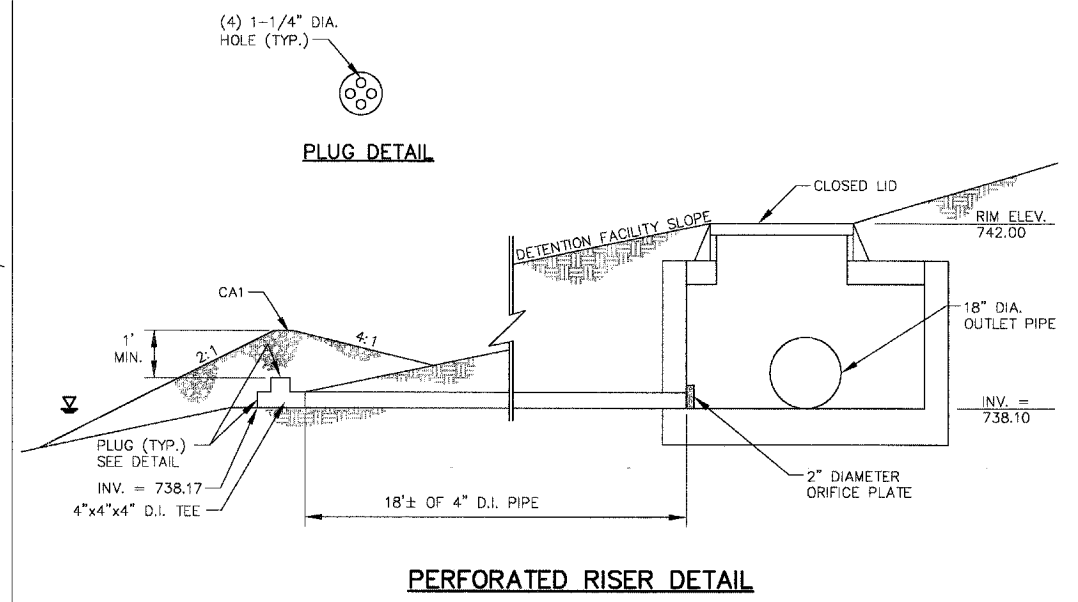


F.A.P. ROUTE	COUNTY SECTION	COUNTY	TOTAL SH.
336	99-00243-00-PV	KANE	268
STATE SECTION		SPECIAL DETAILS	
83782		F.H.W.A. REG.5 ILLINOIS PROJECT F-0336(0	

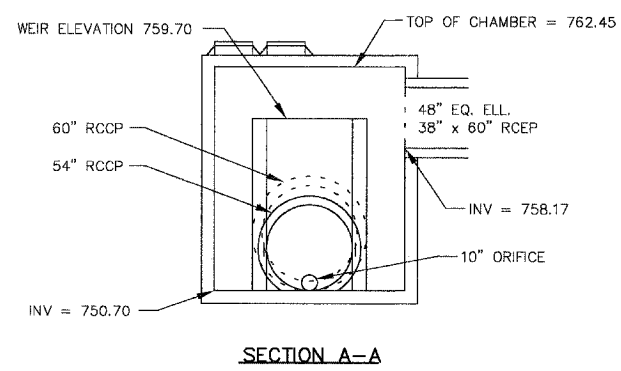
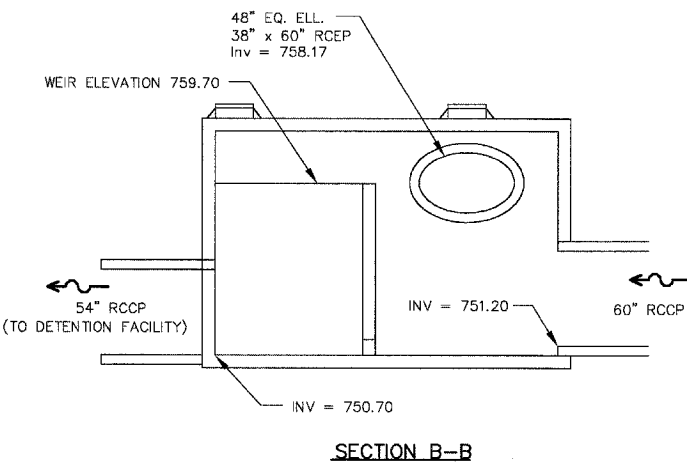
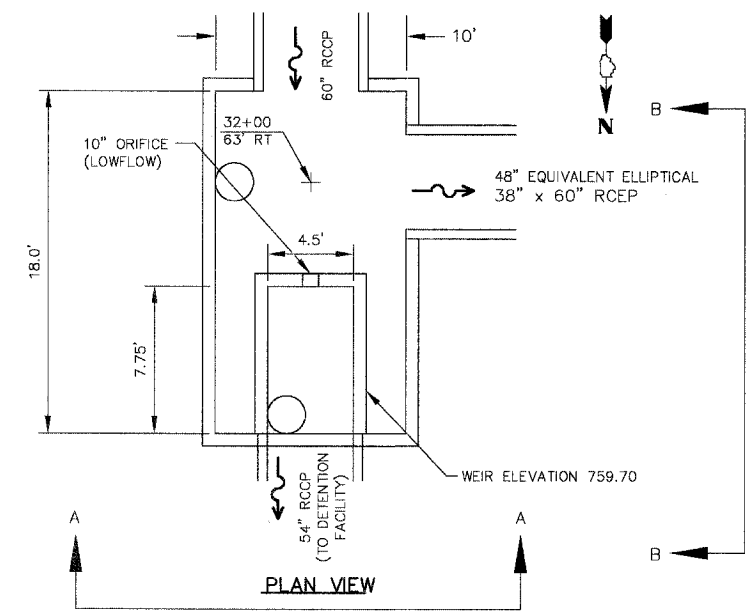


**DRAINAGE STRUCTURE SPECIAL**  
STA. 23+12 LT  
SEE STRUCTURAL DETAIL SHEETS FOR FURTHER DETAIL (3 SHEETS)



**DRAINAGE STRUCTURE, TYPE 3 (MODIFIED)**  
STA. 44+40 RT

NOTE: REINFORCEMENT AND STEPS PER IDOT STANDARD 602101



**SPLIT FLOW JUNCTION STRUCTURE**  
STA. 32+00 RT.  
SEE STRUCTURAL DETAIL SHEETS FOR FURTHER DETAIL (3 SHEETS)

