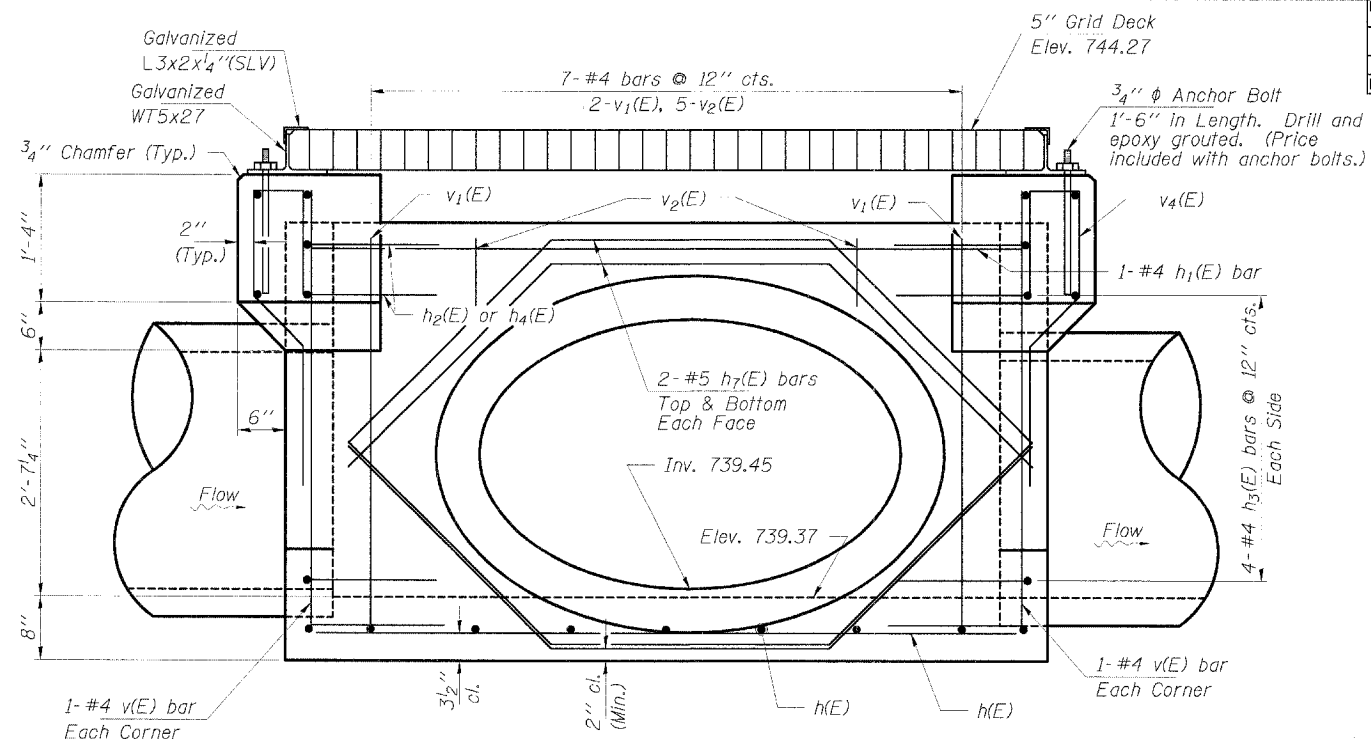
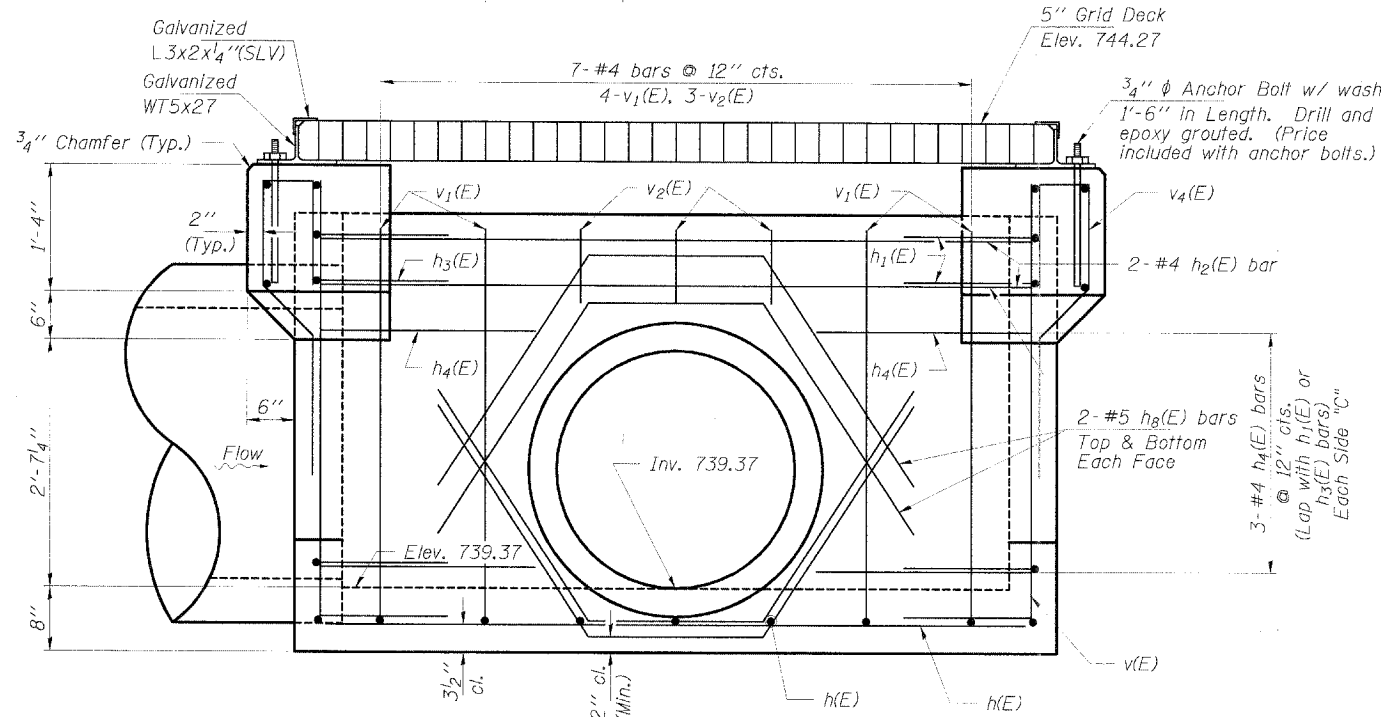


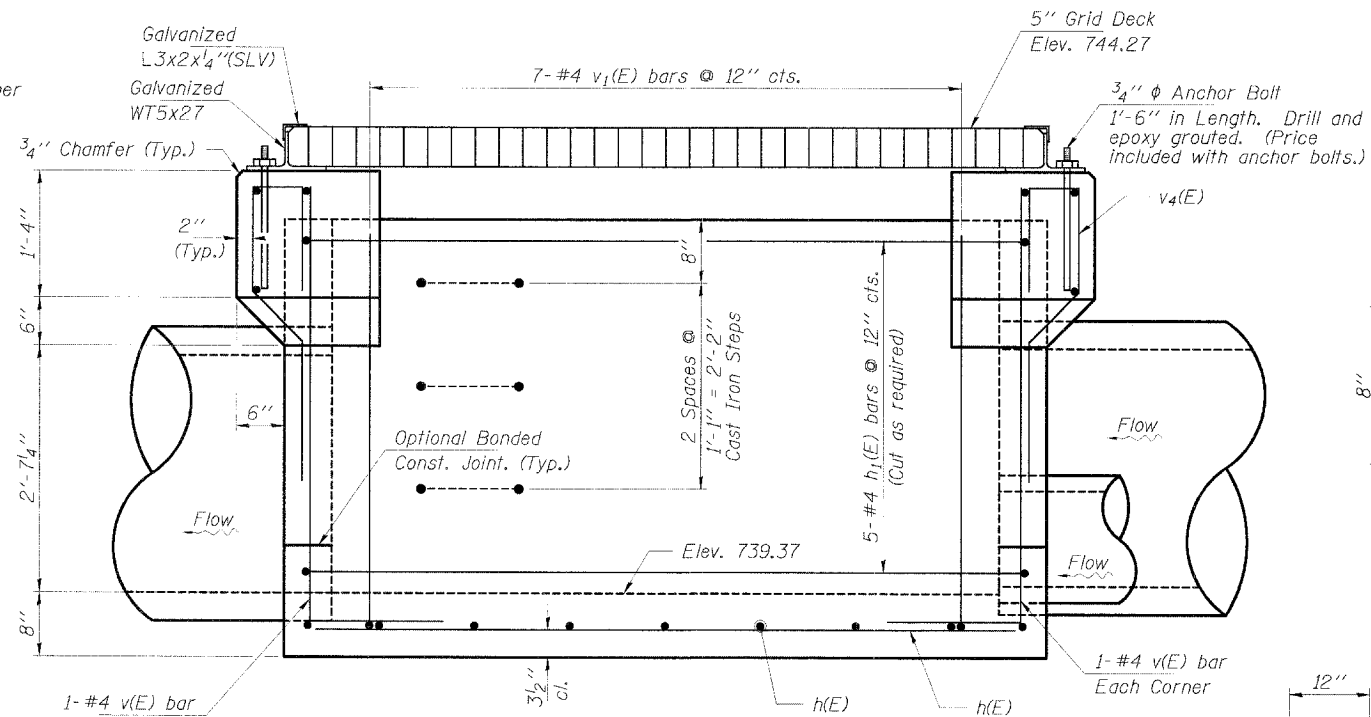
SIDE "A"



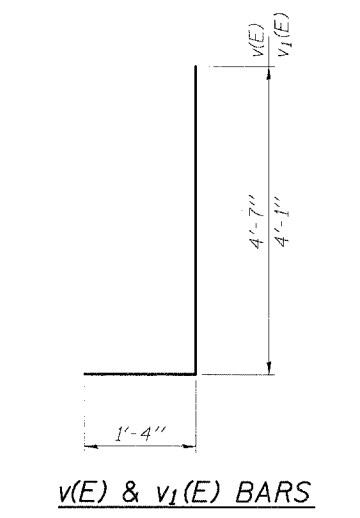
SIDE "B"



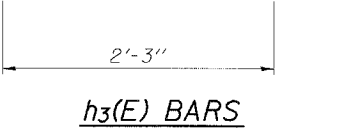
SIDE "C"



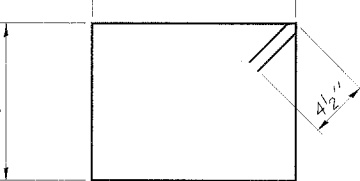
SIDE "D"



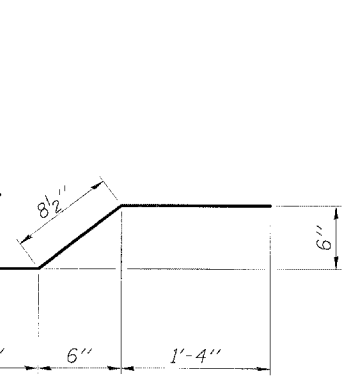
v(E) & v1(E) BARS



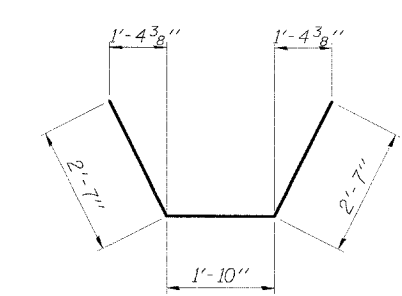
h3(E) BARS



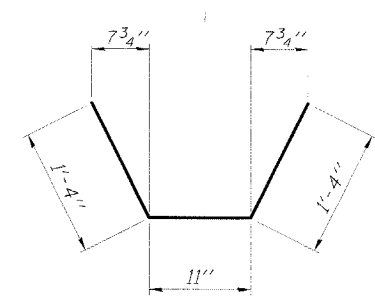
s(E) BAR



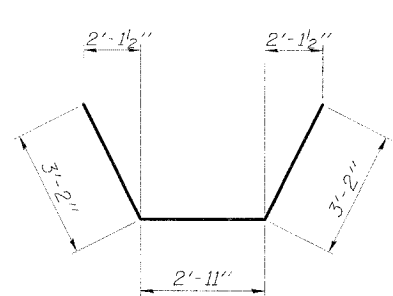
v4(E) BAR



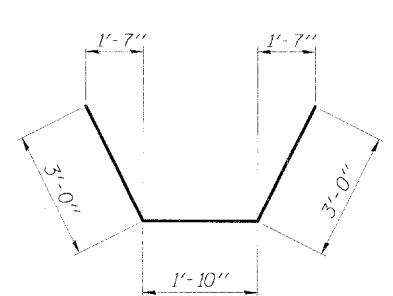
h5(E) BAR



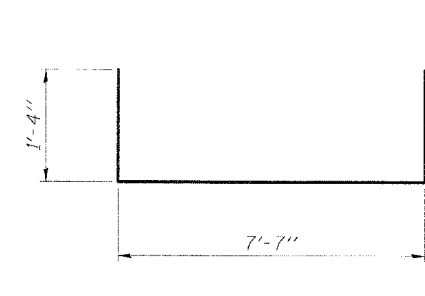
h6(E) BAR



h7(E) BAR



h8(E) BAR



h1(E) BAR

HLR
 Rice, Berry and Associates
 A Division of Hampton, Lenzini and Renwick, Inc.
 Civil & Structural Engineers
 801 S. Durkin Drive
 Springfield, Illinois 62704
 217-546-3400
 P.O. Box 1036
 DuQuoin, Illinois 62832
 618-790-4637
 Account Number 03-05-081-1
 Date: 01-11-05
 DESIGNED: S.M.S. CHECKED: S.W.V. DRAWN: D.H.

DRAINAGE STRUCTURE SPECIAL
 SECTION 99-00243-00-PV
 RANDALL ROAD
 KANE COUNTY
 STATION 23+12