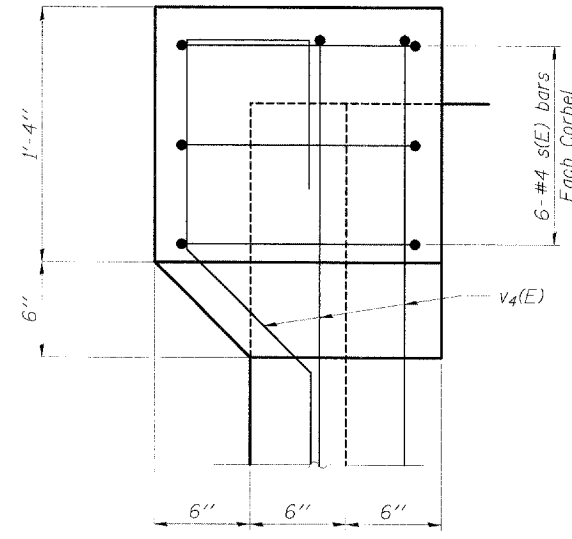
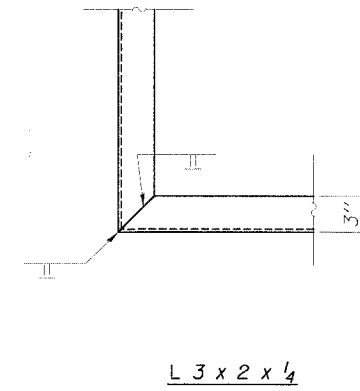


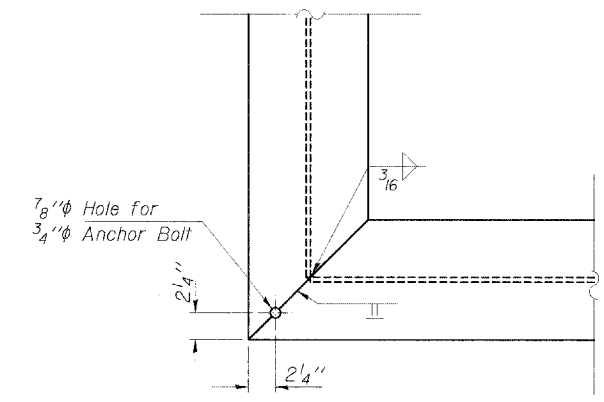
**CORBEL DETAIL**



**SECTION A-A**

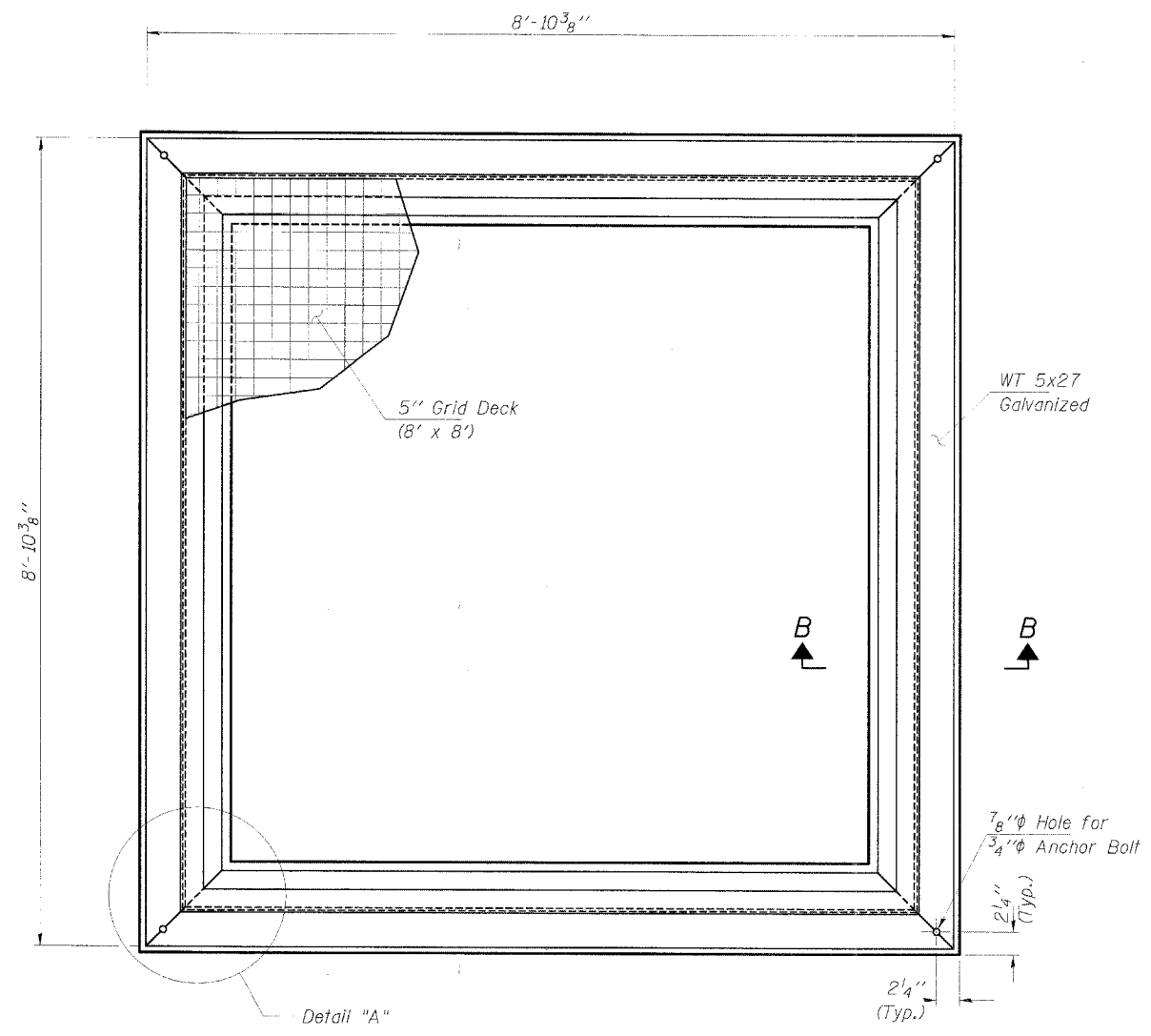


**L 3 x 2 x 1/4**

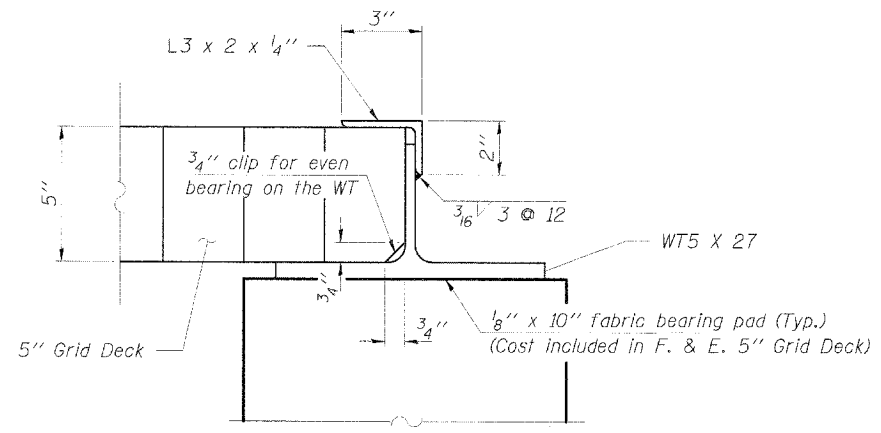


**WT 5 x 27**

**DETAIL "A"**



**GRID DECK ASSEMBLY**



**SECTION B-B**

**MIN. BAR LAP**  
#4 = 1'-4"

**BILL OF MATERIAL**

BAR	NO.	SIZE	LENGTH	SHAPE	
h(E)	18	#5	7'-8"	—	
h1(E)	6	#4	10'-3"	—	
h2(E)	4	#4	7'-7"	—	
h3(E)	8	#4	3'-7"	—	
h4(E)	14	#4	2'-3"	—	
h5(E)	8	#5	7'-0"	—	
h6(E)	8	#5	3'-7"	—	
h7(E)	8	#5	9'-3"	—	
h8(E)	8	#5	7'-10"	—	
s(E)	24	#4	4'-5"	—	
v(E)	4	#4	5'-11"	—	
v1(E)	16	#4	5'-5"	—	
v2(E)	11	#4	9"	—	
v3(E)	1	#4	2'-6"	—	
v4(E)	16	#4	4'-10"	—	
Concrete Structures				Cu. Yd.	3.6
Reinf. Bars, Epoxy Coated				Pounds	680
Furnishing & Erecting 5" Grid Deck				Sq. Ft.	64
Cast Iron Steps				Each	3

**Notes:**  
 Cost of the WT, angle, anchor bolts, and fabric bearing pad, shall be included in the price of the "F. & E. 5" Grid Deck".  
 The grid deck shall conform to the requirements of A.S.T.M. A-709 Grade 50 material. The section shall have a minimum section modulus of 4.2 in<sup>3</sup>/ft (top) and 5.2 in<sup>3</sup>/ft (bottom).  
 Steel Angles shall conform to the requirements of A.A.S.H.T.O. designation M-270 Grade 36. WT shall conform to requirements of A.A.S.H.T.O. Designation M-270 Grade 50.  
 Bolts, cap screws, and nuts shall conform to the requirements of A.S.T.M. designation A-307 except for high strength bolts, nuts and washers noted which shall conform to A.A.S.H.T.O. designation M-164.  
 All bolts, nuts, cap screws, washers and lock washers shall be galvanized in accordance with A.A.S.H.T.O. designation M-232.  
 All WT sections, grid deck, anchor devices and angles shall be galvanized after shop fabrication in accordance with A.S.T.M. A-385 and A.A.S.H.T.O. M-111. Galvanized members shall not be painted.  
 All field drilled holes shall be coated with an approved zinc rich paint before erection.

**HLR**  
 Rice, Berry and Associates  
 A Division of Hampton, Lenzini and Bonwick, Inc.  
 Civil & Structural Engineers  
 801 S. Durkin Drive  
 Springfield, Illinois 62704  
 217-546-3400  
 Account Number: P.O. Box 1036  
 03-05-0181-1 DuQuoin, Illinois 62832  
 Date: C-1-05 618-790-4637  
 DESIGNED: S.M.S. CHECKED: S.W.M. DRAWN: D.B.

**DRAINAGE STRUCTURE SPECIAL**  
**SECTION 99-00243-00-PV**  
**RANDALL ROAD**  
**KANE COUNTY**  
**STATION 23+12**