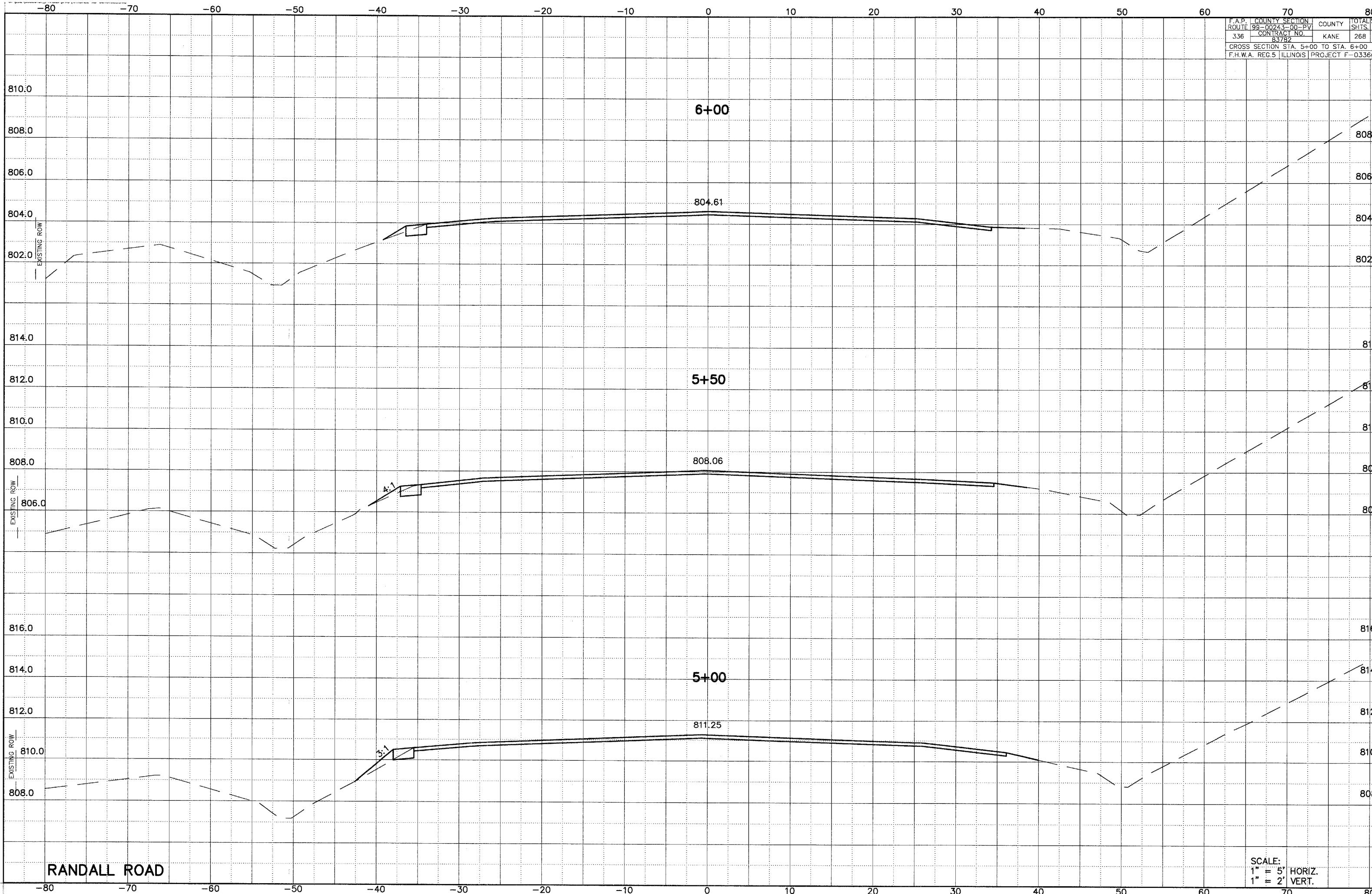
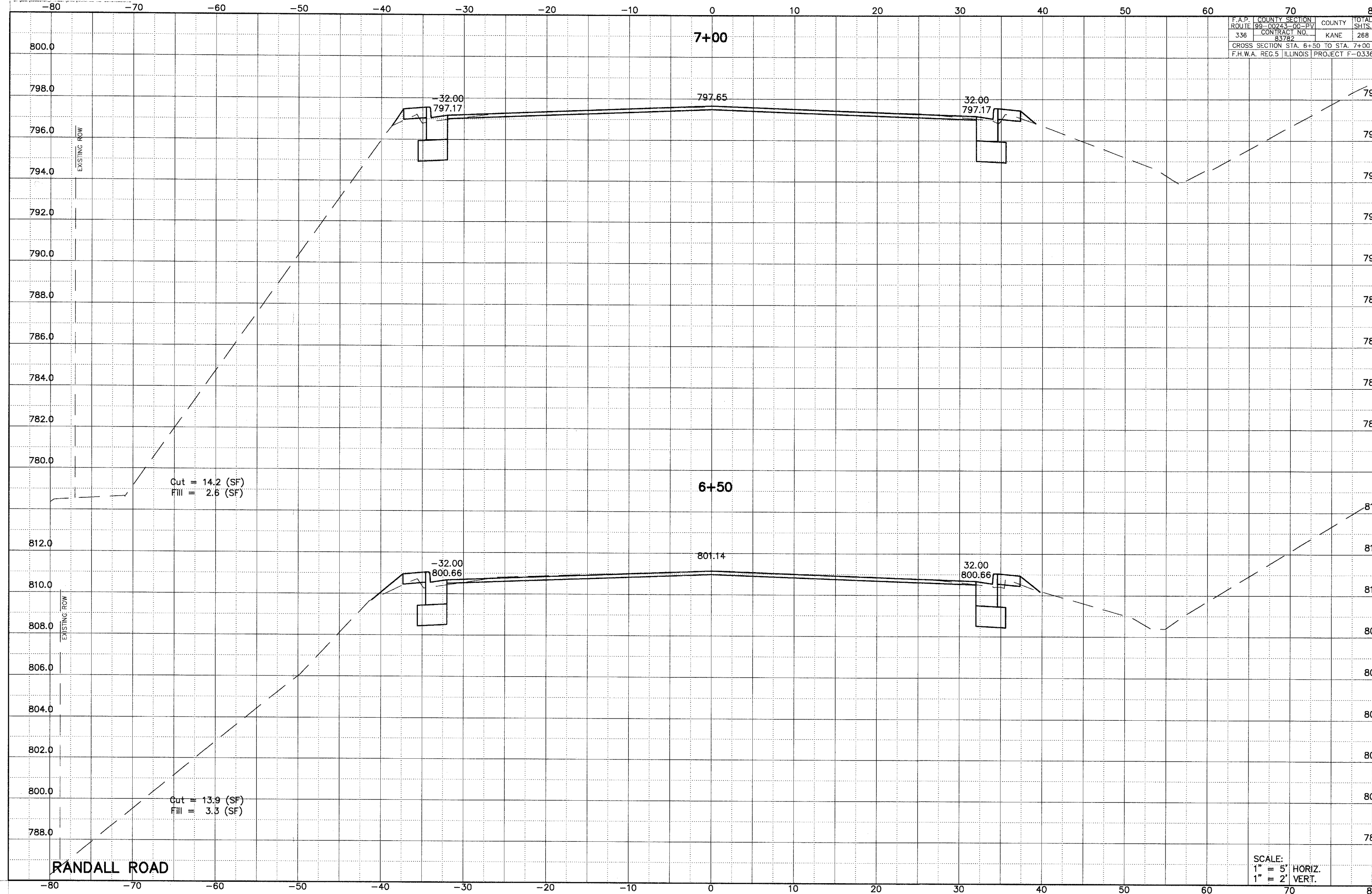


F.A.P. ROUTE	COUNTY	SECTION	TOTALS
336	KANE	268	
CONTRACT NO.		SHTS.	
83782		268	
CROSS SECTION STA. 5+00 TO STA. 6+00			
F.H.W.A. REG. 5 ILLINOIS PROJECT F-0338			

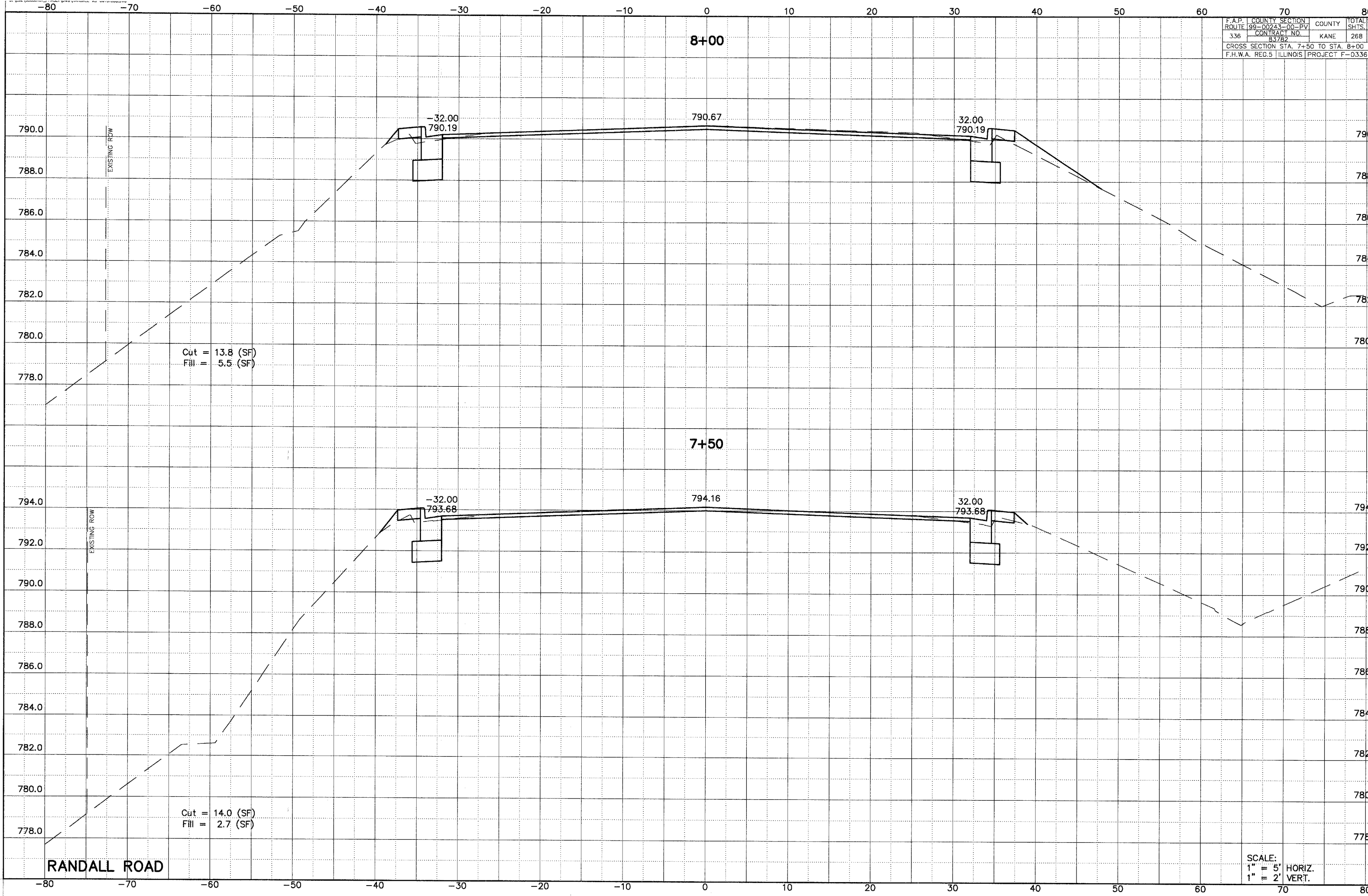


F.A.P.	COUNTY	SECTION	TOTAL
ROUTE 99-00243-00-PV	KANE	70	SHTS. 268
336	CONTRACT NO.	83782	
CROSS SECTION STA. 6+50 TO STA. 7+00			
F.H.W.A. REC.5 ILLINOIS PROJECT F-0336			

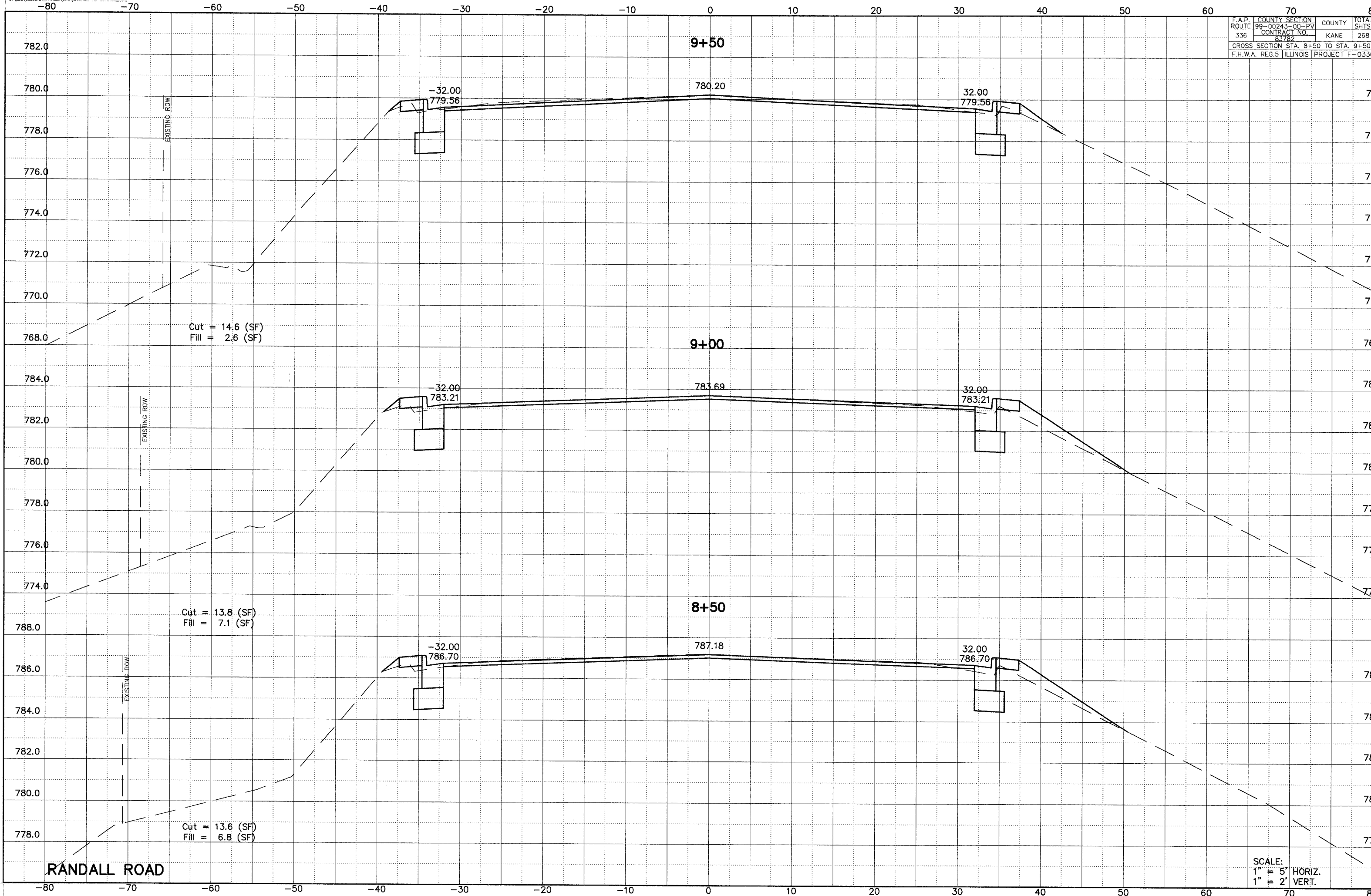


SCALE:
 1" = 5' HORIZ.
 1" = 2' VERT.

F.A.P. ROUTE	COUNTY	SECTION	COUNTY	TOTAL SHTS.
336	KANE	83782		268
CROSS SECTION STA. 7+50 TO STA. 8+00				
F.H.W.A. REG.5 ILLINOIS				PROJECT F-0336



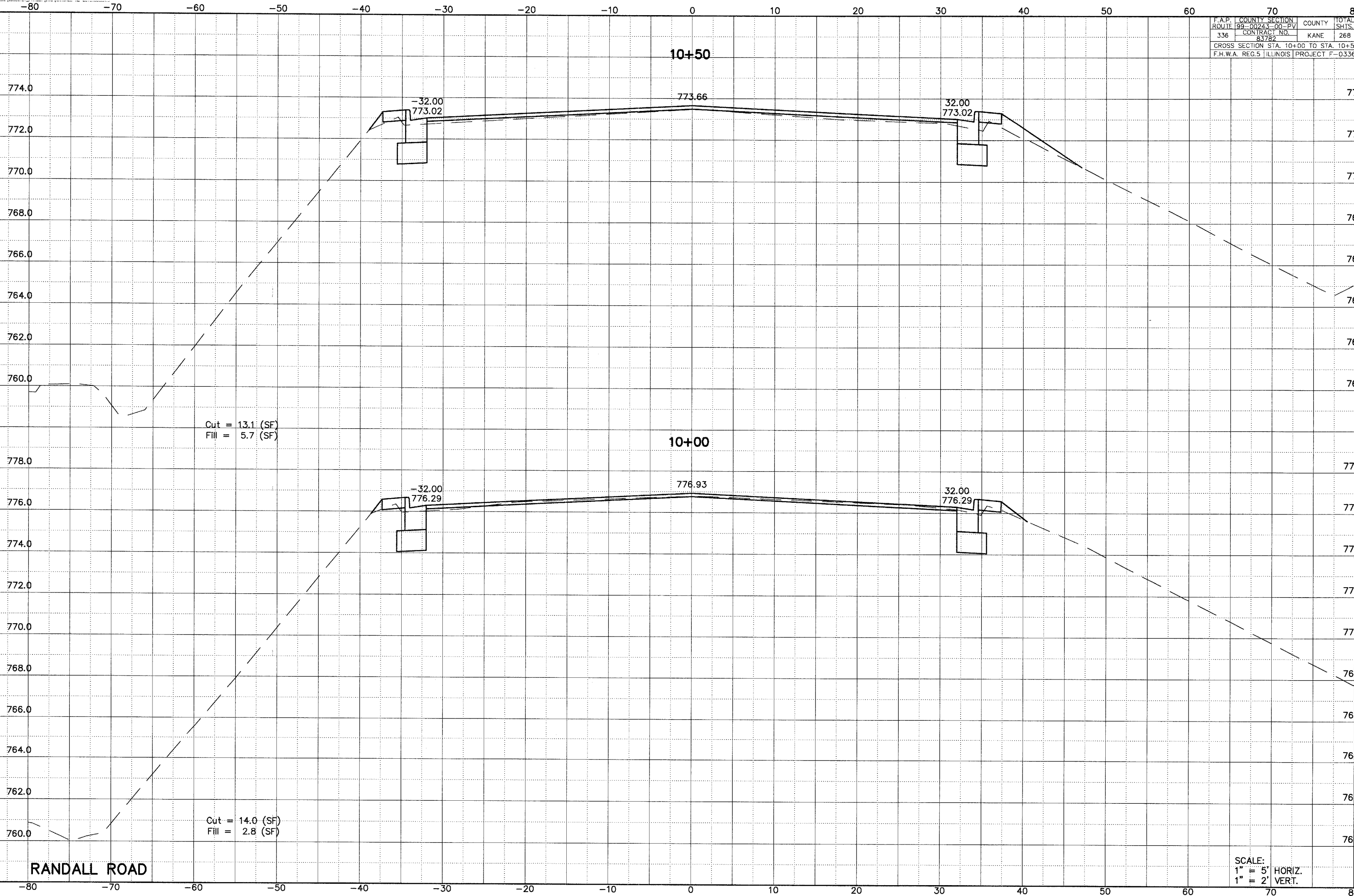
F.A.P. ROUTE	COUNTY SECTION	COUNTY	TOTAL SHEETS
336	99-00243-00-PV	KANE	268
	CONTRACT NO.		
	83782		
CROSS SECTION STA. 8+50 TO STA. 9+50			
F.H.W.A. REC.5 ILLINOIS PROJECT F-0336(



RANDALL ROAD

SCALE:
1" = 5' HORIZ.
1" = 2' VERT.

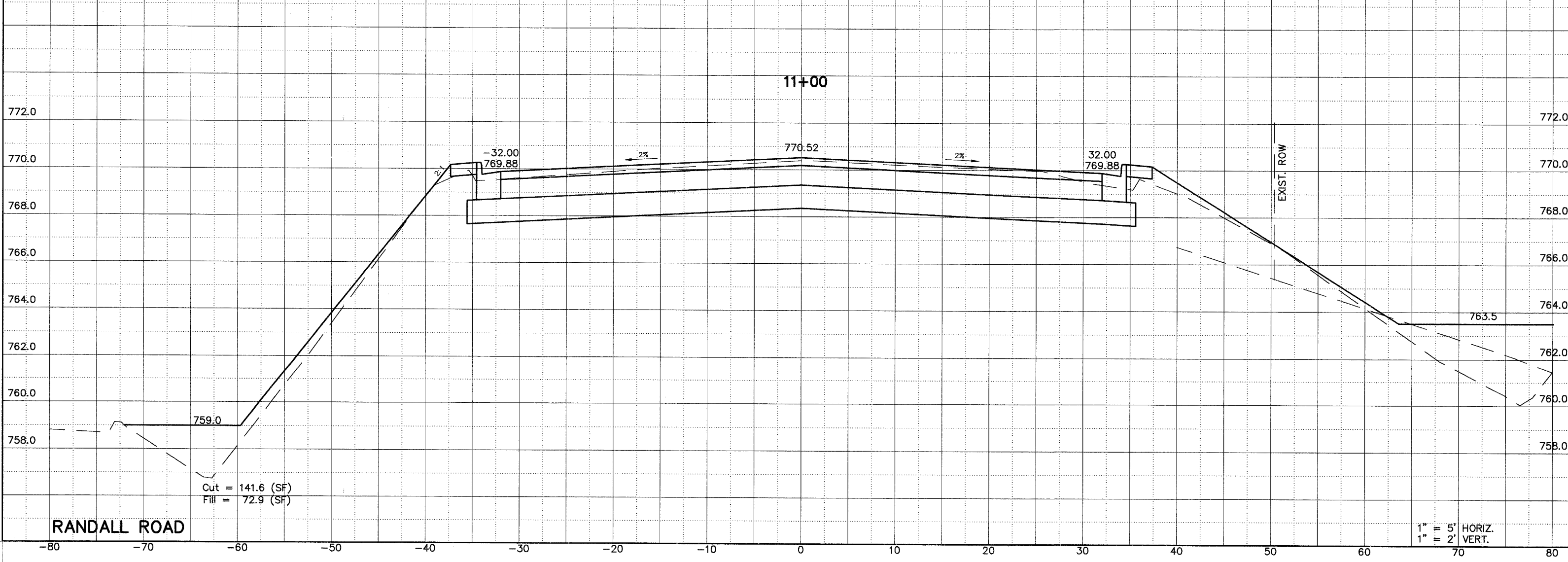
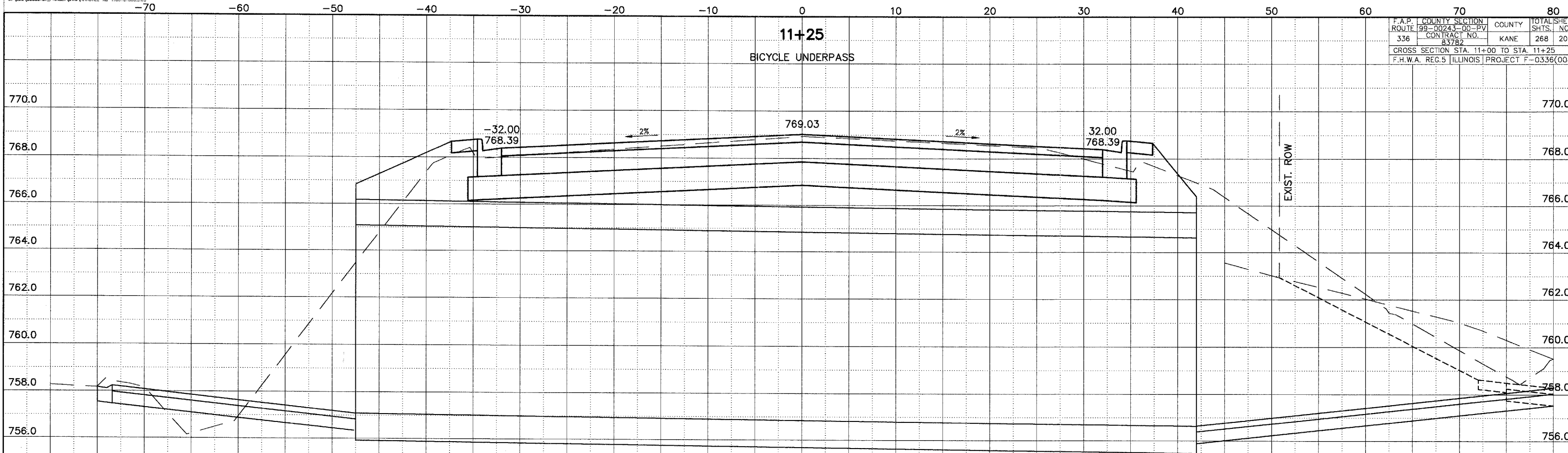
F.A.P. ROUTE	COUNTY SECTION	COUNTY	TOTAL SHITS.
336	99-00243-00-PV	KANE	268
CONTRACT NO. 83782			
CROSS SECTION STA. 10+00 TO STA. 10+50			
F.H.W.A. REG.5 ILLINOIS PROJECT F-0336			



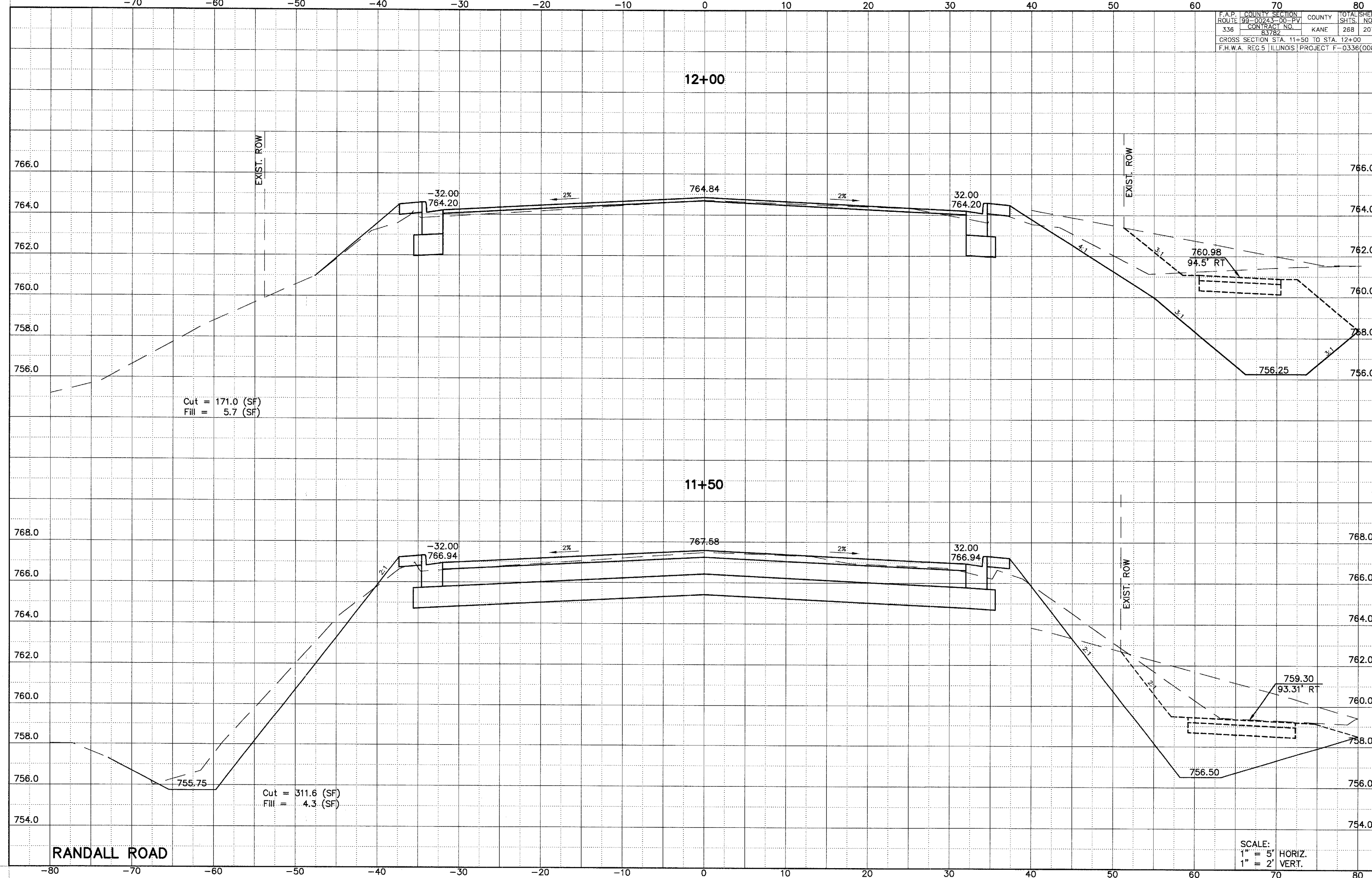
RANDALL ROAD

SCALE:
1" = 5' HORIZ.
1" = 2' VERT.

F.A.P. ROUTE	COUNTY SECTION	COUNTY	TOTAL SHEET
336	99-00243-00-PV	KANE	268
	CONTRACT NO.		SHTS. NO.
	83782		206
CROSS SECTION STA. 11+00 TO STA. 11+25			
F.H.W.A. REG. 5 ILLINOIS PROJECT F-0336(008)			



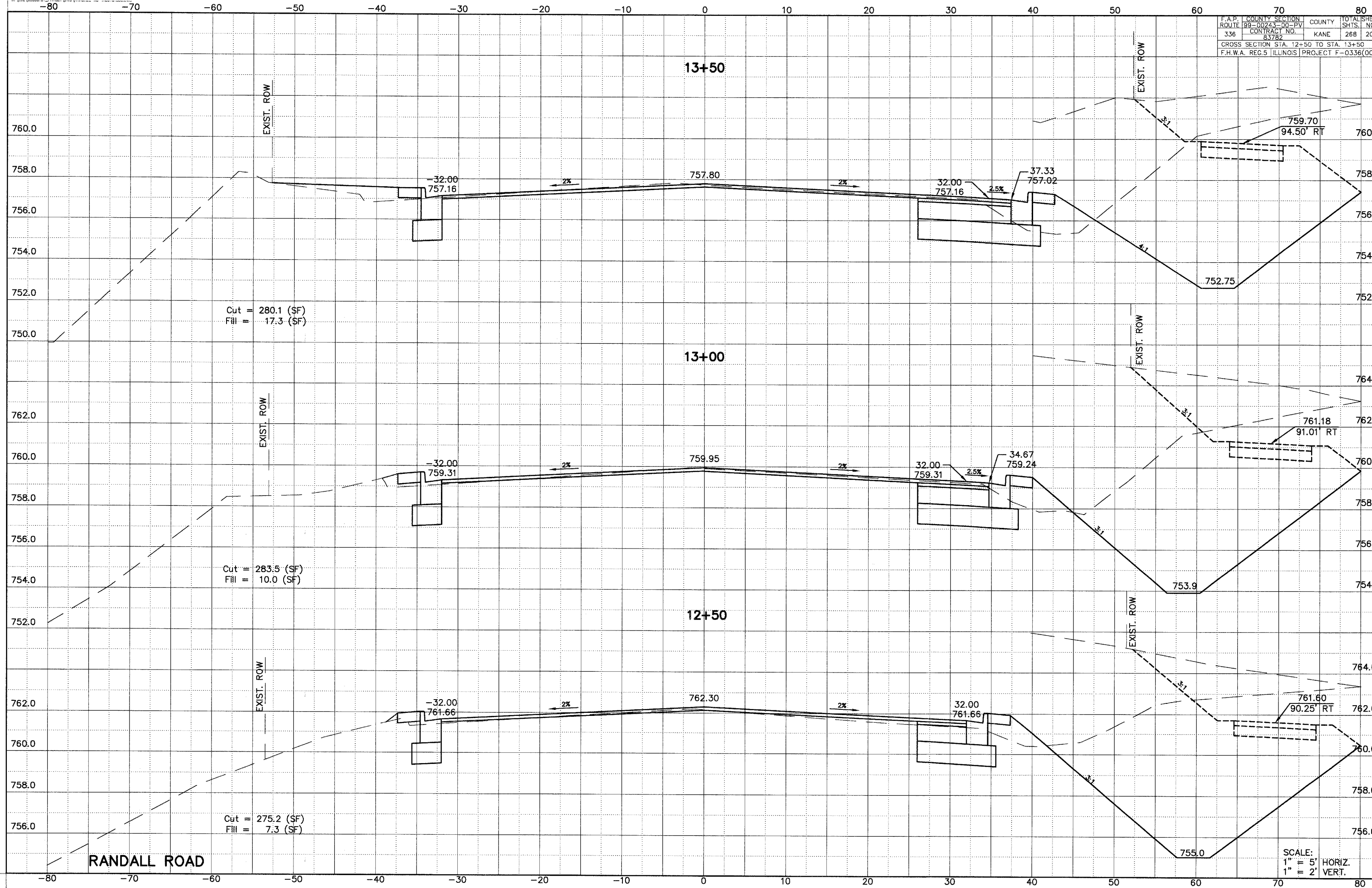
F.A.P. ROUTE	COUNTY SECTION	COUNTY	TOTAL SHEET
336	99-00243-00-PV	KANE	268
	CONTRACT NO.		SHTS. NO.
	83782		207
CROSS SECTION STA. 11+50 TO STA. 12+00			
F.H.W.A. REC. 5 ILLINOIS PROJECT F-0336(008)			



RANDALL ROAD

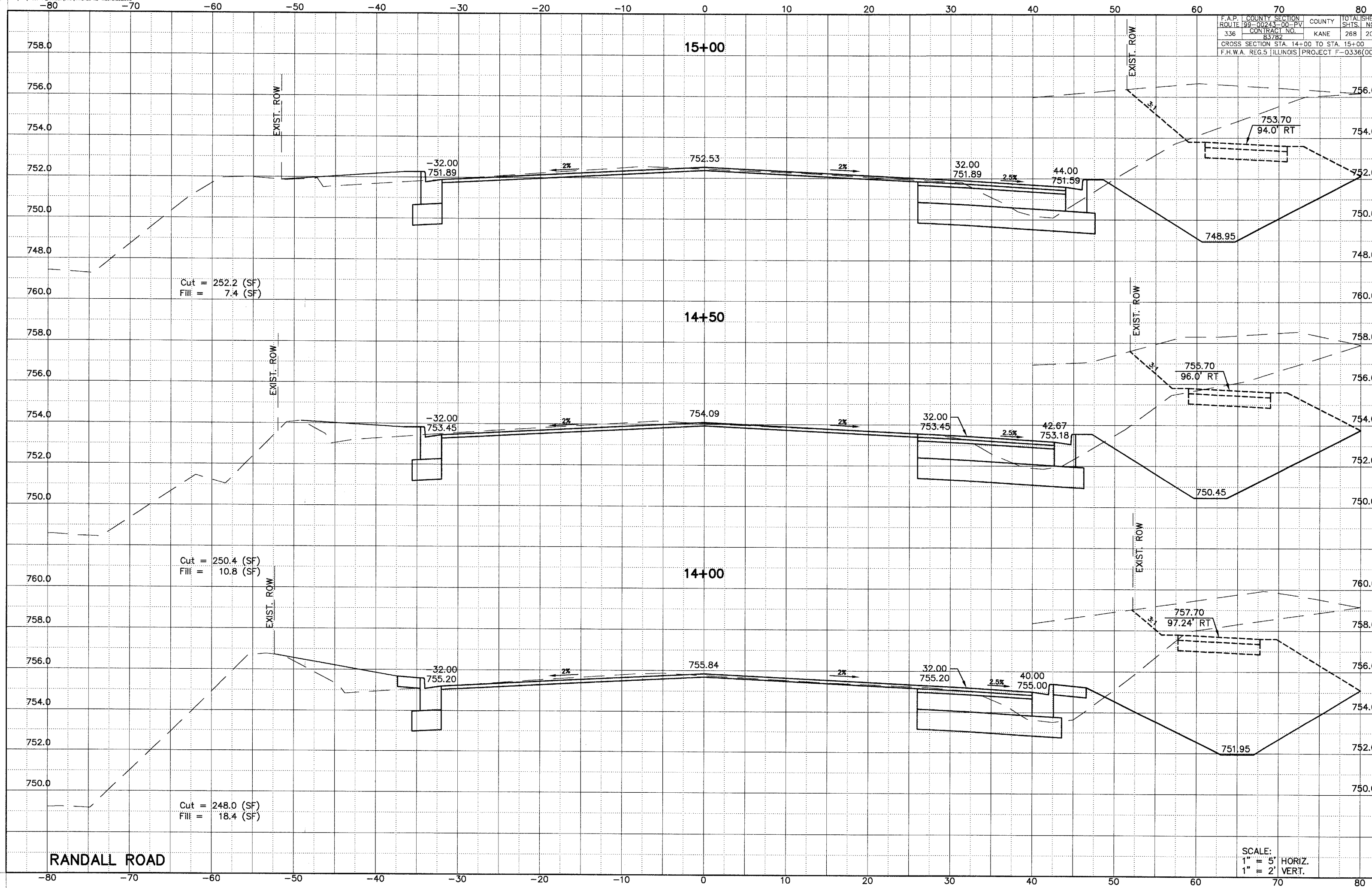
SCALE:
1" = 5' HORIZ.
1" = 2' VERT.

F.A.P. COUNTY SECTION	ROUTE 99-00243-00-PV	COUNTY	TOTAL SHEETS
336	CONTRACT NO. 83782	KANE	268
CROSS SECTION STA. 12+50 TO STA. 13+50			208
F.H.W.A. REG.5 ILLINOIS PROJECT F-0336(008)			



SCALE:
1" = 5' HORIZ.
1" = 2' VERT.

F.A.P. 1 COUNTY SECTION	ROUTE 99-00243-00-PV	COUNTY	TOTAL SHEETS
336	CONTRACT NO. 83782	KANE	268
CROSS SECTION STA. 14+00 TO STA. 15+00			209
F.H.W.A. REG. 5 ILLINOIS			PROJECT F-0336(008)



Cut = 252.2 (SF)
Fill = 7.4 (SF)

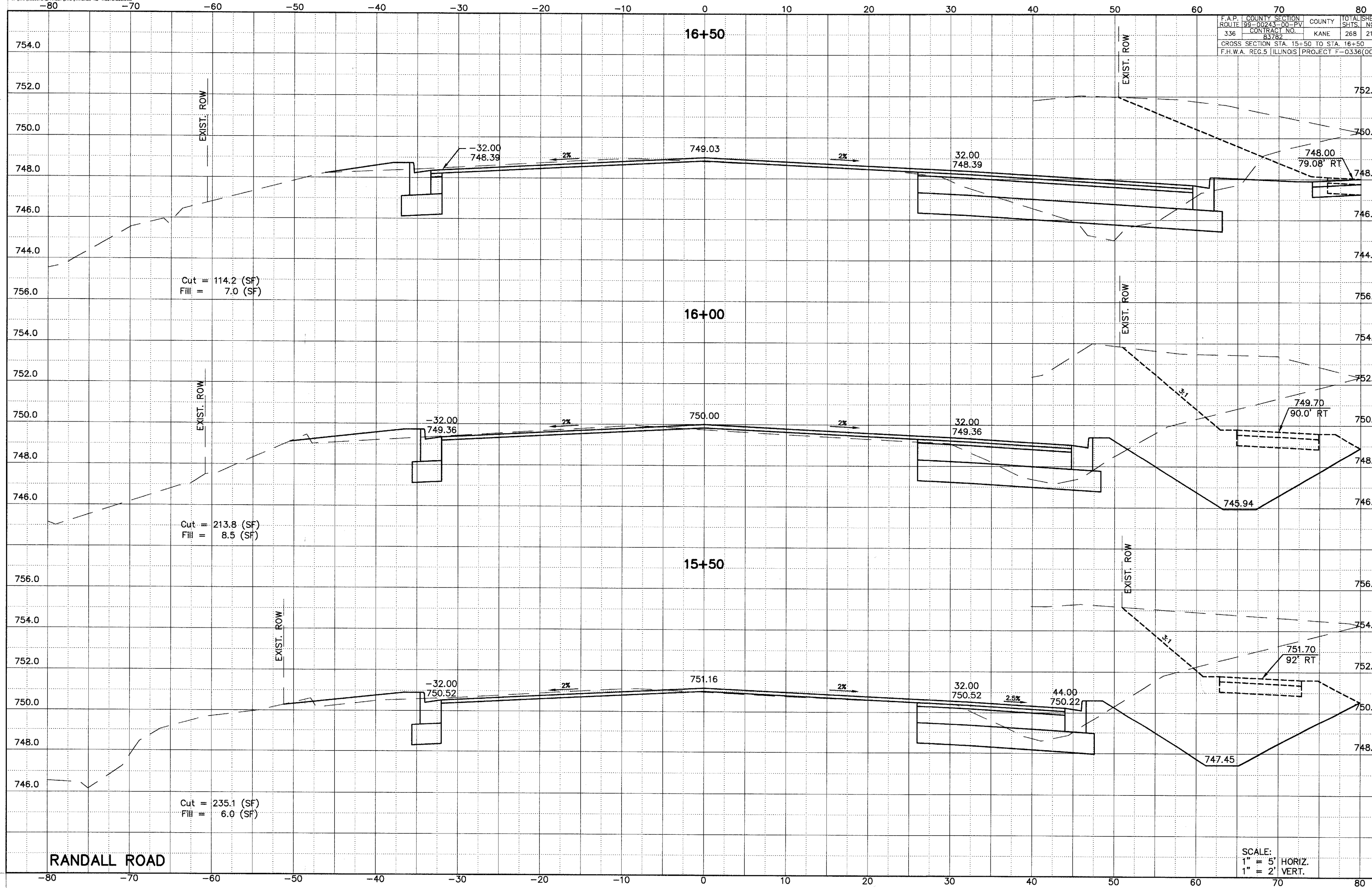
Cut = 250.4 (SF)
Fill = 10.8 (SF)

Cut = 248.0 (SF)
Fill = 18.4 (SF)

RANDALL ROAD

SCALE:
1" = 5' HORIZ.
1" = 2' VERT.

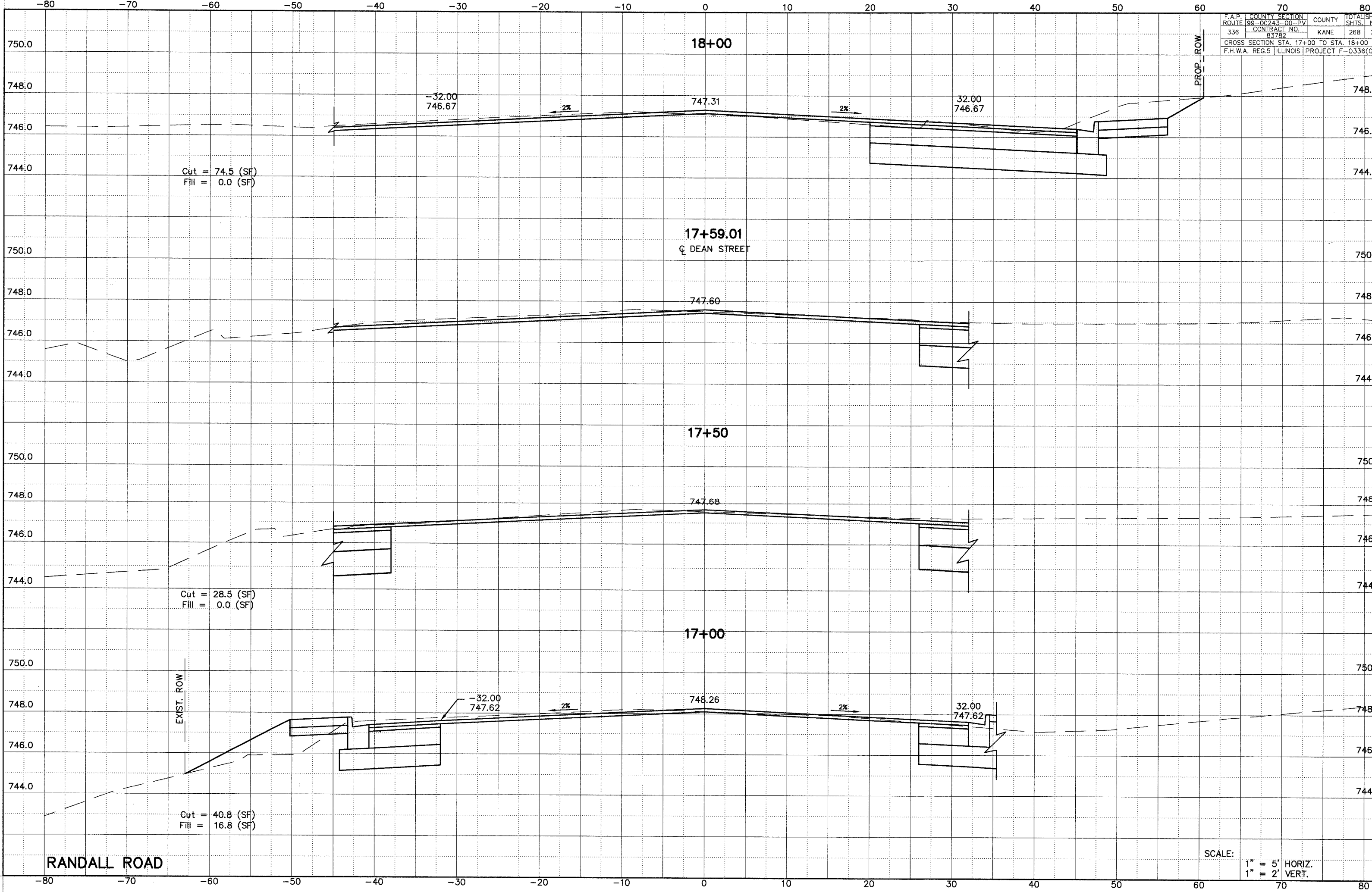
F.A.P.	COUNTY	SECTION	TOTAL SHEET
ROUTE 99-00243-00-PV	KANE		SHTS. NO.
336		83782	268 210
CROSS SECTION STA. 15+50 TO STA. 16+50			
F.H.W.A. REG.5 ILLINOIS PROJECT F-0336(008)			



RANDALL ROAD

SCALE:
 1" = 5' HORIZ.
 1" = 2' VERT.

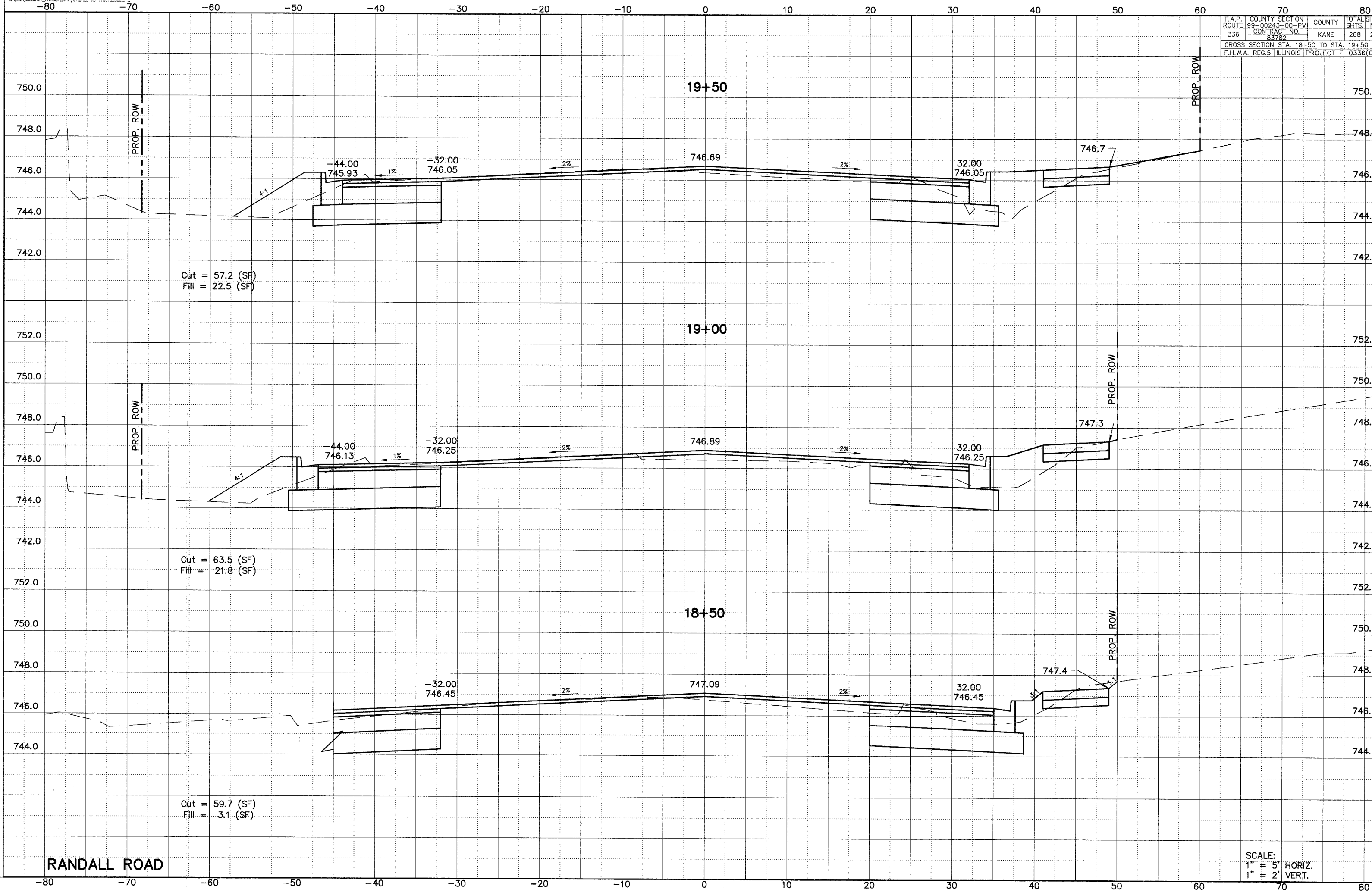
F.A.P. ROUTE	COUNTY SECTION	COUNTY	TOTAL SHEETS
336	99-00243-00-PV	KANE	268
	CONTRACT NO.		21
	63782		
CROSS SECTION STA. 17+00 TO STA. 18+00			
F.H.W.A. REG.5 ILLINOIS PROJECT F-0336(008)			



RANDALL ROAD

SCALE:
 1" = 5' HORIZ.
 1" = 2' VERT.

F.A.P.	COUNTY SECTION	TOTAL SHEETS
ROUTE 336	99-00243-00-PV	268
	CONTRACT NO. 83782	212
CROSS SECTION STA. 18+50 TO STA. 19+50		
F.H.W.A. REG. 5 ILLINOIS PROJECT F-0336(00)		

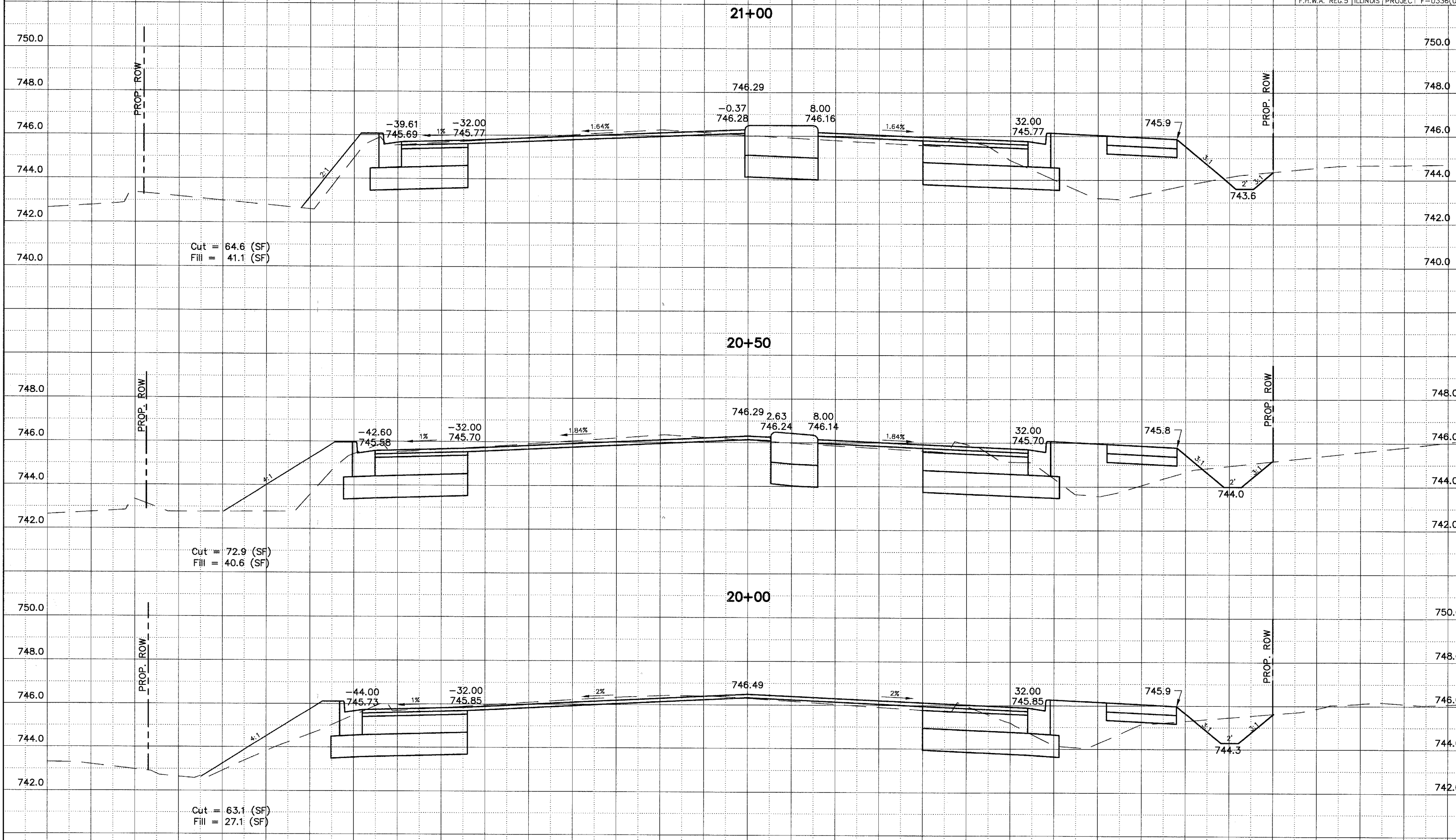


RANDALL ROAD

SCALE:
1" = 5' HORIZ.
1" = 2' VERT.

-80 -70 -60 -50 -40 -30 -20 -10 0 10 20 30 40 50 60 70 80

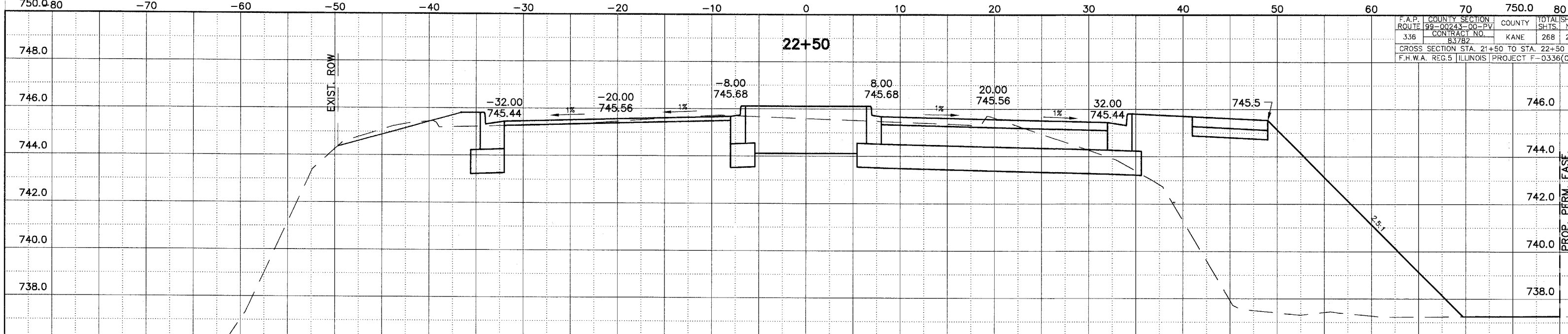
F.A.P. ROUTE	COUNTY SECTION	COUNTY	TOTAL SHEETS
336	99-00243-00-PV	KANE	268
	CONTRACT NO.		213
	83782		
CROSS SECTION STA. 20+00 TO STA. 21+00			
F.H.W.A. REG. 5 ILLINOIS PROJECT F-0336(008)			



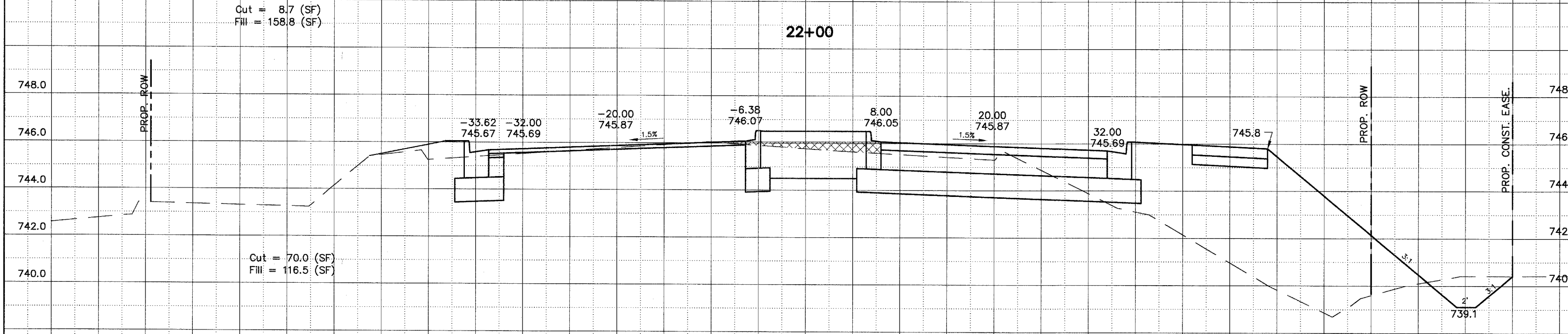
RANDALL ROAD

SCALE:
1" = 5' HORIZ.
1" = 2' VERT.

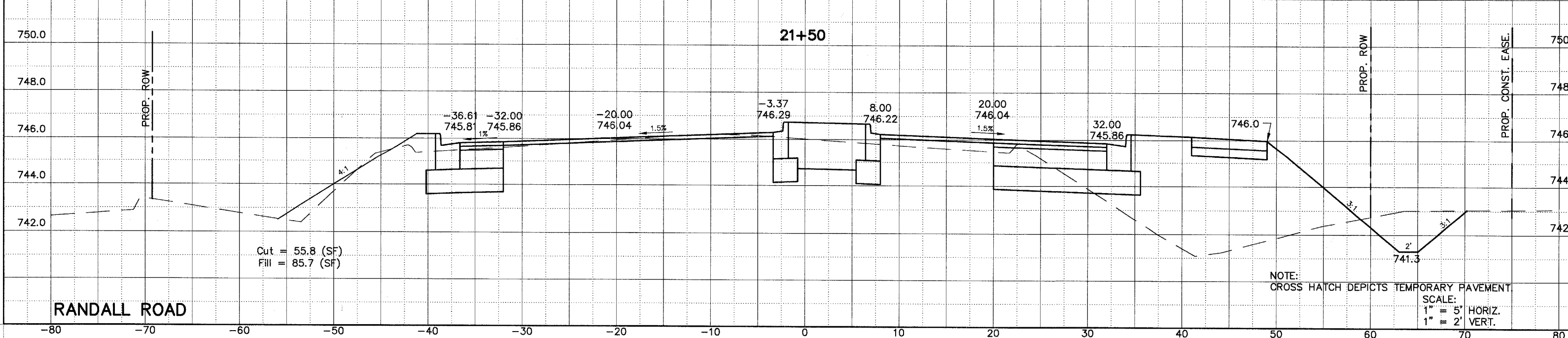
-80 -70 -60 -50 -40 -30 -20 -10 0 10 20 30 40 50 60 70 80



Cut = 8.7 (SF)
Fill = 158.8 (SF)



Cut = 70.0 (SF)
Fill = 116.5 (SF)

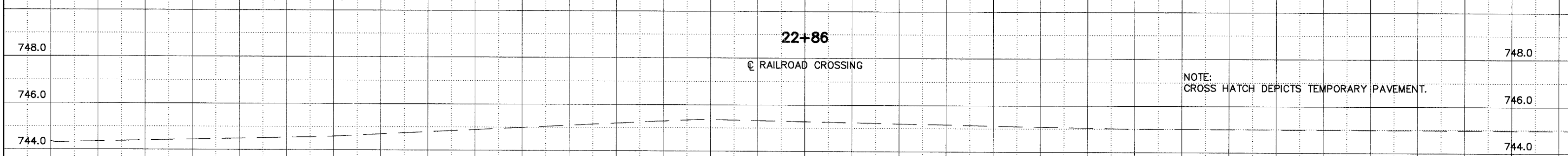
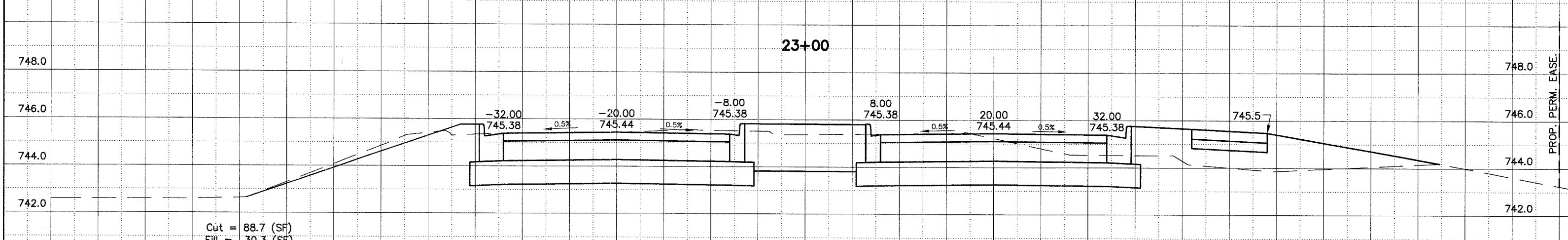
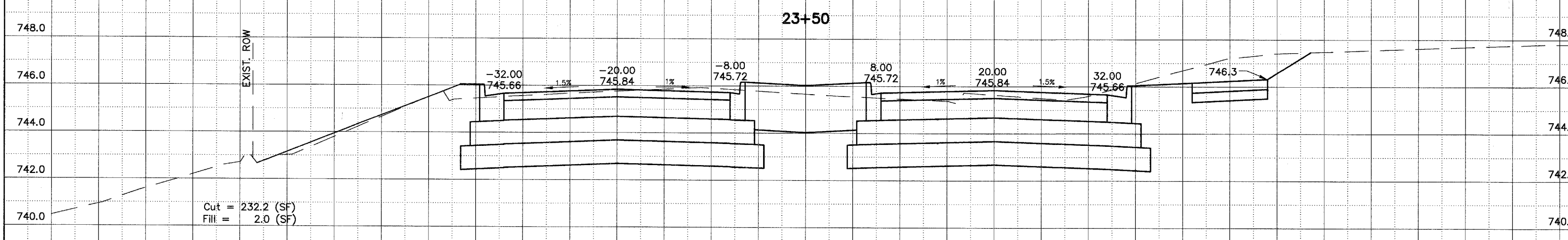
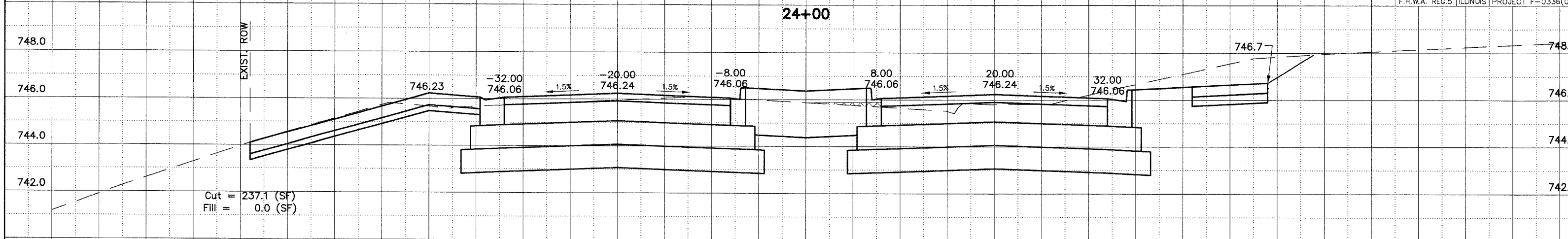


Cut = 55.8 (SF)
Fill = 85.7 (SF)

NOTE:
CROSS HATCH DEPICTS TEMPORARY PAVEMENT.
SCALE:
1" = 5' HORIZ.
1" = 2' VERT.

RANDALL ROAD

F.A.P. ROUTE	COUNTY SECTION	COUNTY	TOTAL SHEETS
336	99-00243-00-PV	KANE	268
	CONTRACT NO.		NO.
	83782		215
CROSS SECTION STA. 22+86 TO STA. 24+00			
F.H.W.A. REG. 5 ILLINOIS PROJECT F-0336(008)			

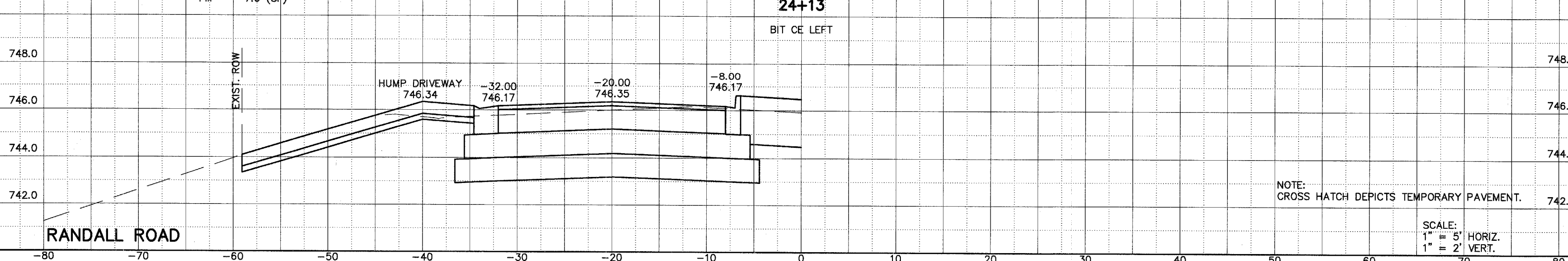
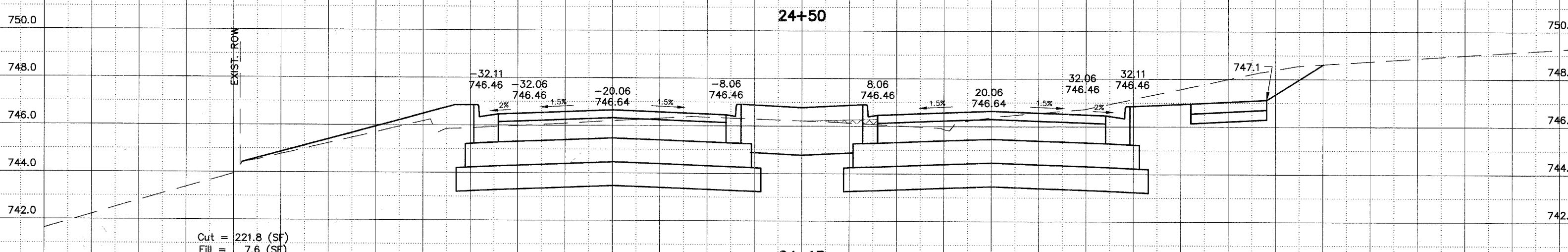
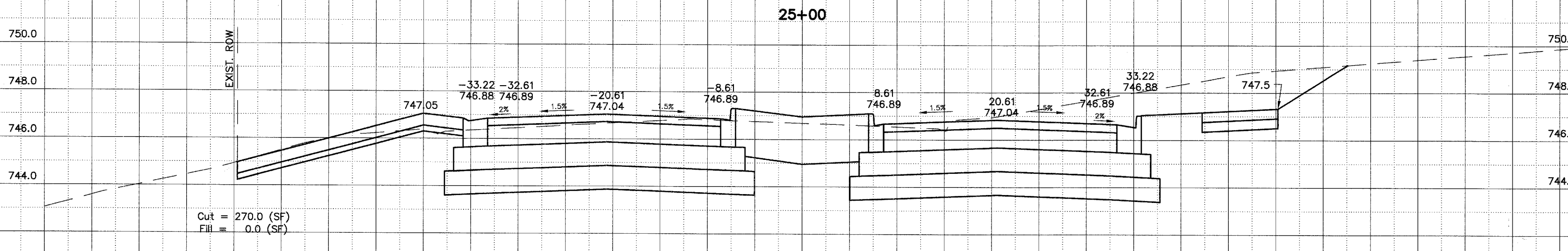
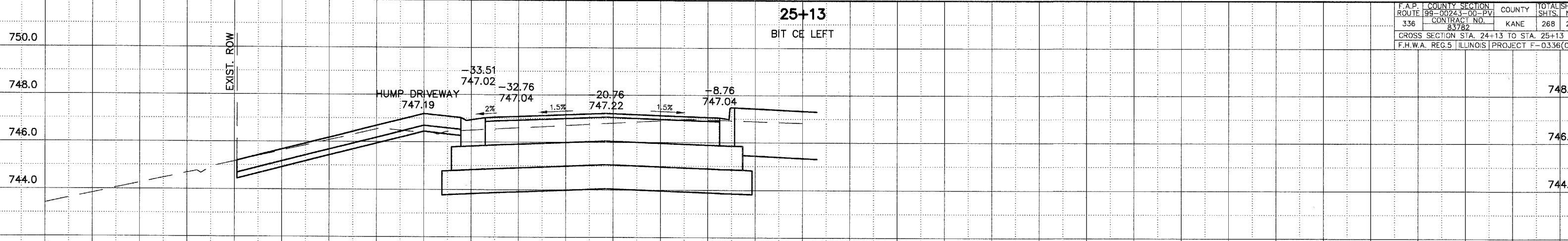


NOTE: CROSS HATCH DEPICTS TEMPORARY PAVEMENT.

SCALE:
1" = 5' HORIZ.
1" = 2' VERT.

-80 -70 -60 -50 -40 -30 -20 -10 0 10 20 30 40 50 60 70 80

F.A.P. ROUTE	COUNTY SECTION	COUNTY	TOTAL SHEETS
336	99-00243-00-PV	KANE	268
	CONTRACT NO.		210
	83782		
CROSS SECTION STA. 24+13 TO STA. 25+13			
F.H.W.A. REG. 5 ILLINOIS PROJECT F-0336(00)			



NOTE: CROSS HATCH DEPICTS TEMPORARY PAVEMENT.

SCALE:
1" = 5' HORIZ.
1" = 2' VERT.

RANDALL ROAD

-80 -70 -60 -50 -40 -30 -20 -10 0 10 20 30 40 50 60 70 80

F.A.P. ROUTE	COUNTY SECTION	COUNTY	TOTAL SHEETS
336	99-00243-00-PV	KANE	268 217
CONTRACT NO. 63782			
CROSS SECTION STA. 25+50 TO STA. 26+50			
F.H.W.A. REG. 5 ILLINOIS PROJECT F-0336(008)			

EXIST. ROW

26+50

Cut = 230.9 (SF)
Fill = 11.2 (SF)

-36.56 748.89 -34.28 748.94 -22.28 749.12 -10.28 748.94 10.28 748.94 22.28 749.12 34.28 748.94 36.56 748.89 749.6

EXIST. ROW

26+00

Cut = 266.3 (SF)
Fill = 9.0 (SF)

-35.44 748.22 -33.72 748.25 -21.72 748.43 -9.72 748.25 9.72 748.25 21.72 748.43 33.72 748.25 35.44 748.22 748.9

EXIST. ROW

25+50

Cut = 231.0 (SF)
Fill = 4.1 (SF)

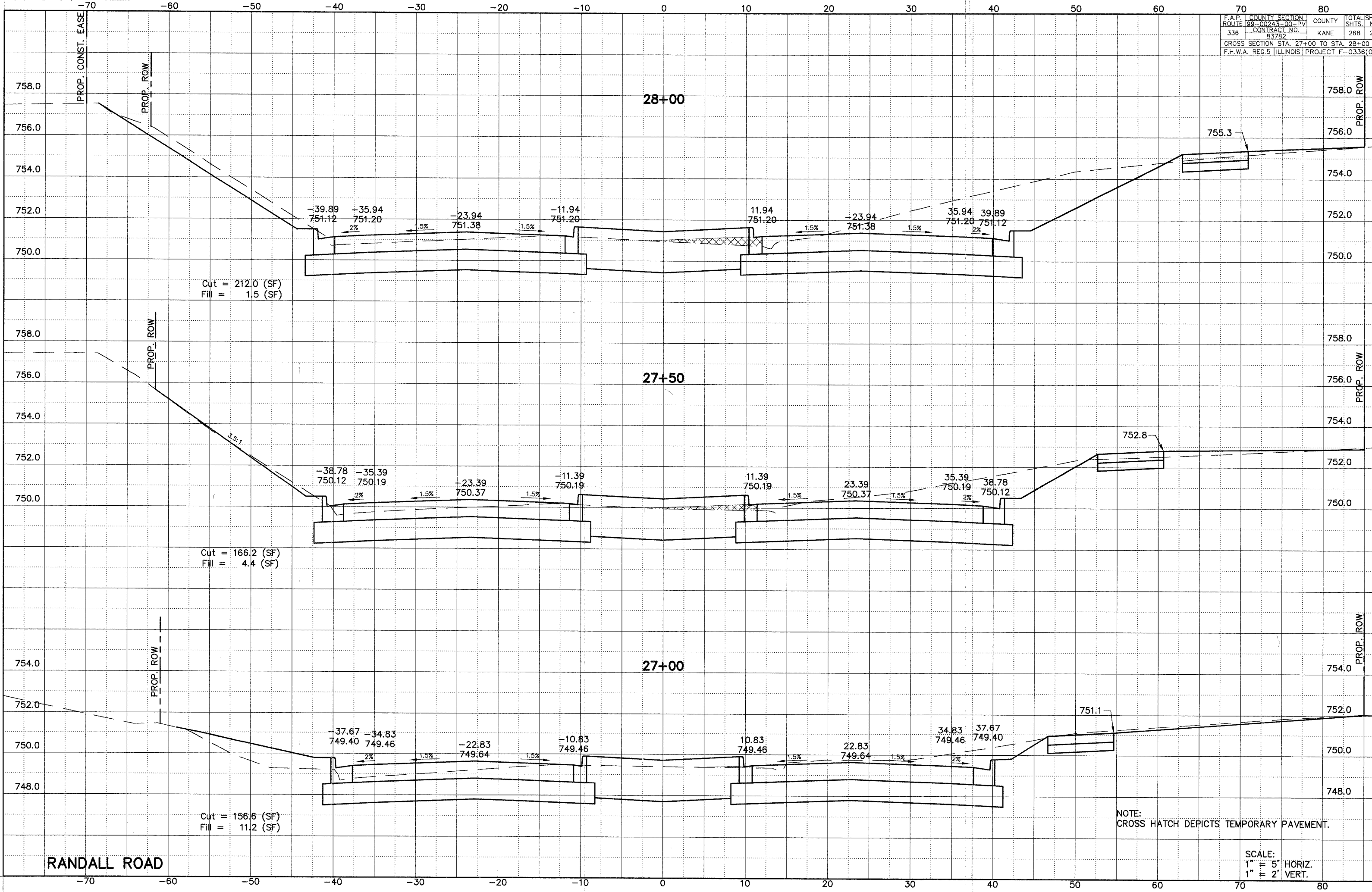
-34.33 747.53 -33.17 747.55 -21.17 747.73 -9.17 747.55 9.17 747.55 21.17 747.73 33.16 747.55 34.33 747.53 748.2

NOTE: CROSS HATCH DEPICTS TEMPORARY PAVEMENT.

RANDALL ROAD

SCALE:
1" = 5' HORIZ.
1" = 2' VERT.

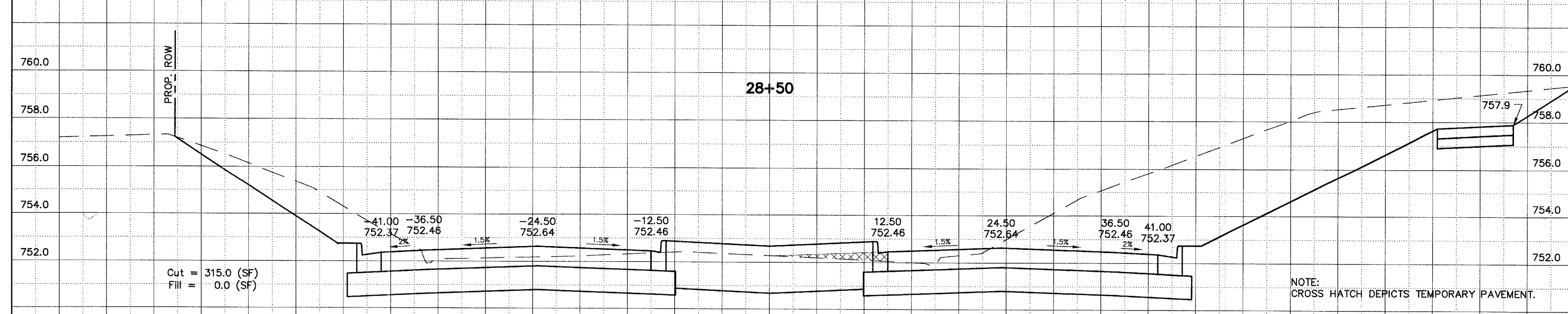
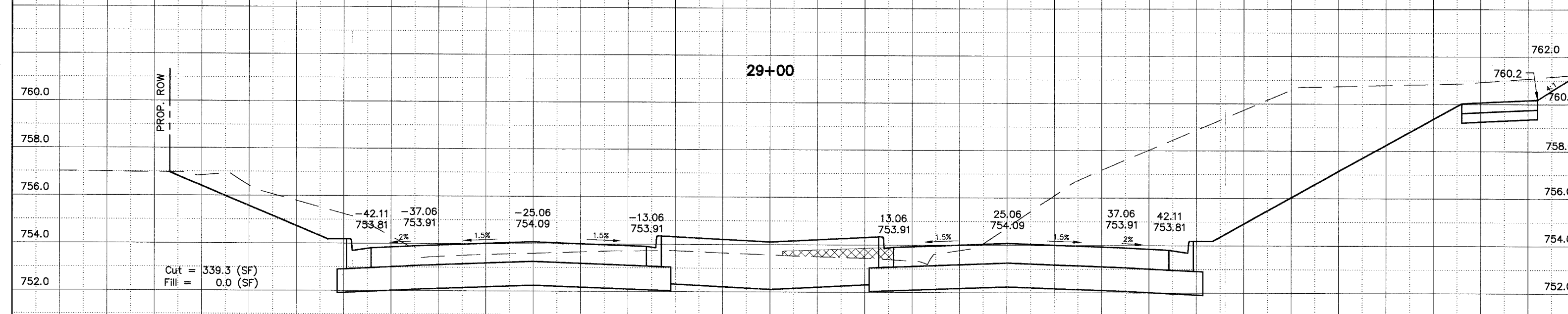
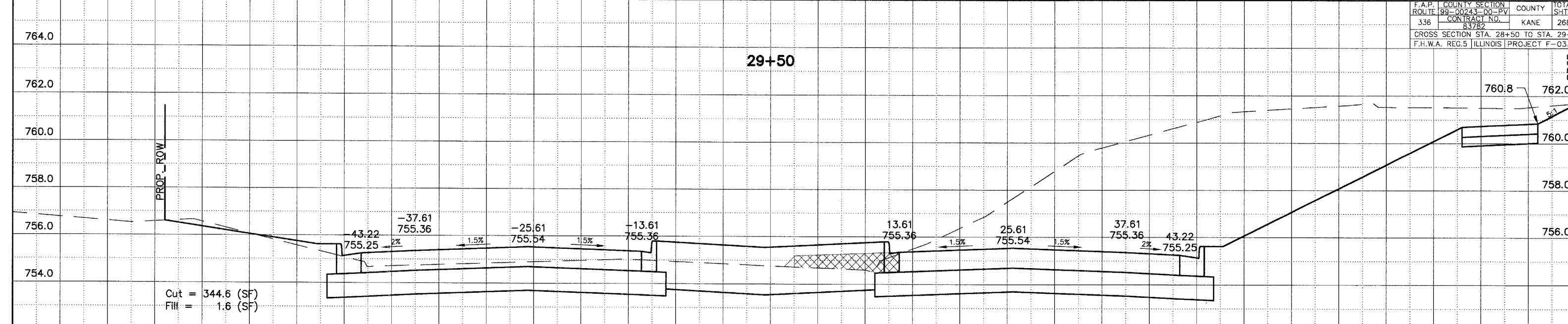
F.A.P. ROUTE	COUNTY SECTION	COUNTY	TOTAL SHEETS
336	99-00243-00-PV	KANE	268
	CONTRACT NO.		NO.
	83782		218
CROSS SECTION STA. 27+00 TO STA. 28+00			
F.H.W.A. REG. 5 ILLINOIS PROJECT F-0336(00)			



RANDALL ROAD

-80 -70 -60 -50 -40 -30 -20 -10 0 10 20 30 40 50 60 70 80

F.A.P. ROUTE	336	COUNTY SECTION	99-00243-00-PV	TOTAL SHEETS	218
CONTRACT NO.	83782	COUNTY	KANE	SHTS. NO.	218
CROSS SECTION STA. 28+50 TO STA. 29+50					
F.H.W.A. REG. 5 ILLINOIS PROJECT F-0336(008)					



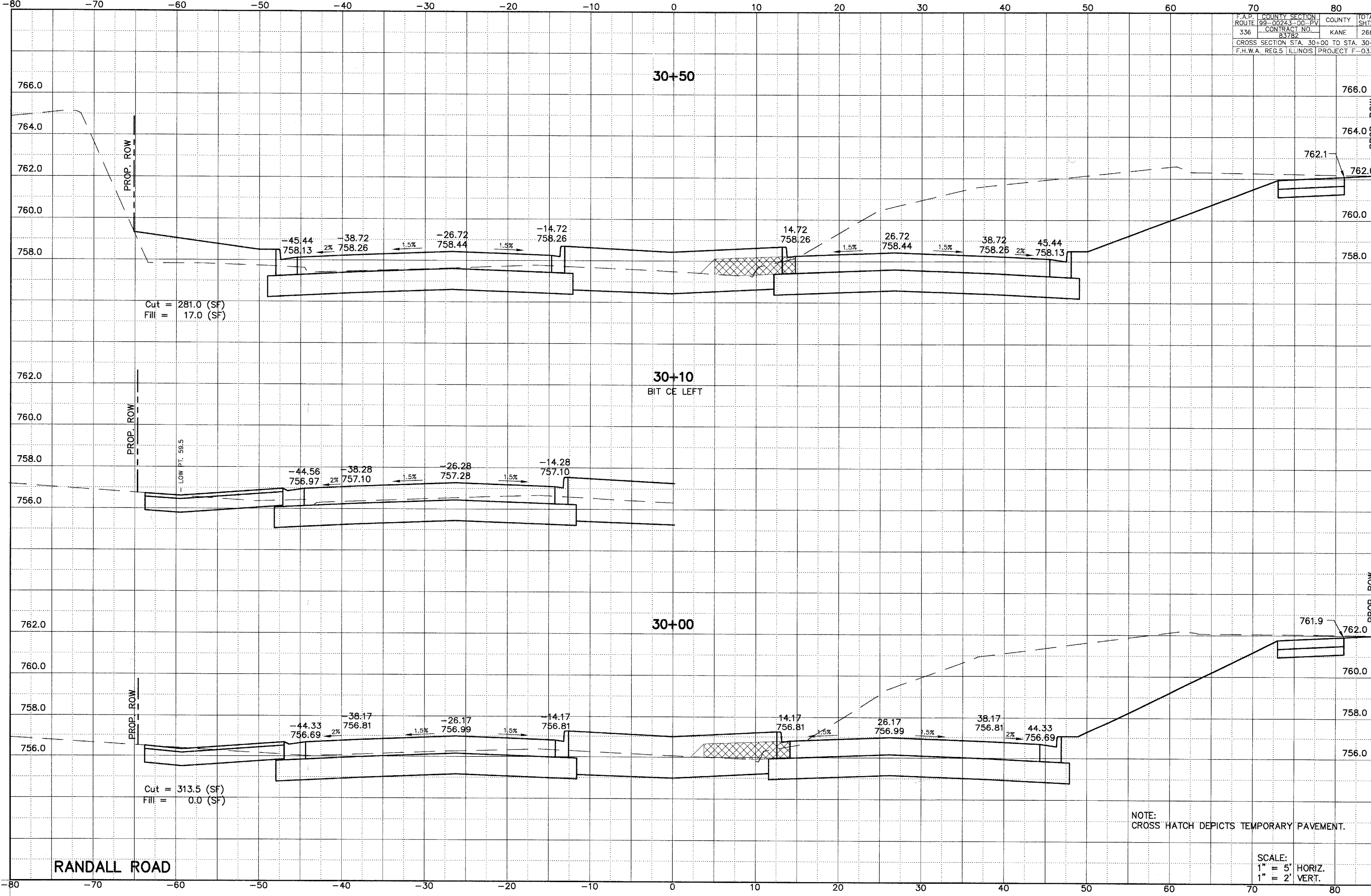
NOTE: CROSS HATCH DEPICTS TEMPORARY PAVEMENT.

RANDALL ROAD

SCALE:
1" = 5' HORIZ.
1" = 2' VERT.

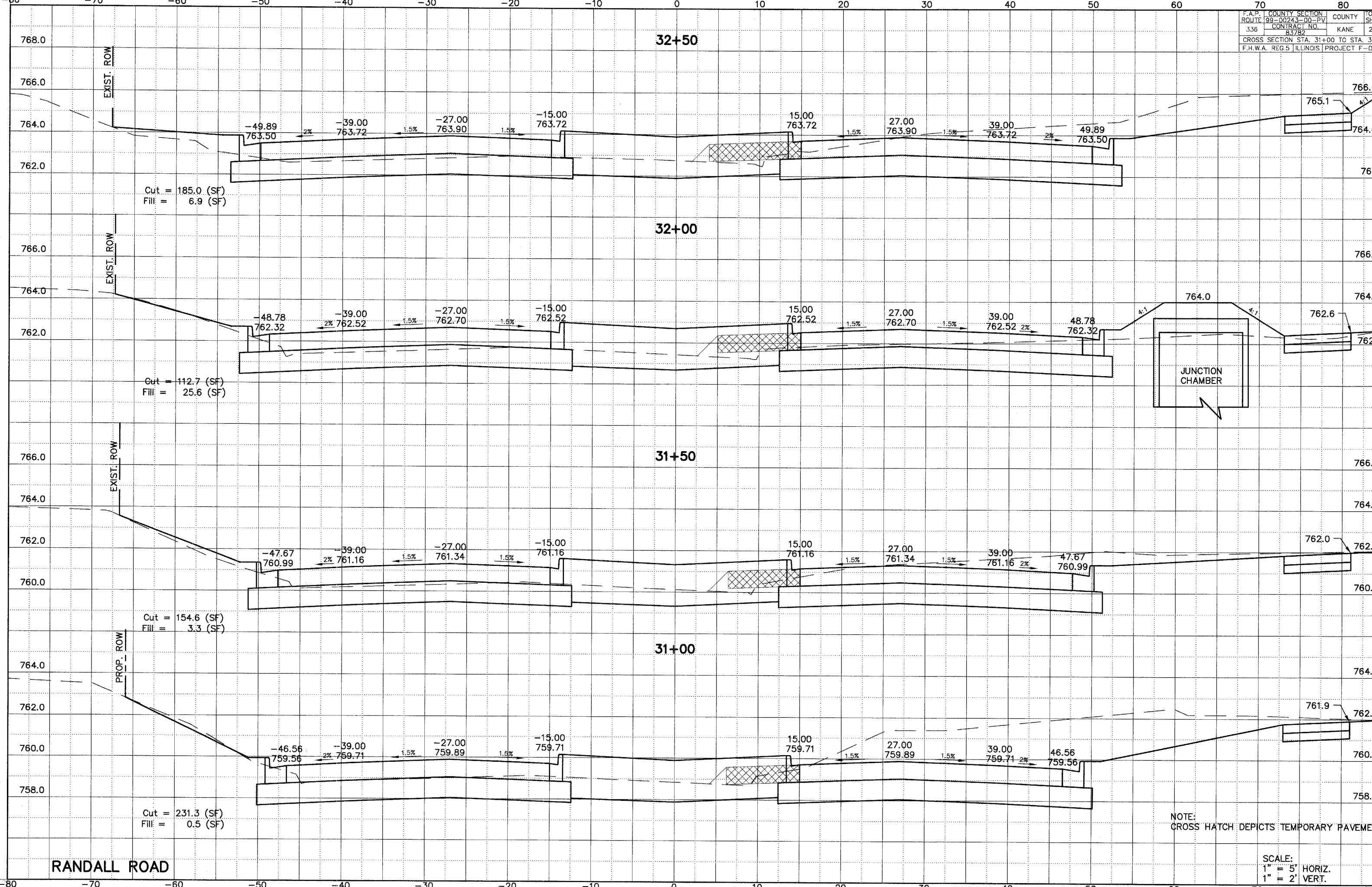
-80 -70 -60 -50 -40 -30 -20 -10 0 10 20 30 40 50 60 70 80

F.A.P. COUNTY SECTION	ROUTE 99-00243-00-PV	COUNTY	TOTAL SHEET
336	CONTRACT NO. 83782	KANE	268 220
CROSS SECTION STA. 30+00 TO STA. 30+50			
F.H.W.A. REG.5 ILLINOIS PROJECT F-0336(008)			



RANDALL ROAD

F.A.P.	COUNTY SECTION	COUNTY	TOTAL SH.
ROUTE 99-00243-00-PV		KANE	268
336	CONTRACT NO.	83782	2
CROSS SECTION STA. 31+00 TO STA. 32+50			
F.H.W.A. REG. 5 ILLINOIS PROJECT F-03360			

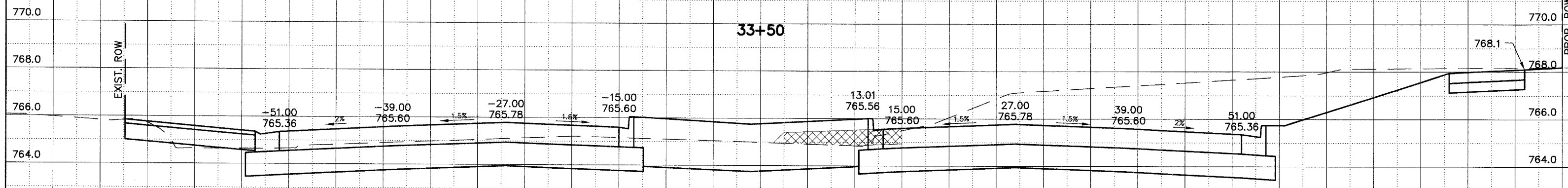


NOTE: CROSS HATCH DEPICTS TEMPORARY PAVEMENT.

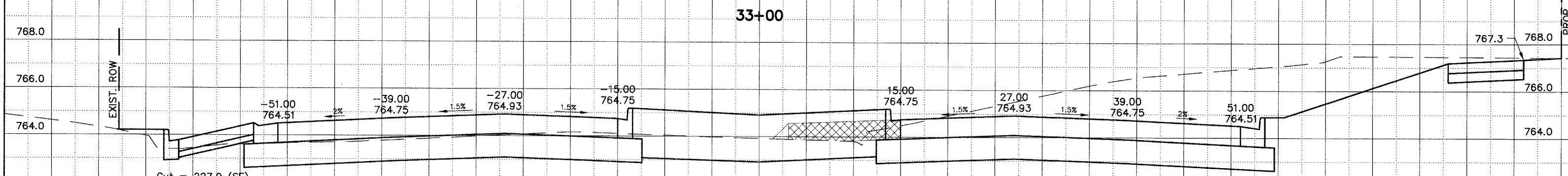
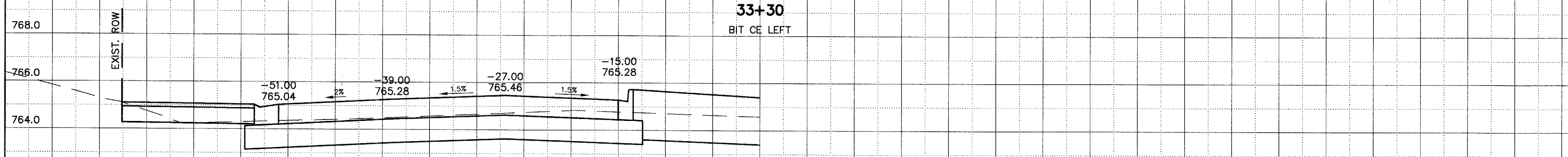
RANDALL ROAD

SCALE:
1" = 5' HORIZ.
1" = 2' VERT.

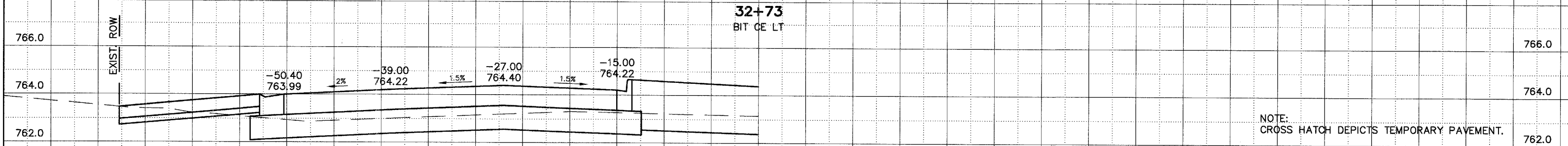
F.A.P. COUNTY SECTION	ROUTE 99-00243-00-PV	COUNTY	TOTAL SHEETS
CONTRACT NO.	83782	KANE	268 22
CROSS SECTION STA. 32+73.1 TO STA. 33+50		PROJECT F-0336(00)	



Cut = 249.3 (SF)
Fill = 0.5 (SF)



Cut = 227.0 (SF)
Fill = 1.5 (SF)

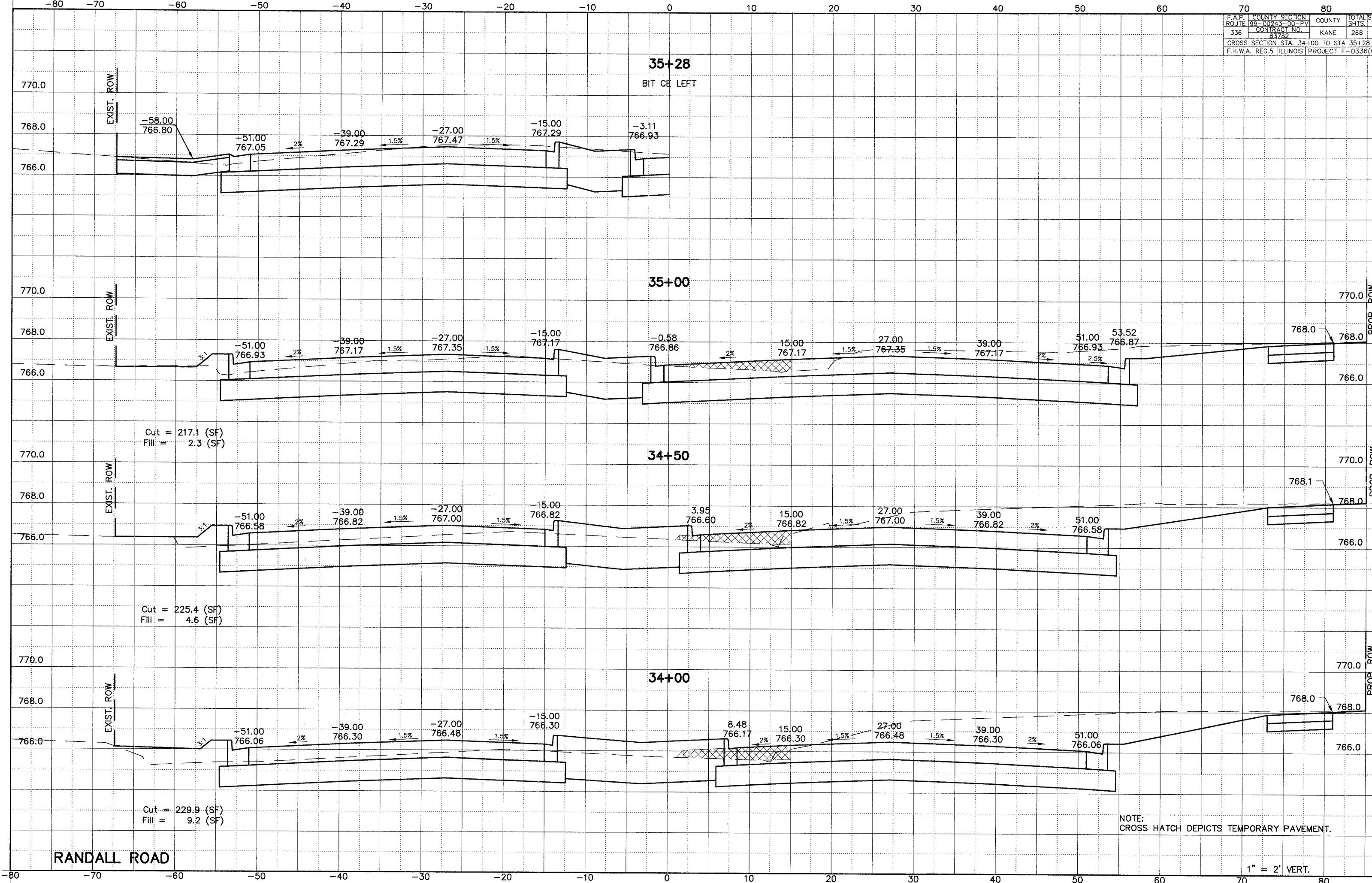


NOTE: CROSS HATCH DEPICTS TEMPORARY PAVEMENT.

RANDALL ROAD

1" = 5' HORIZ.
1" = 2' VERT.

F.A.P. COUNTY SECTION	TOTAL SHEETS
ROUTE 99-00243-00-PV	268
CONTRACT NO. 83782	22
CROSS SECTION STA. 34+00 TO STA 35+28	
F.H.W.A. REG.5 ILLINOIS PROJECT F-0336(00)	



35+28
BIT CE LEFT

35+00

34+50

34+00

Cut = 217.1 (SF)
Fill = 2.3 (SF)

Cut = 225.4 (SF)
Fill = 4.6 (SF)

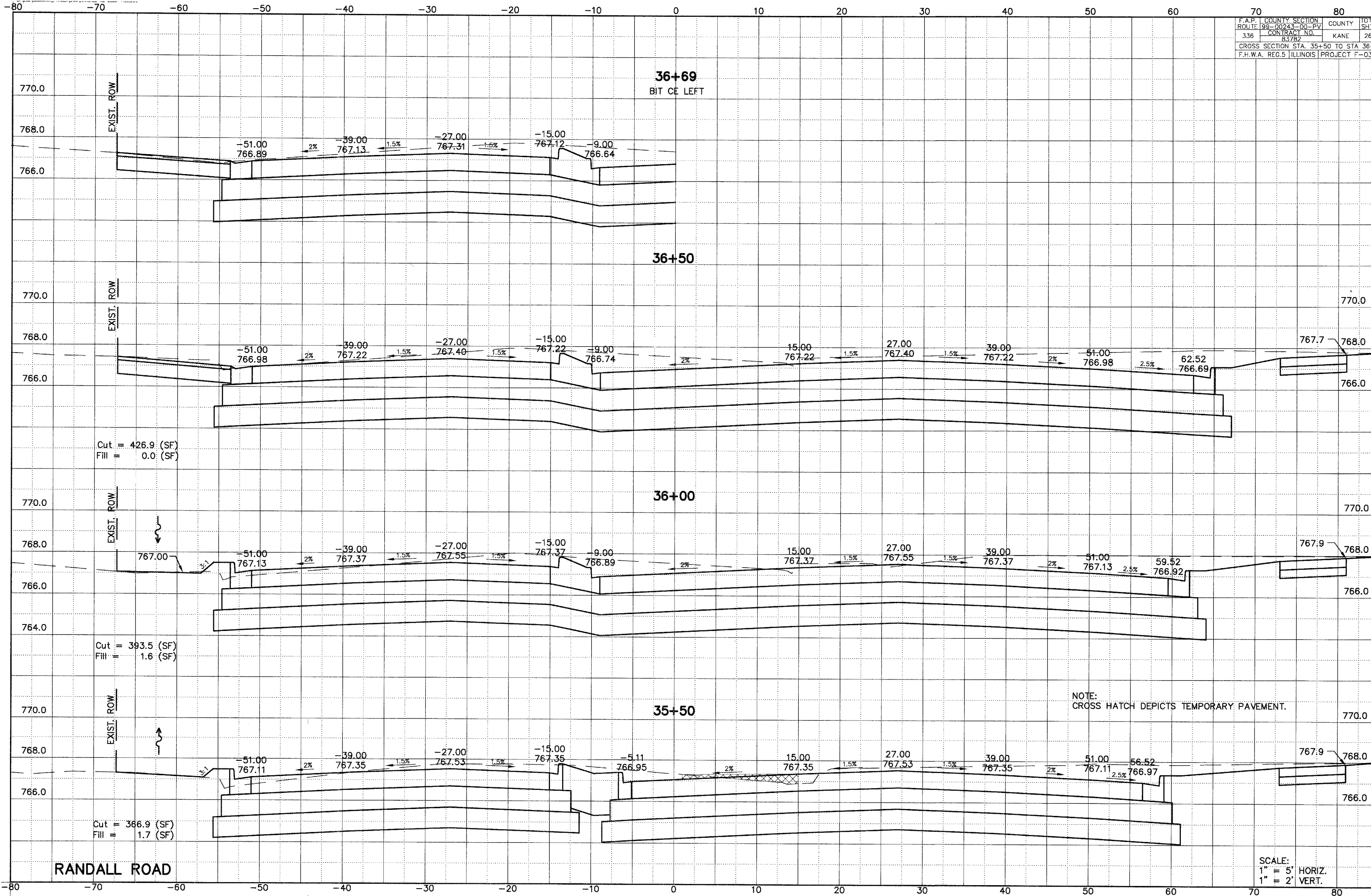
Cut = 229.9 (SF)
Fill = 9.2 (SF)

NOTE:
CROSS HATCH DEPICTS TEMPORARY PAVEMENT.

RANDALL ROAD

1" = 2' VERT.

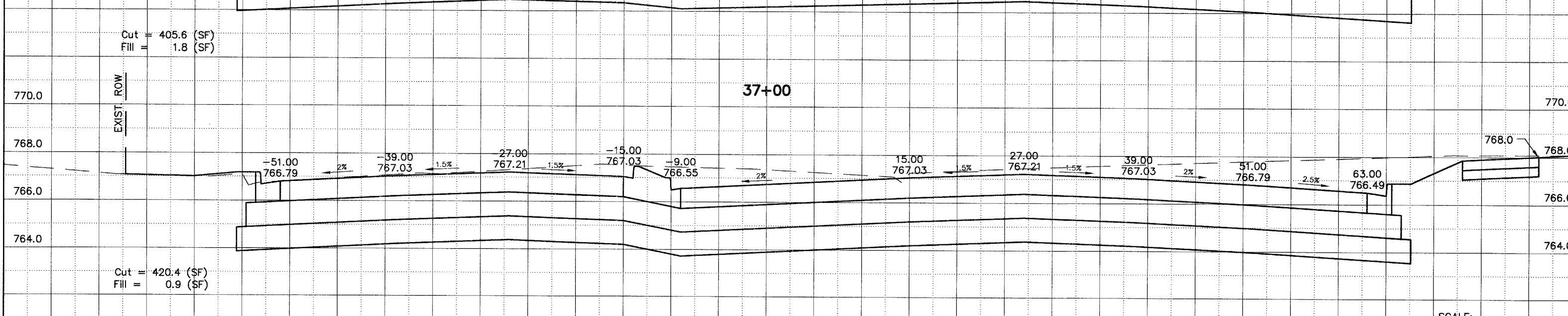
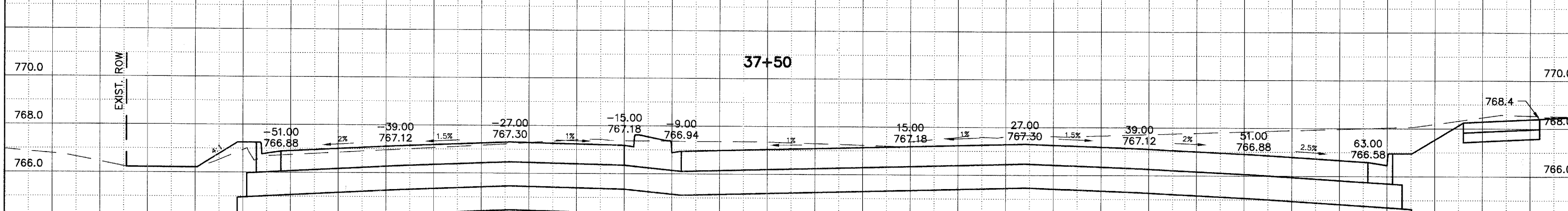
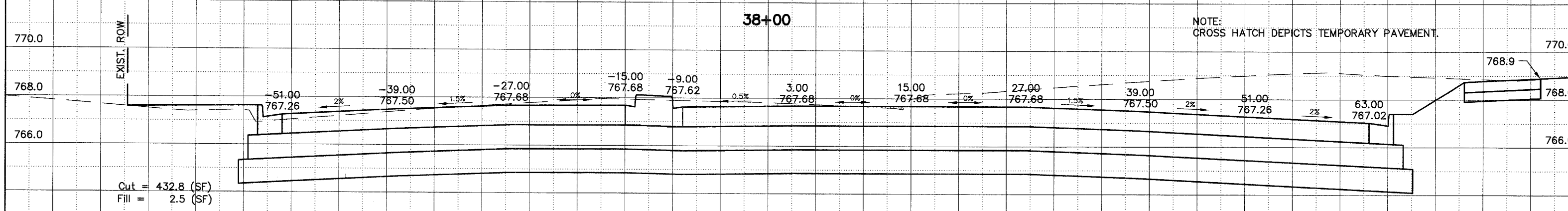
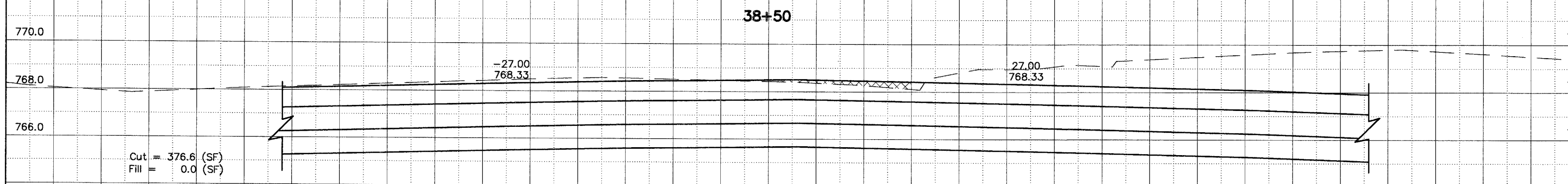
F.A.P. COUNTY SECTION	ROUTE 99-00243-00-PV	COUNTY	TOTAL SHEETS
CONTRACT NO.	83782	KANE	268 22
CROSS SECTION STA. 35+50 TO STA 36+69		F.H.W.A. REG.5 ILLINOIS PROJECT F-0336(00	



-80 -70 -60 -50 -40 -30 -20 -10 0 10 20 30 40 50 60 70 80

F.A.P.	COUNTY SECTION	TOTAL SHEETS
ROUTE 99-00243-00-PV	KANE	288
336	CONTRACT NO. 83782	22
CROSS SECTION STA. 37+00 TO STA. 38+50		
F.H.W.A. REG. 5 ILLINOIS PROJECT F-0336(00)		

SEE SHEET 109 109 FOR IL. ROUTE 64 INTERSECTION ELEVATIONS



RANDALL ROAD

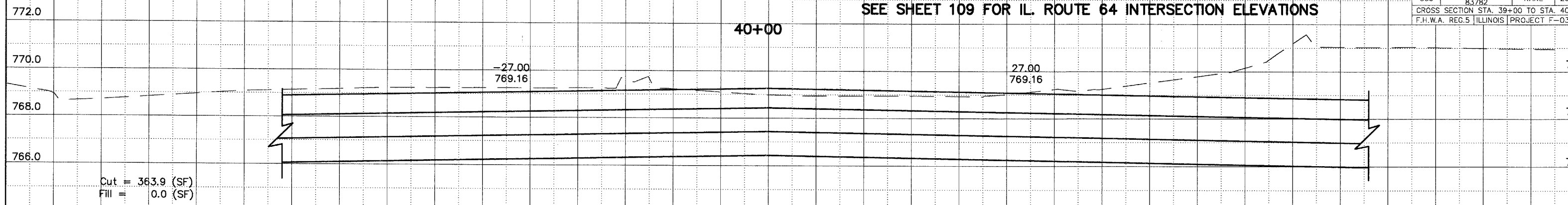
SCALE:
1" = 5' HORIZ.
1" = 2' VERT.

-80 -70 -60 -50 -40 -30 -20 -10 0 10 20 30 40 50 60 70 80

F.A.P. COUNTY SECTION	ROUTE 99-00243-00-PV	COUNTY	TOTAL SHEETS
336	CONTRACT NO. 83782	KANE	268 22
CROSS SECTION STA. 39+00 TO STA. 40+00		PROJECT F-0336(00)	

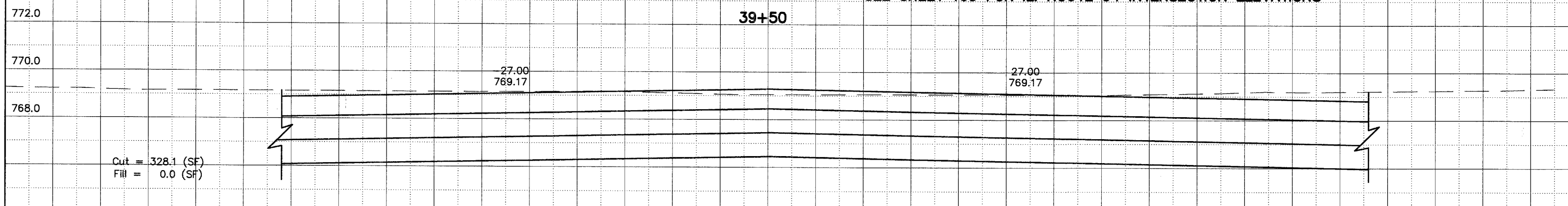
SEE SHEET 109 FOR IL. ROUTE 64 INTERSECTION ELEVATIONS

40+00



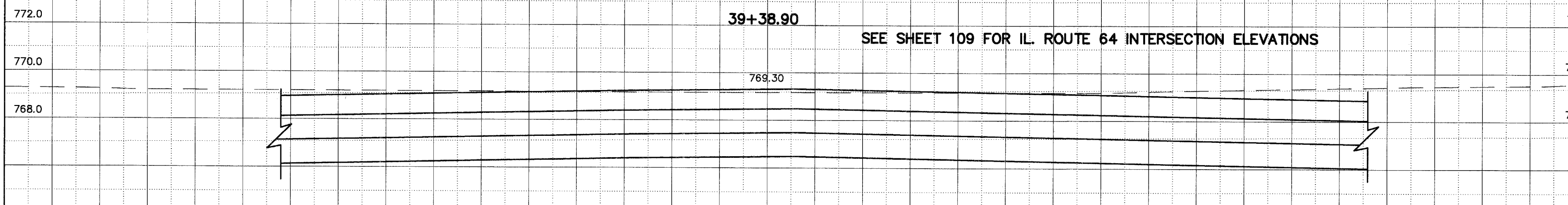
SEE SHEET 109 FOR IL. ROUTE 64 INTERSECTION ELEVATIONS

39+50



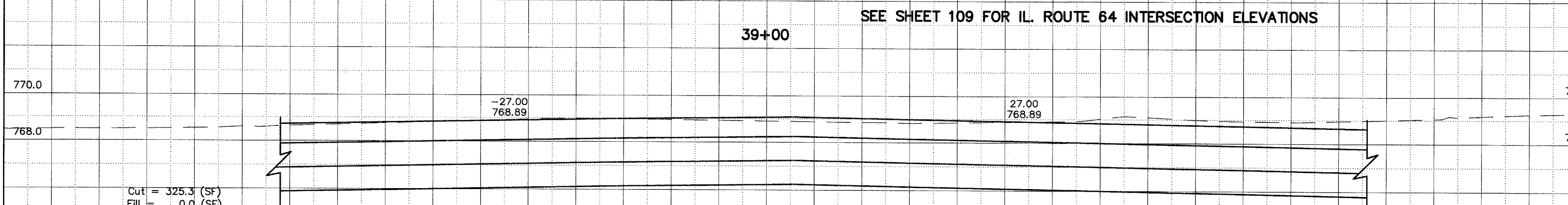
SEE SHEET 109 FOR IL. ROUTE 64 INTERSECTION ELEVATIONS

39+38.90



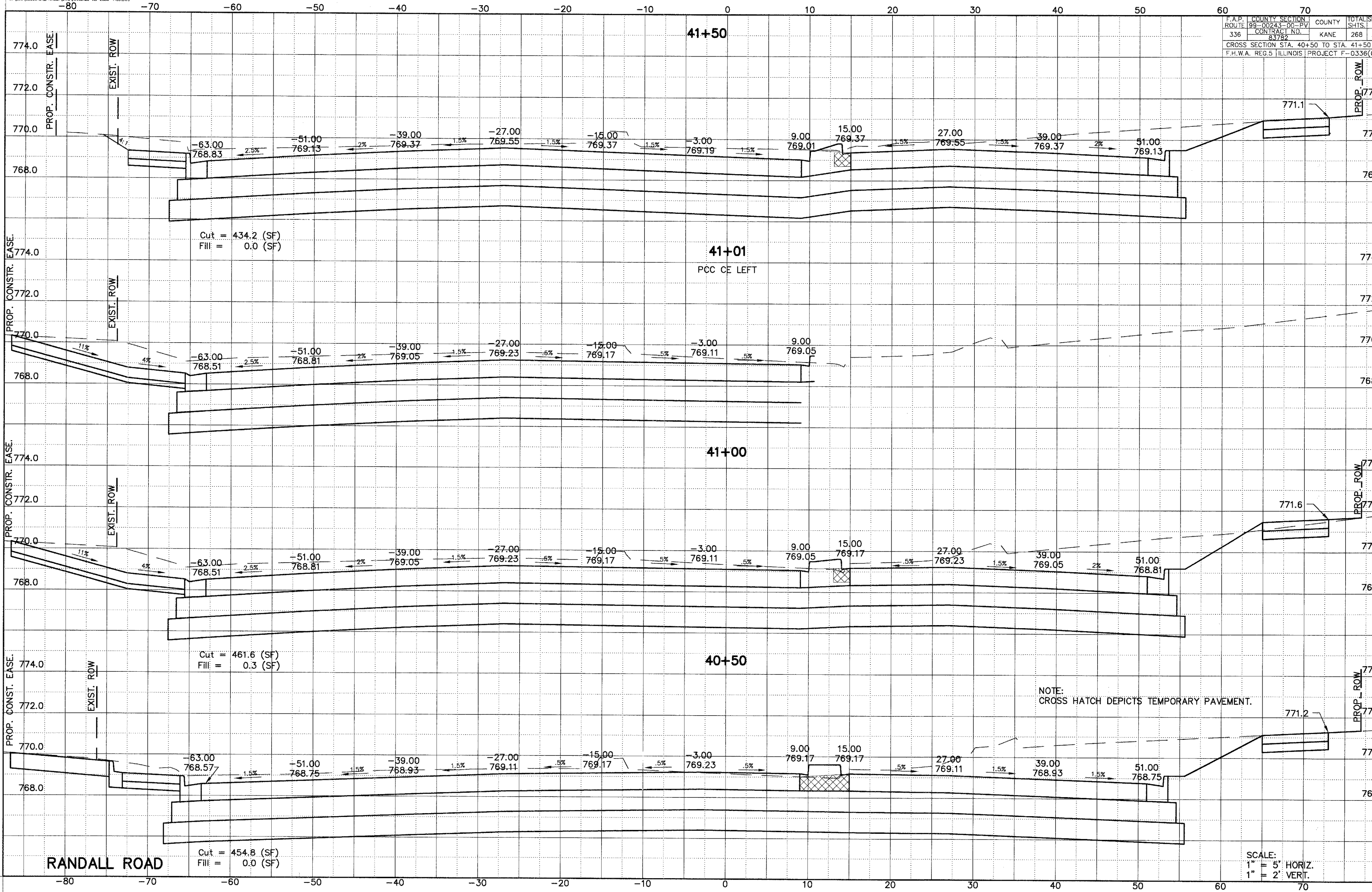
SEE SHEET 109 FOR IL. ROUTE 64 INTERSECTION ELEVATIONS

39+00



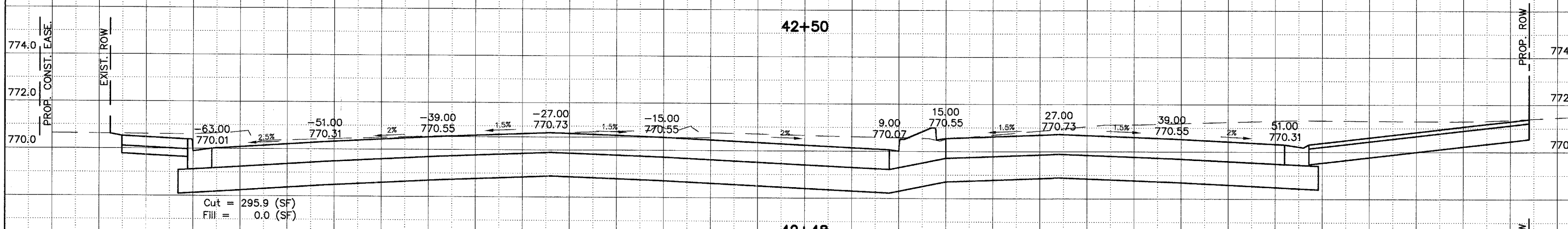
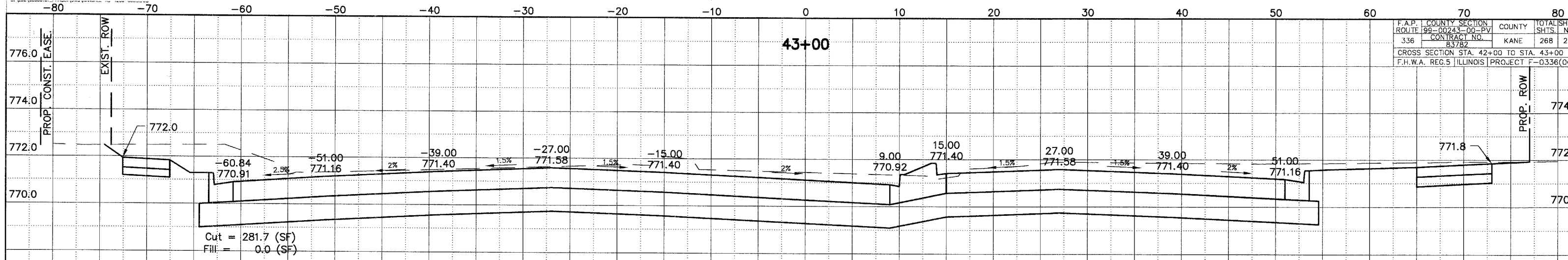
RANDALL ROAD

SCALE:
1" = 5' HORIZ.
1" = 2' VERT.

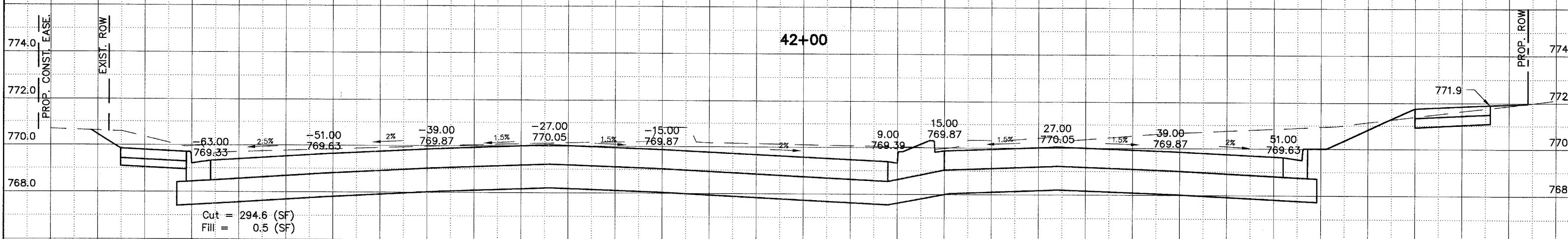
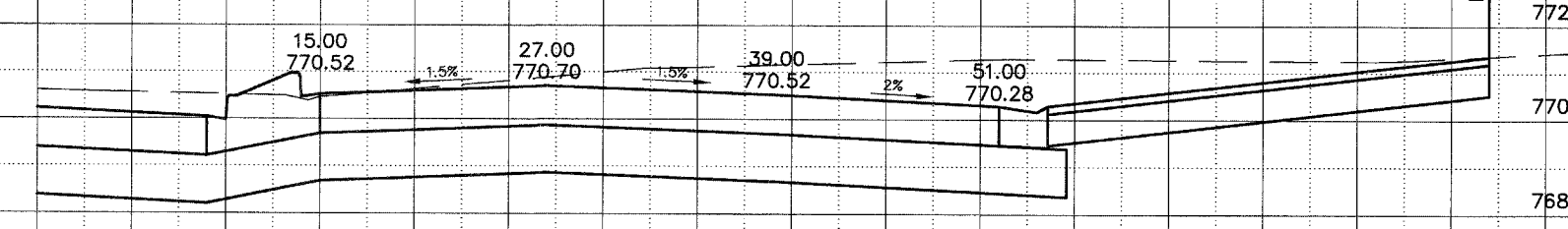


SCALE:
1" = 5' HORIZ.
1" = 2' VERT.

F.A.P. COUNTY SECTION	TOTAL SHEETS
ROUTE 99-00243-00-PV	268 22
CONTRACT NO. 83782	KANE
CROSS SECTION STA. 42+00 TO STA. 43+00	
F.H.W.A. REG.5 ILLINOIS PROJECT F-0336(00)	



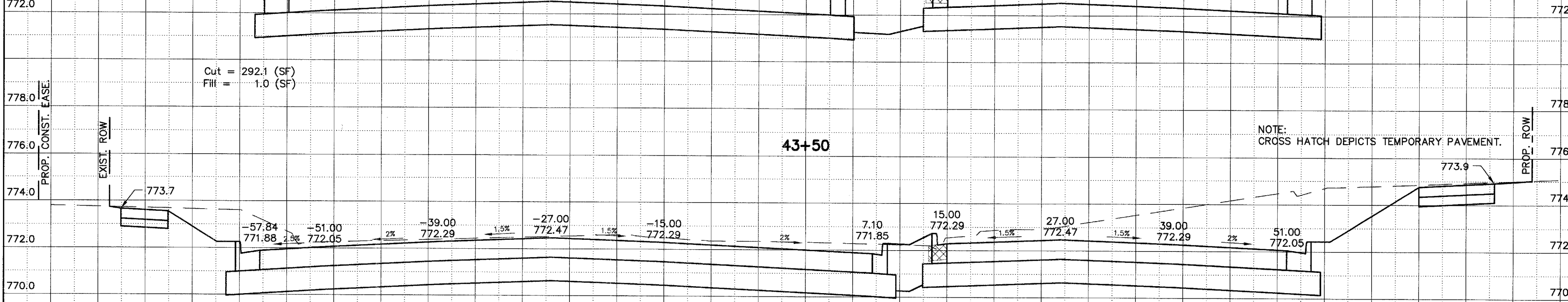
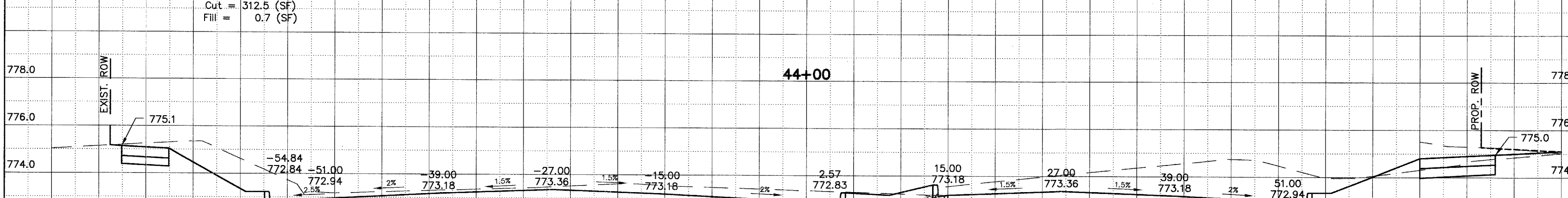
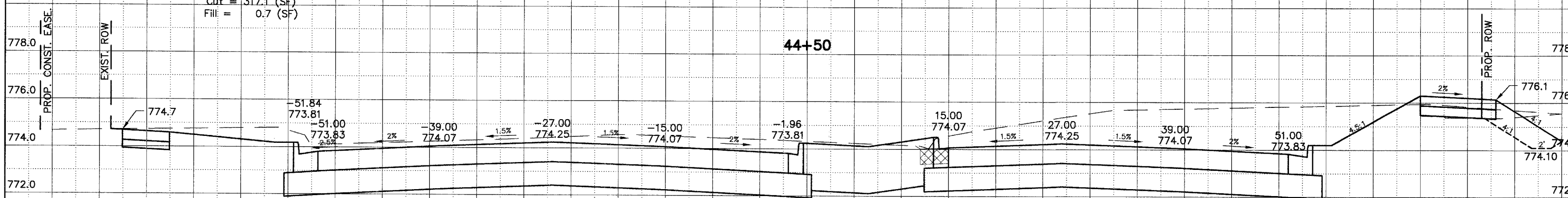
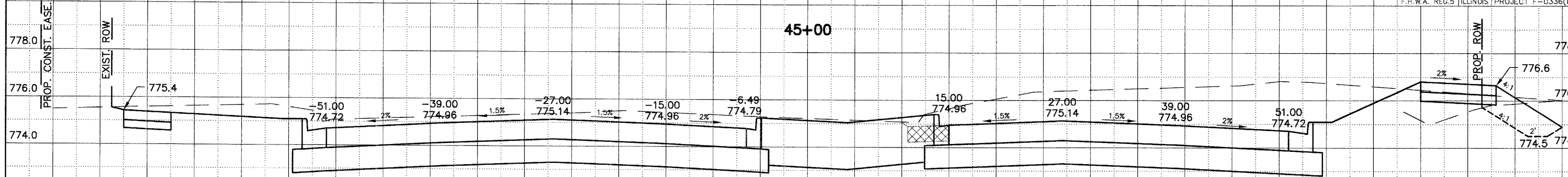
42+48
BIT CE RT



RANDALL ROAD

SCALE:
1" = 5' HORIZ.
1" = 2' VERT.

F.A.P. ROUTE	COUNTY SECTION	COUNTY	TOTAL SHEETS
336	99-00243-00-PV	KANE	268
	CONTRACT NO.		22
	83782		
CROSS SECTION STA. 43+50 TO STA. 45+00			
F.H.W.A. REG. 5 ILLINOIS PROJECT F-0336(00)			

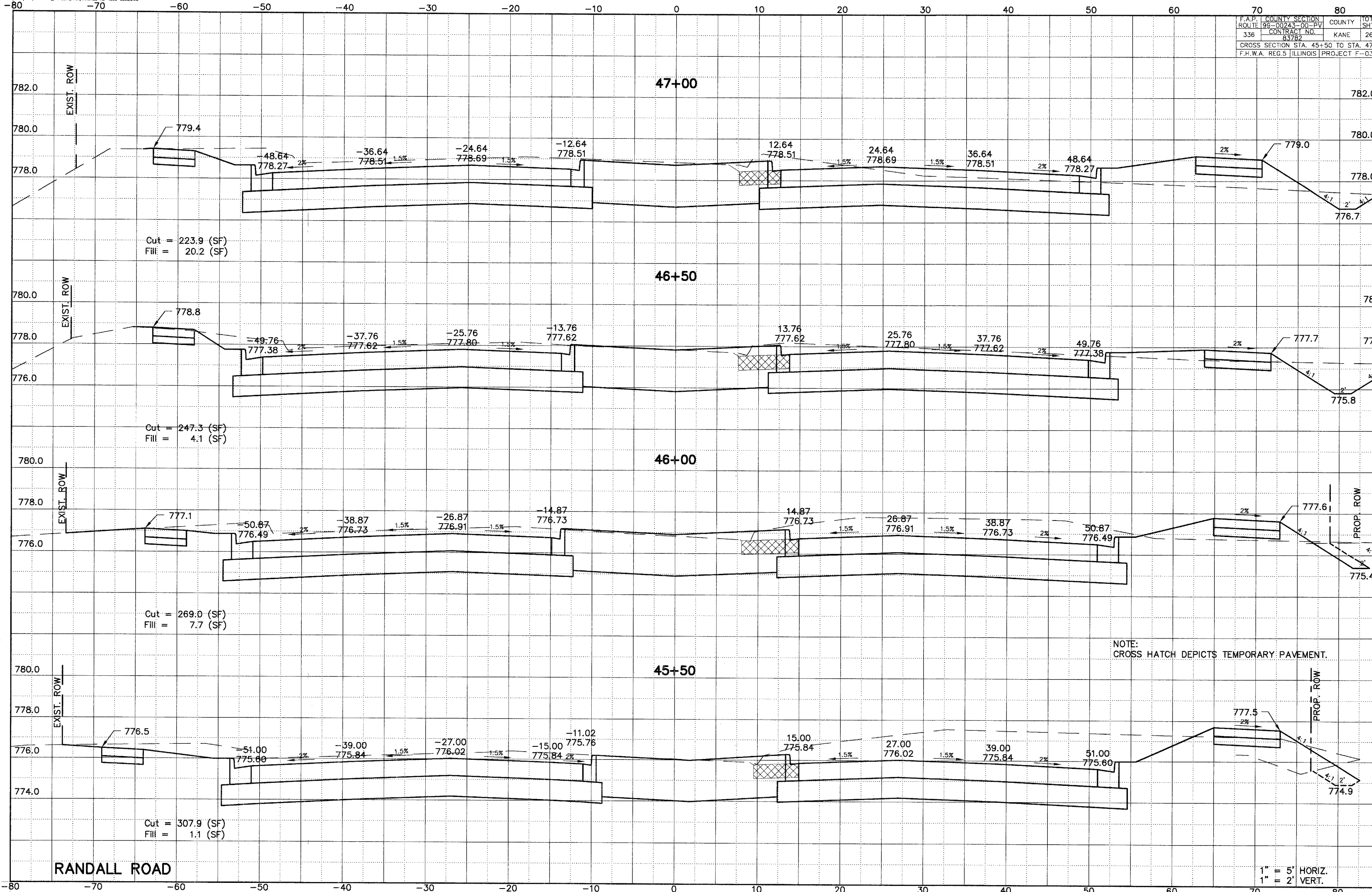


NOTE: CROSS HATCH DEPICTS TEMPORARY PAVEMENT.

RANDALL ROAD

SCALE:
1" = 5' HORIZ.
1" = 2' VERT.

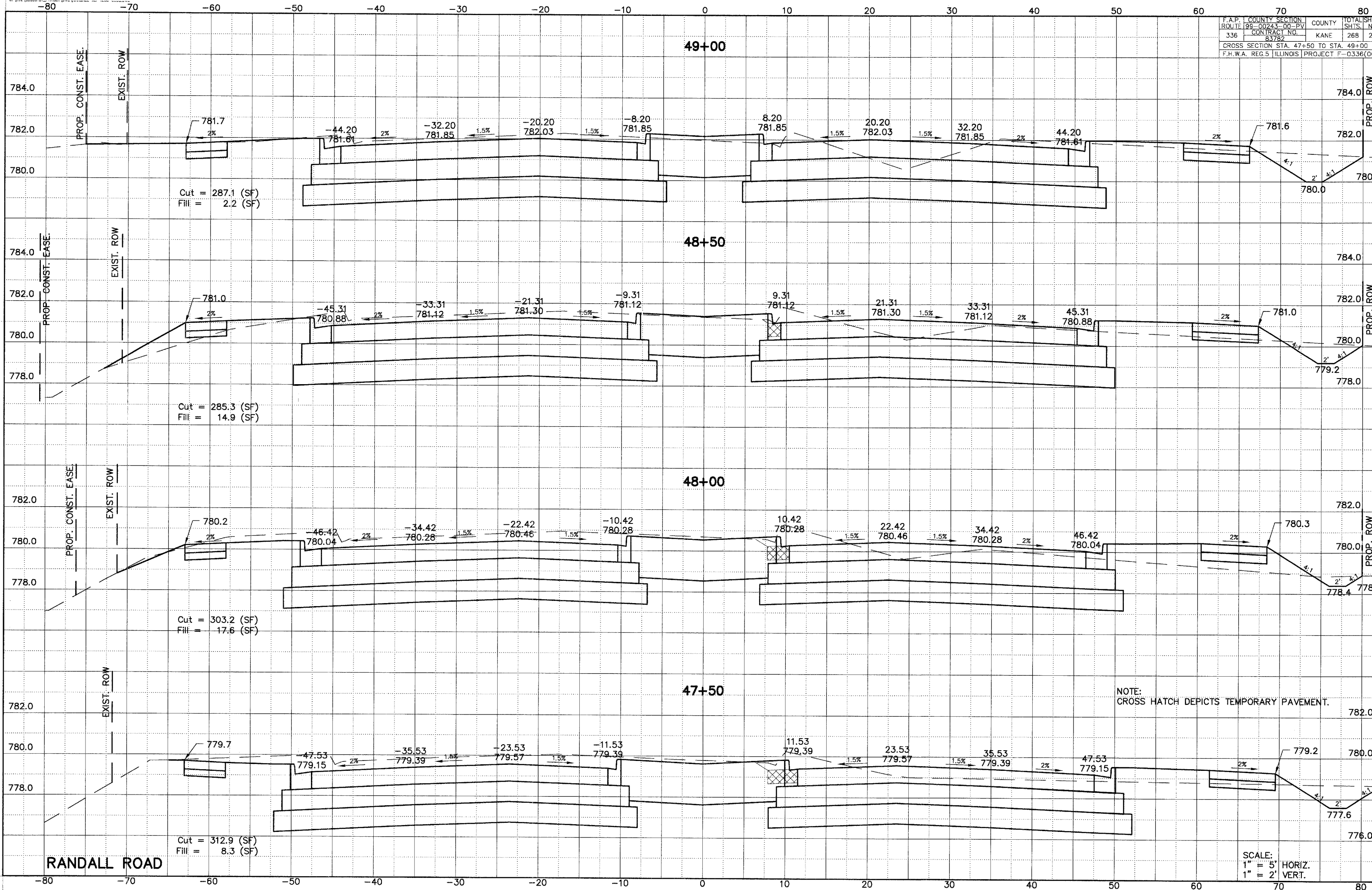
F.A.P. COUNTY SECTION	TOTAL SHEETS
ROUTE 99-00243-00-PV	268
CONTRACT NO. 83782	23
CROSS SECTION STA. 45+50 TO STA. 47+00	
F.H.W.A. REG. 5 ILLINOIS PROJECT F-0336(00)	



NOTE: CROSS HATCH DEPICTS TEMPORARY PAVEMENT.

1" = 5' HORIZ.
 1" = 2' VERT.

F.A.P. COUNTY SECTION	TOTAL SHEETS
ROUTE 99-00243-00-PV COUNTY	268 23
CONTRACT NO. 83782	KANE 268
CROSS SECTION STA. 47+50 TO STA. 49+00	
F.H.W.A. REG.5 ILLINOIS PROJECT F-0336(00)	

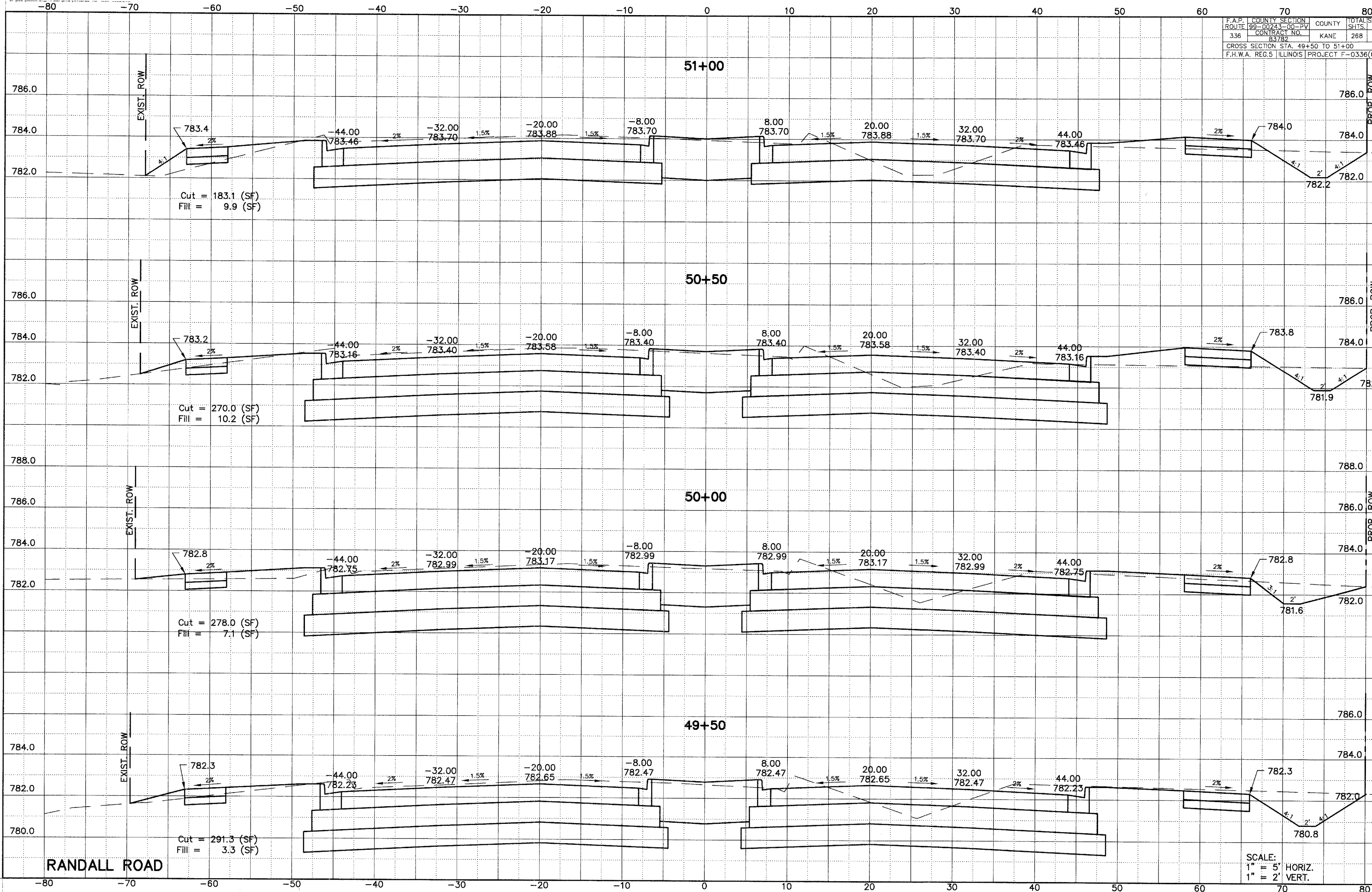


NOTE:
CROSS HATCH DEPICTS TEMPORARY PAVEMENT.

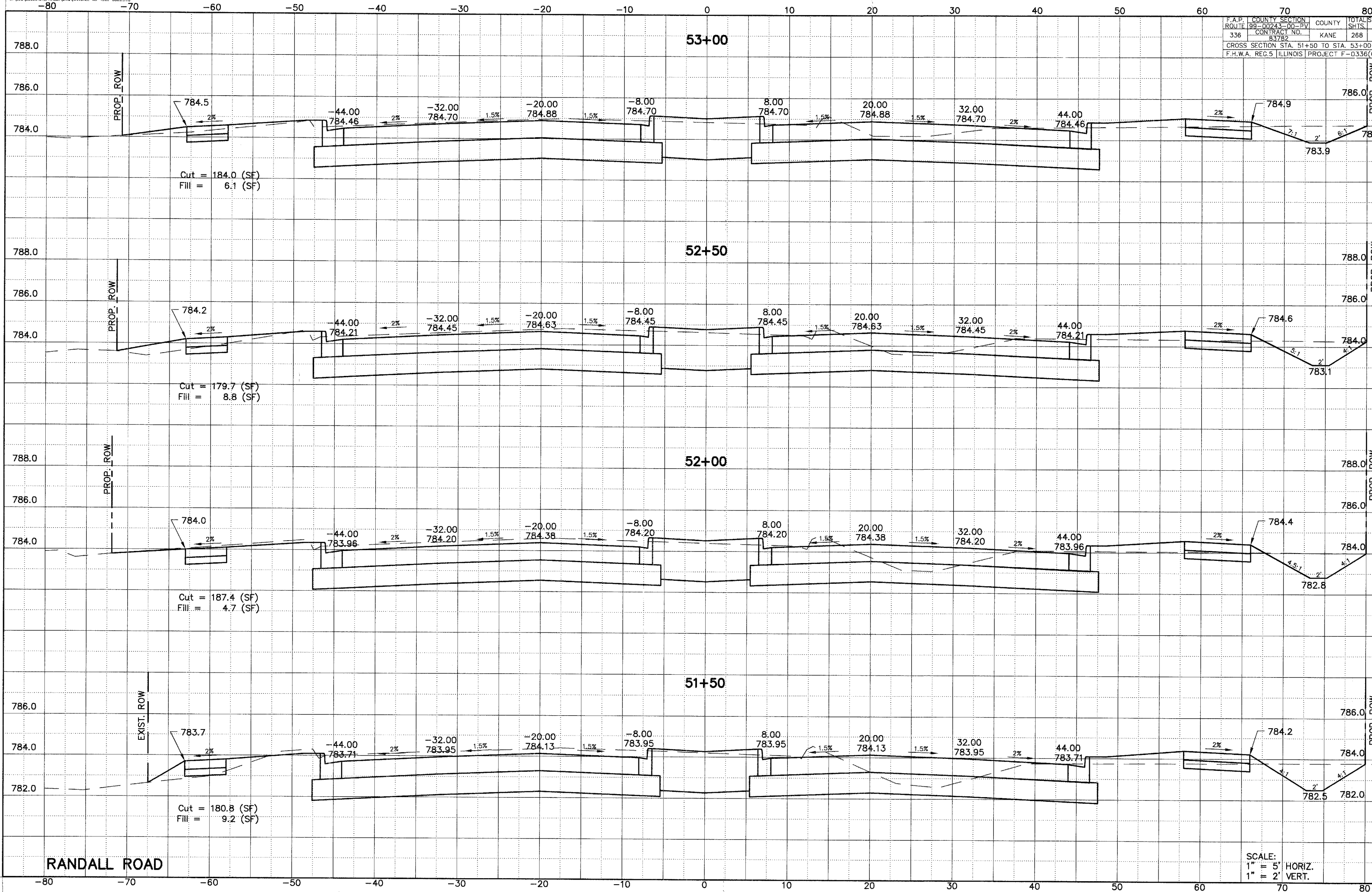
SCALE:
1" = 5' HORIZ.
1" = 2' VERT.

RANDALL ROAD

F.A.P. COUNTY SECTION	TOTAL SHEETS
ROUTE 99-00243-00-PV	288
CONTRACT NO. 83782	23
CROSS SECTION STA. 49+50 TO 51+00	
F.H.W.A. REG.5 ILLINOIS PROJECT F-0336(00)	



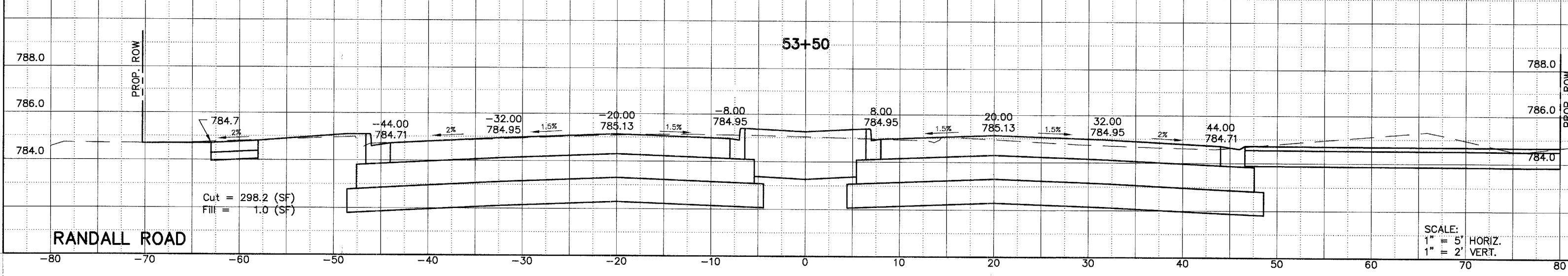
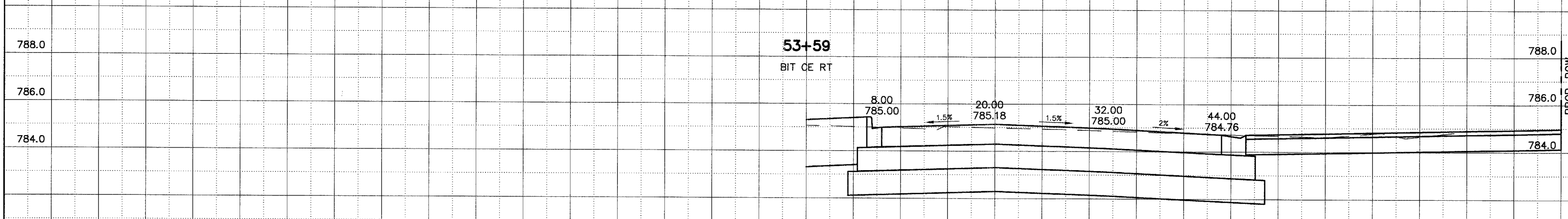
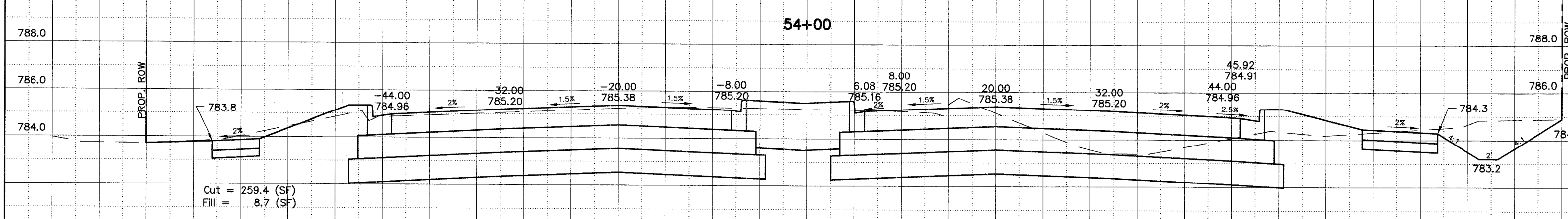
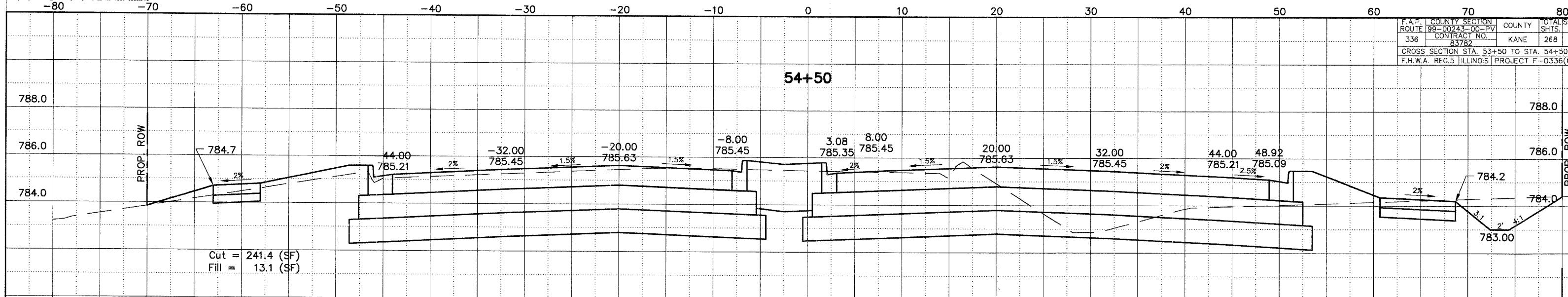
F.A.P. ROUTE	COUNTY SECTION	TOTAL SHEETS
336	99-00243-00-PV	288
CONTRACT NO.	COUNTY	SHEET NO.
83782	KANE	23
CROSS SECTION STA. 51+50 TO STA. 53+00		
F.H.W.A. REC.5 ILLINOIS PROJECT F-0336(00)		



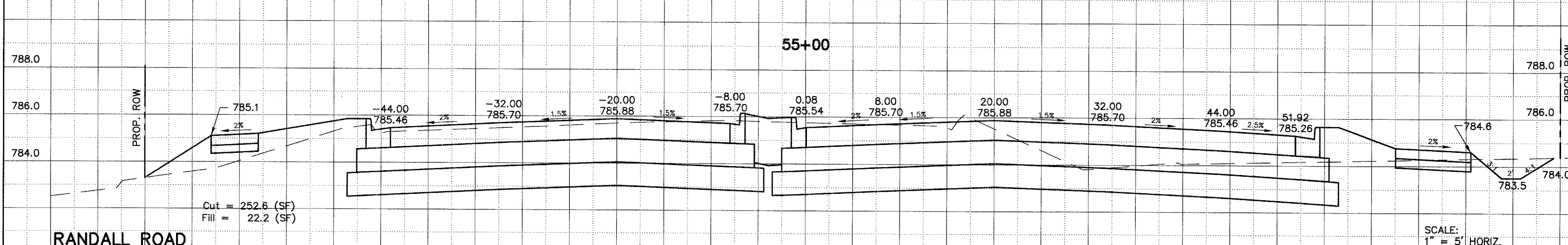
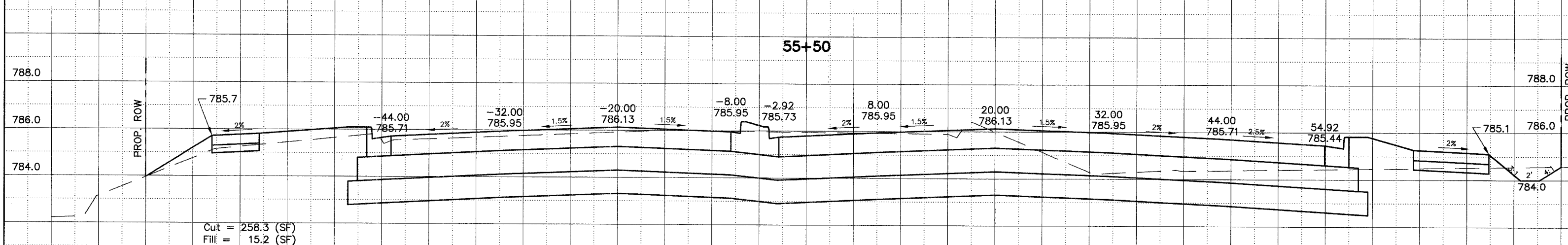
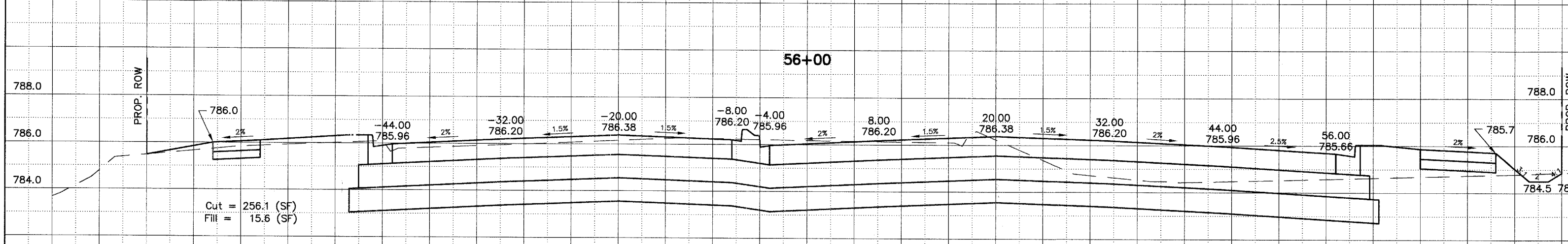
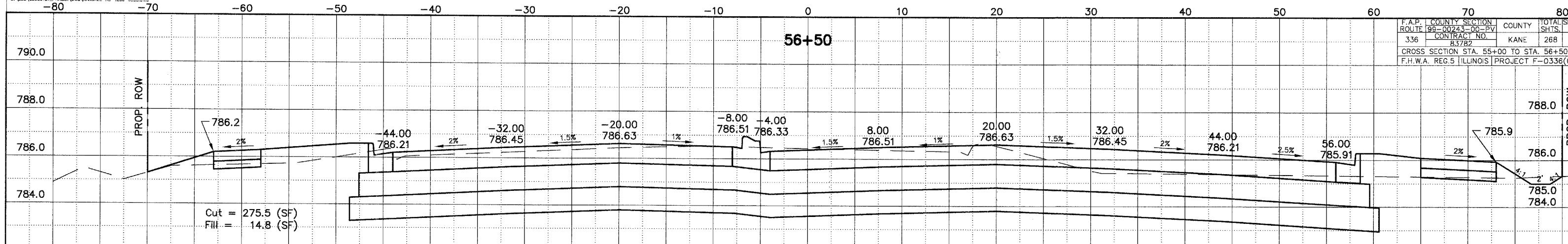
RANDALL ROAD

SCALE:
 1" = 5' HORIZ.
 1" = 2' VERT.

F.A.P. COUNTY SECTION	ROUTE 99-00243-00-PV	COUNTY	TOTAL SHEETS
336	CONTRACT NO. 83782	KANE	288 23
CROSS SECTION STA. 53+50 TO STA. 54+50			
F.H.W.A. REG. 5 ILLINOIS PROJECT F-0336(00)			



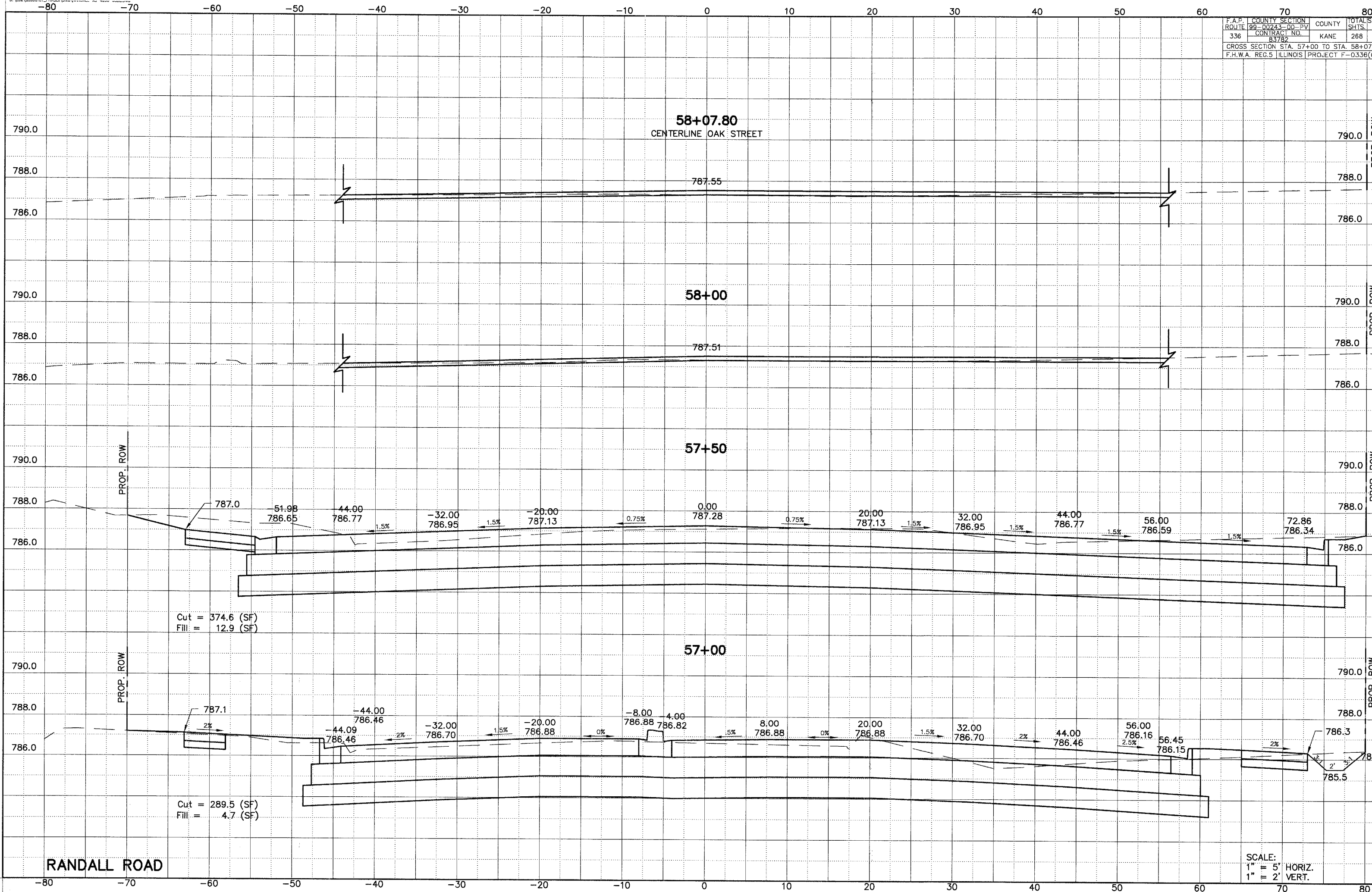
F.A.P. COUNTY SECTION	ROUTE 336	99-00243-00-PV	CONTRACT NO. 83782	COUNTY KANE	TOTAL SHEETS 288	SHEET NO. 23
CROSS SECTION STA. 55+00 TO STA. 56+50						
F.H.W.A. REG. 5 ILLINOIS PROJECT F-0336(00)						



RANDALL ROAD

SCALE:
1" = 5' HORIZ.
1" = 2' VERT.

F.A.P. COUNTY SECTION	TOTAL SHEETS
ROUTE 99-00243-00-BV	268 23
CONTRACT NO. 83782	COUNTY KANE
CROSS SECTION STA. 57+00 TO STA. 58+07.8	PROJECT F-0336(00)



58+07.80
CENTERLINE OAK STREET

58+00

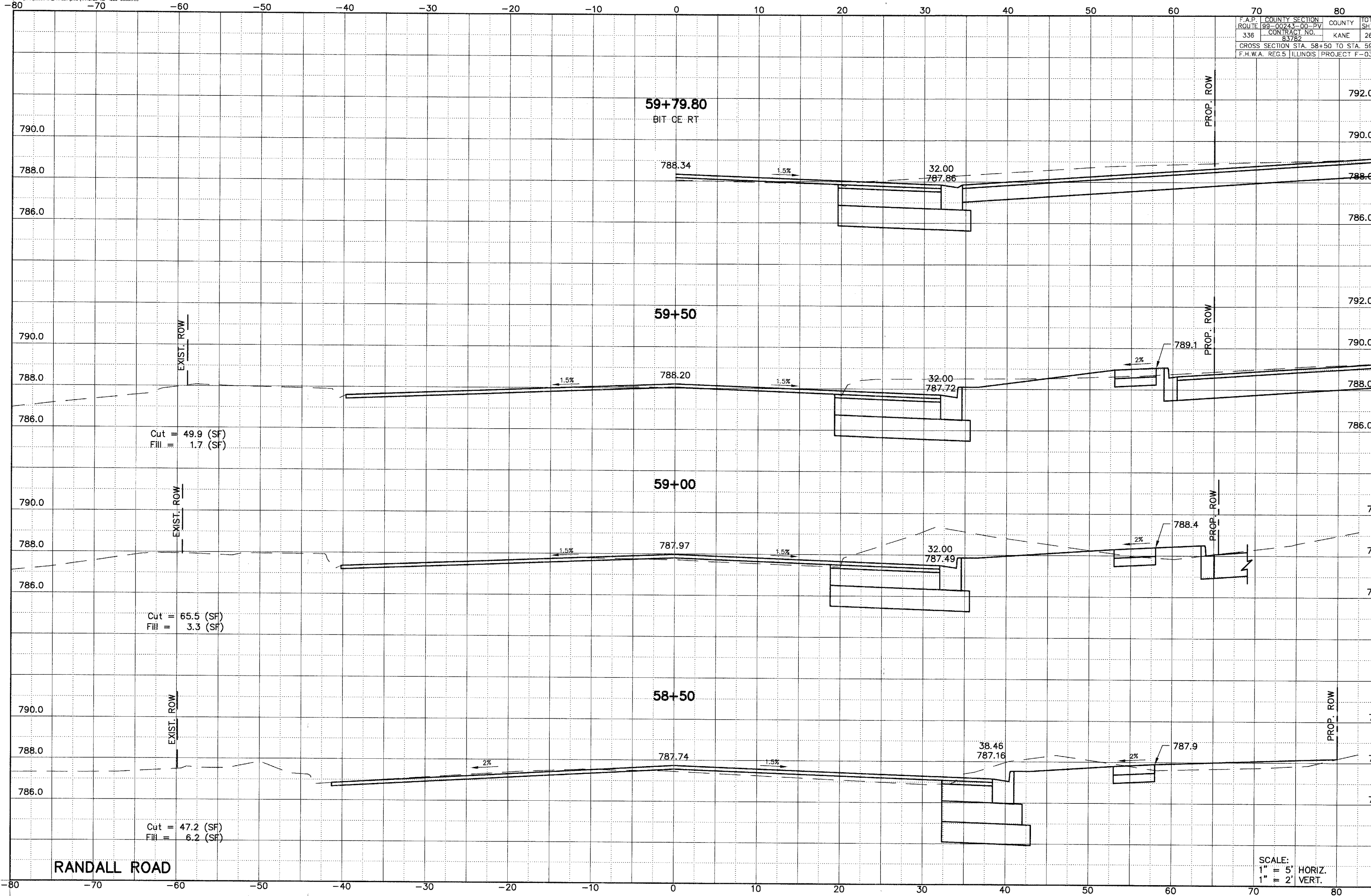
57+50

57+00

RANDALL ROAD

SCALE:
1" = 5' HORIZ.
1" = 2' VERT.

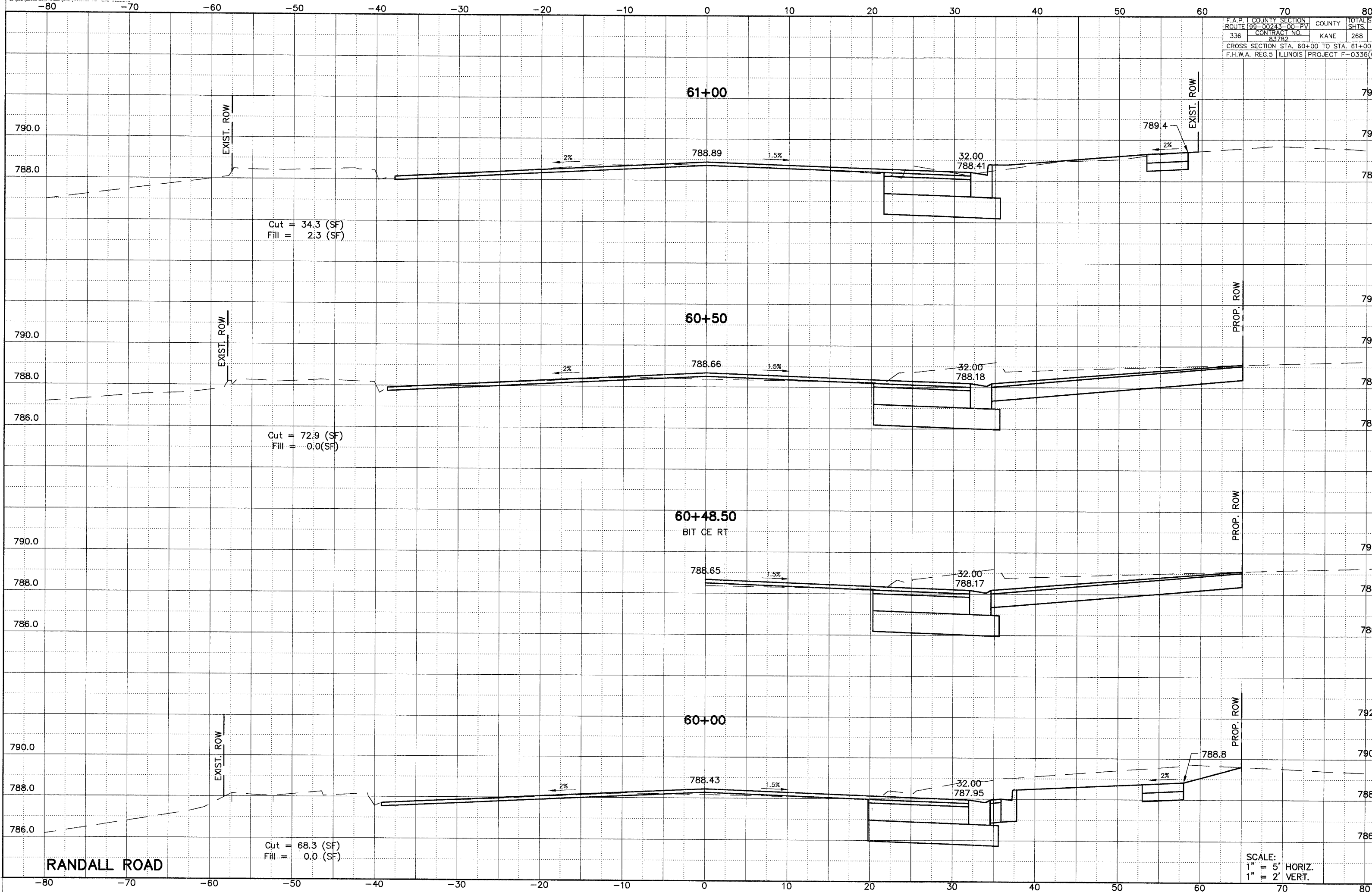
F.A.P. COUNTY SECTION	ROUTE 99-00243-00-PV	COUNTY	TOTAL SHEETS
CONTRACT NO.	83782	KANE	288
CROSS SECTION STA.	58+50 TO STA. 59+79.8		23
F.H.W.A. REG.5 ILLINOIS PROJECT	F-0336(00)		



RANDALL ROAD

SCALE:
1" = 5' HORIZ.
1" = 2' VERT.

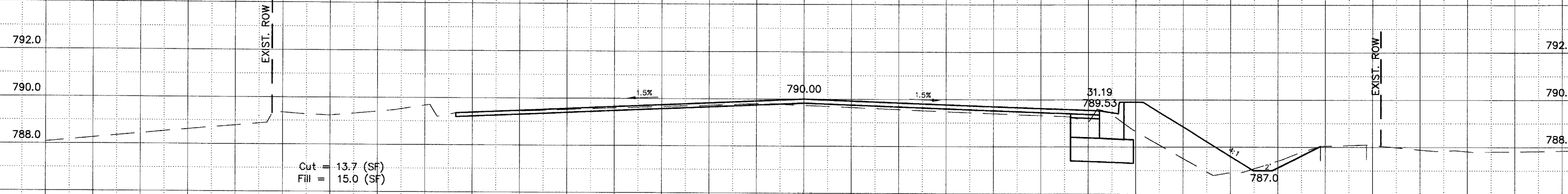
F.A.P. ROUTE	COUNTY SECTION	COUNTY	TOTAL SHEETS
336	99-00243-00-PV	KANE	288
	CONTRACT NO.		23
	83782		
CROSS SECTION STA. 60+00 TO STA. 61+00			
F.H.W.A. REG.5 ILLINOIS		PROJECT F-0336(00)	



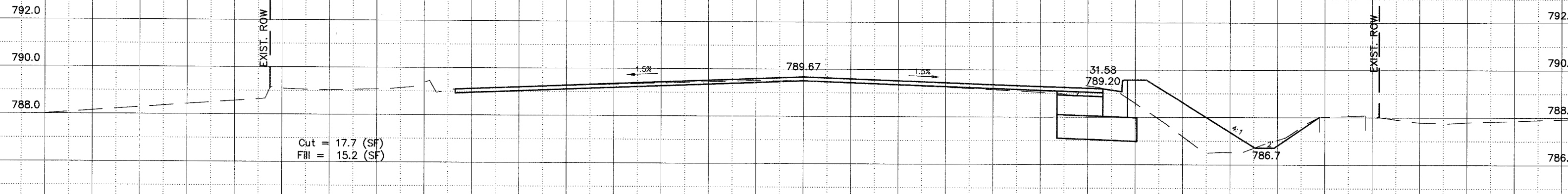
-80 -70 -60 -50 -40 -30 -20 -10 0 10 20 30 40 50 60 70 80

F.A.P. COUNTY SECTION	TOTAL SHEETS
ROUTE 95-00243-00-PV	336
CONTRACT NO.	83782
CROSS SECTION STA. 61+50 TO STA. 63+00	F.H.W.A. REG.5 ILLINOIS PROJECT F-0336(00
COUNTY	KANE
SHTS. NO.	268 23

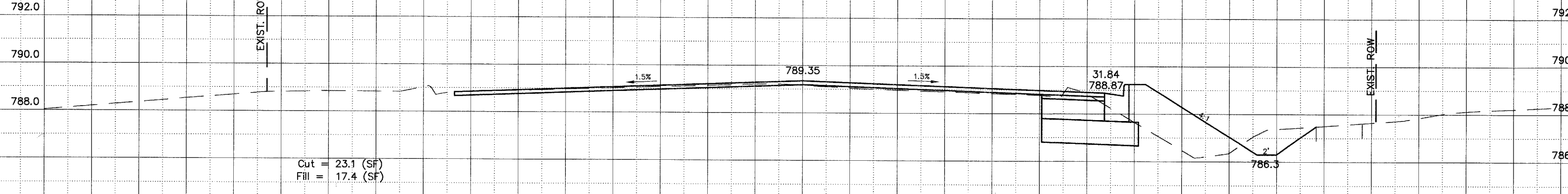
63+00



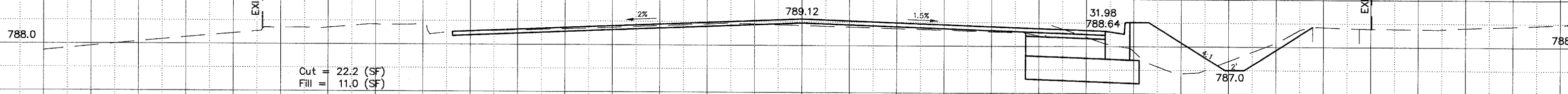
62+50



62+00



61+50

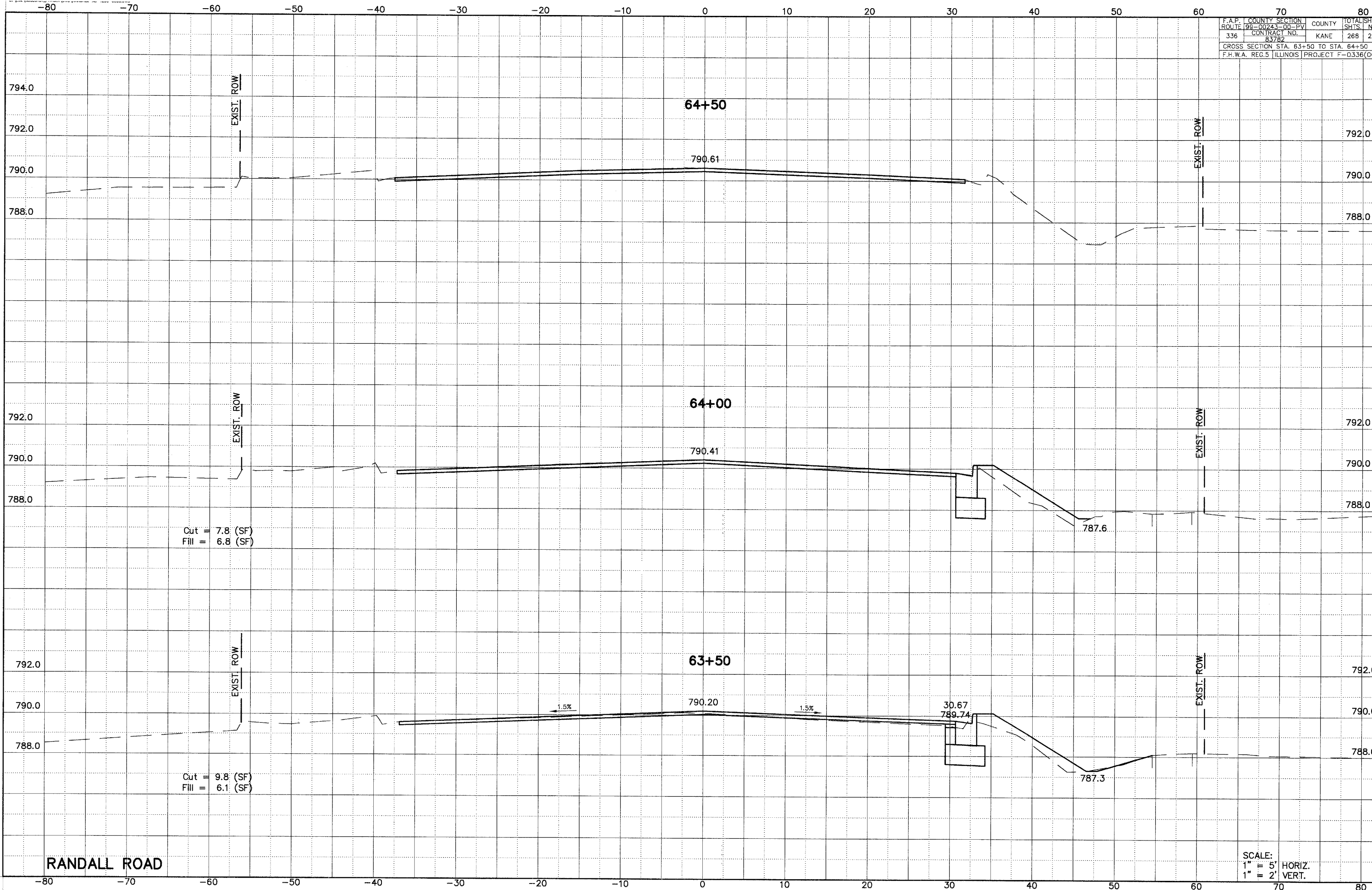


RANDALL ROAD

SCALE:
1" = 5' HORIZ.
1" = 2' VERT.

-80 -70 -60 -50 -40 -30 -20 -10 0 10 20 30 40 50 60 70 80

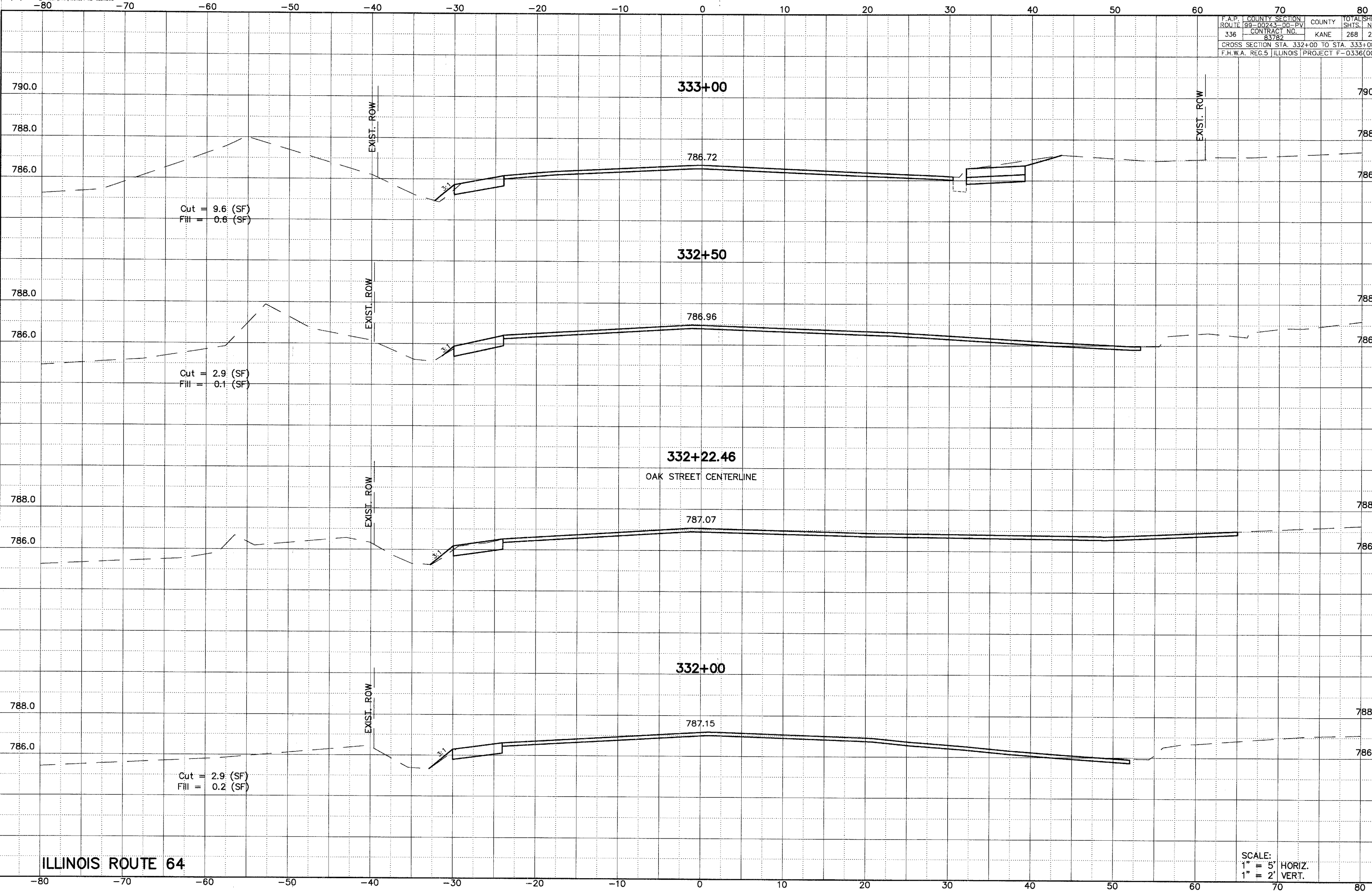
F.A.P. COUNTY SECTION	TOTAL SHEETS
ROUTE 95-00243-00-PV	KANE 268 24
CONTRACT NO. 83782	CROSS SECTION STA. 63+50 TO STA. 64+50
F.H.W.A. REG.5 ILLINOIS	PROJECT F-0336(00)



RANDALL ROAD

SCALE:
1" = 5' HORIZ.
1" = 2' VERT.

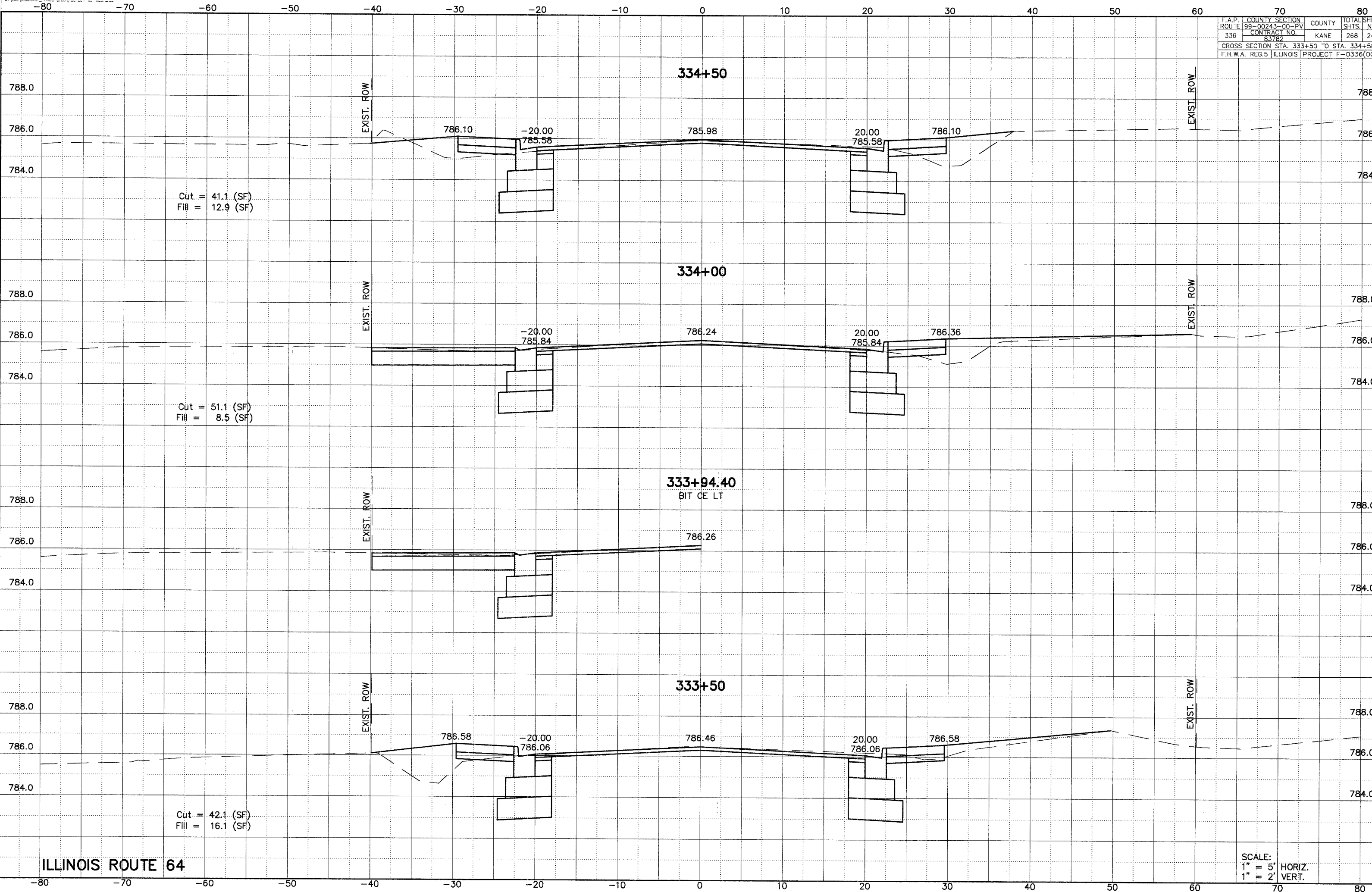
F.A.P.	COUNTY SECTION	COUNTY	TOTAL SHEETS
ROUTE 99-00243-00-PV	336	KANE	268
CONTRACT NO. 83782		SHEET NO. 2	
CROSS SECTION STA. 332+00 TO STA. 333+00			
F.H.W.A. REG.5 ILLINOIS PROJECT F-0336/00			



ILLINOIS ROUTE 64

SCALE:
 1" = 5' HORIZ.
 1" = 2' VERT.

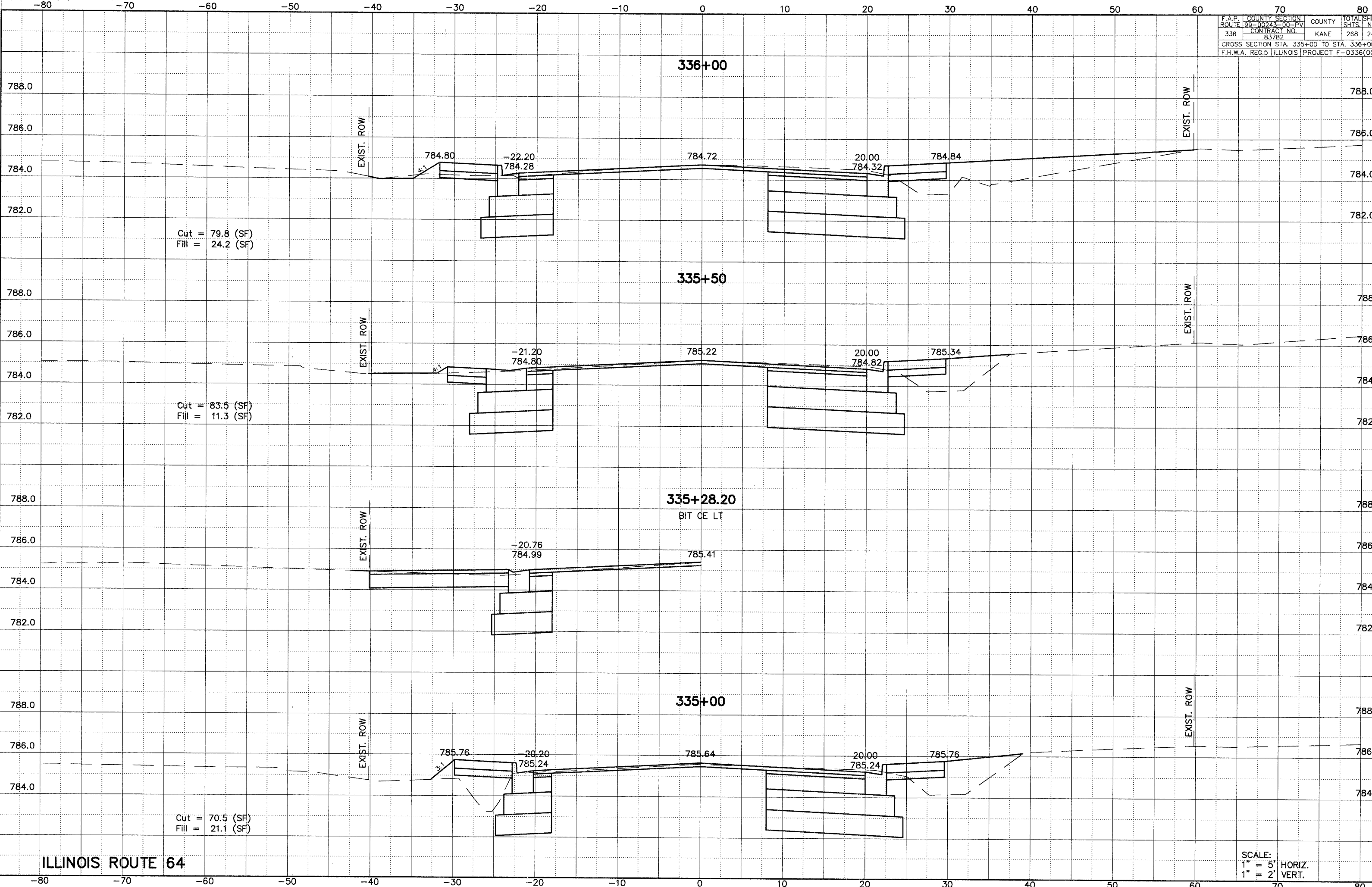
F.A.P. COUNTY SECTION	TOTAL SHEETS
ROUTE 99-00243-00-PV	SHITS, N
336 CONTRACT NO.	KANE 268 2
83782	
CROSS SECTION STA. 333+50 TO STA. 334+50	
F.H.W.A. REG.5 ILLINOIS PROJECT F-033600	



ILLINOIS ROUTE 64

SCALE:
1" = 5' HORIZ.
1" = 2' VERT.

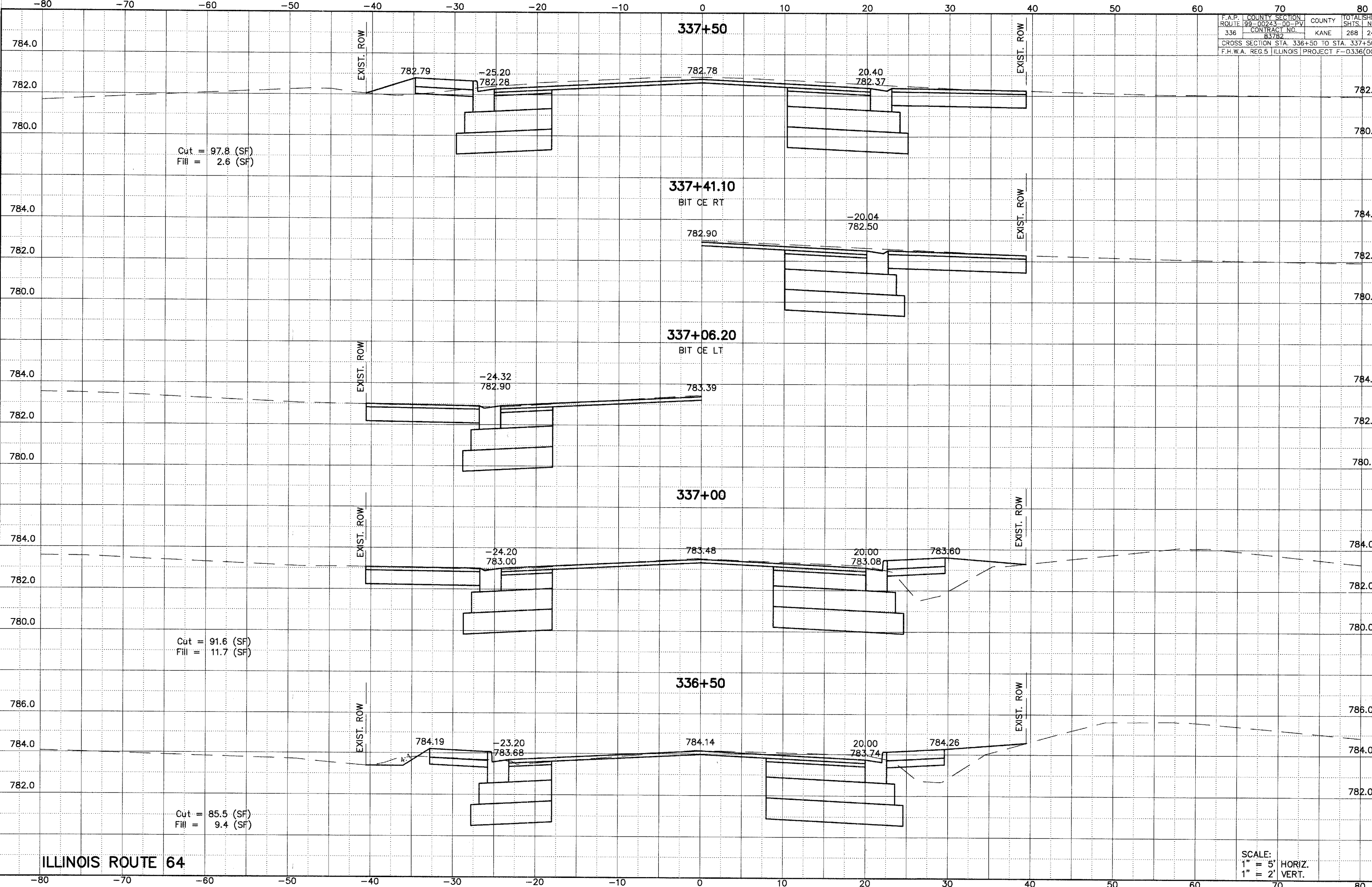
F.A.P. ROUTE	COUNTY	SECTION	COUNTY	TOTAL SHEETS
336	336	00-0243-00-PV	KANE	268
CONTRACT NO.		83782		
CROSS SECTION STA. 335+00 TO STA. 336+00				
F.H.W.A. REG. 5 ILLINOIS PROJECT F-0336(00)				



ILLINOIS ROUTE 64

SCALE:
1" = 5' HORIZ.
1" = 2' VERT.

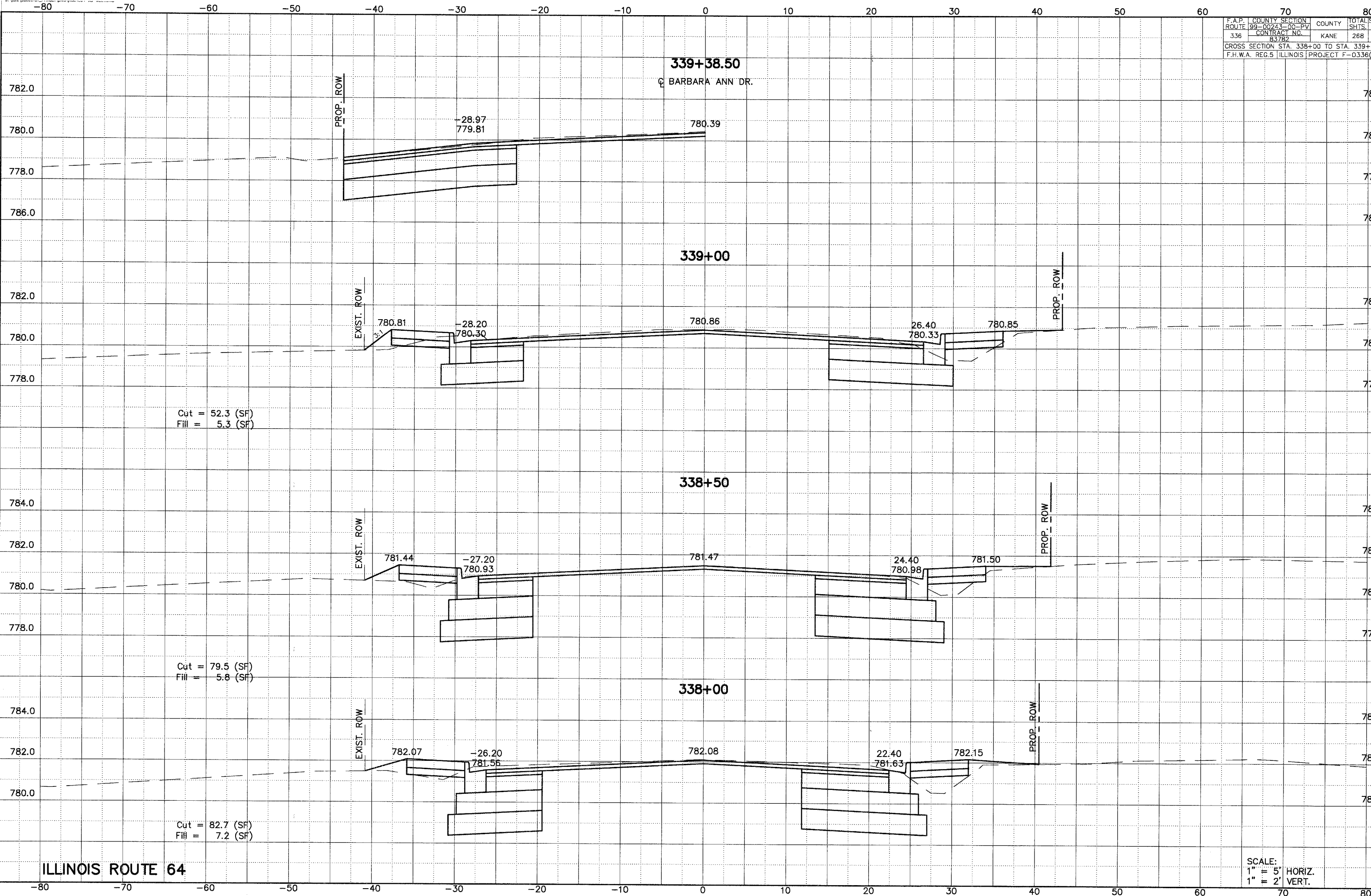
F.A.P.	COUNTY SECTION	TOTAL SHEETS
ROUTE 99-00243-00-PV	KANE	268
336	CONTRACT NO. 83782	2
CROSS SECTION STA. 336+50 TO STA. 337+50		
F.H.W.A. REG. 5 ILLINOIS PROJECT F-0336(00)		



ILLINOIS ROUTE 64

SCALE:
1" = 5' HORIZ.
1" = 2' VERT.

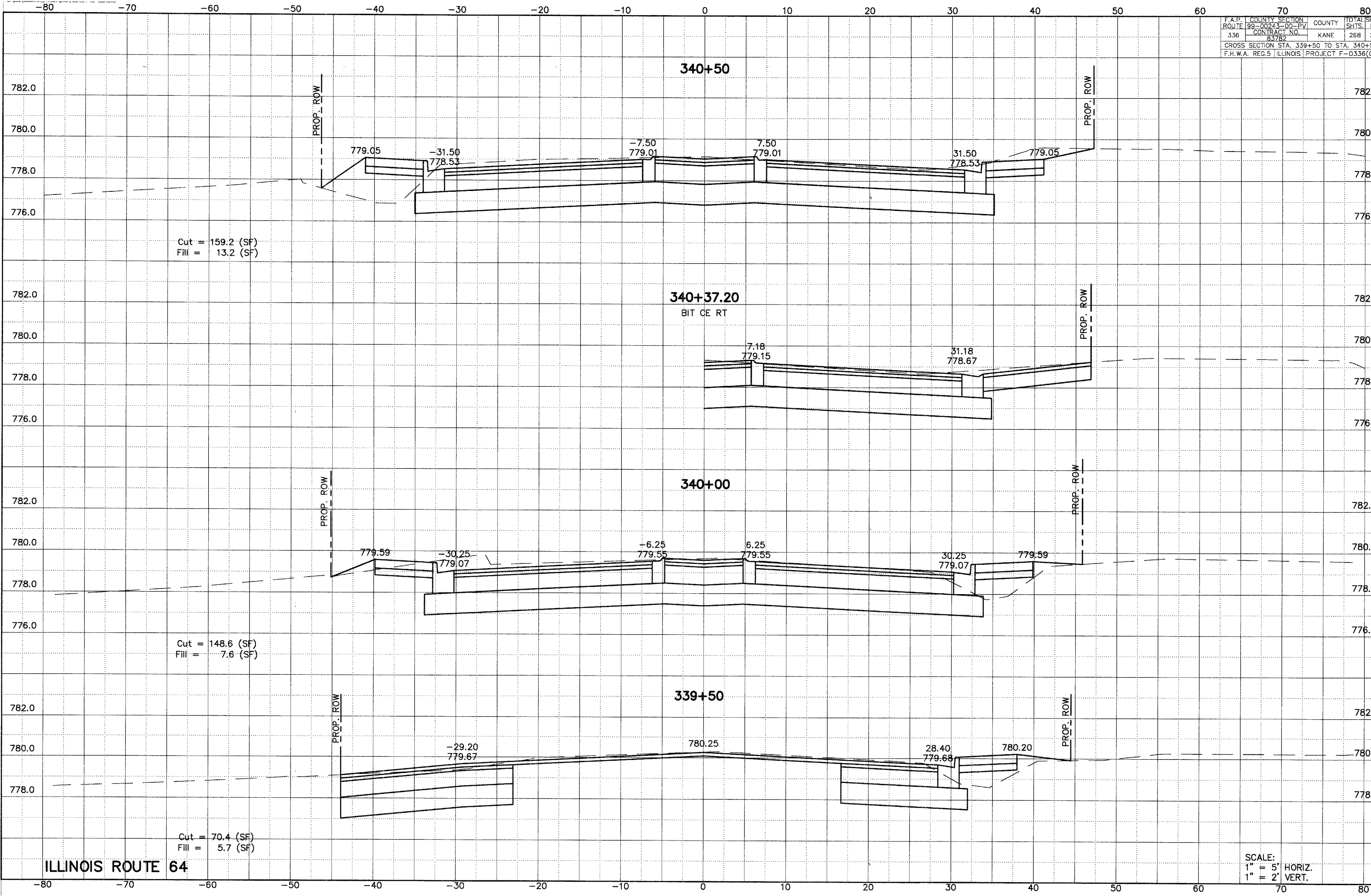
F.A.P. COUNTY SECTION	ROUTE 99-00243-00-PV	COUNTY	KANE	TOTAL SHEETS	268
CONTRACT NO.	83782				
CROSS SECTION STA. 338+00 TO STA. 339+38.50					
F.H.W.A. REG.5 ILLINOIS PROJECT F-033600					



ILLINOIS ROUTE 64

SCALE:
1" = 5' HORIZ.
1" = 2' VERT.

F.A.P.	COUNTY SECTION	COUNTY	TOTAL SHEETS
ROUTE 99-00243-00-PV		KANE	288
336	CONTRACT NO. 83782		24
CROSS SECTION STA. 339+50 TO STA. 340+50			
F.H.W.A. REG.5 ILLINOIS PROJECT F-0336(00)			



Cut = 159.2 (SF)
Fill = 13.2 (SF)

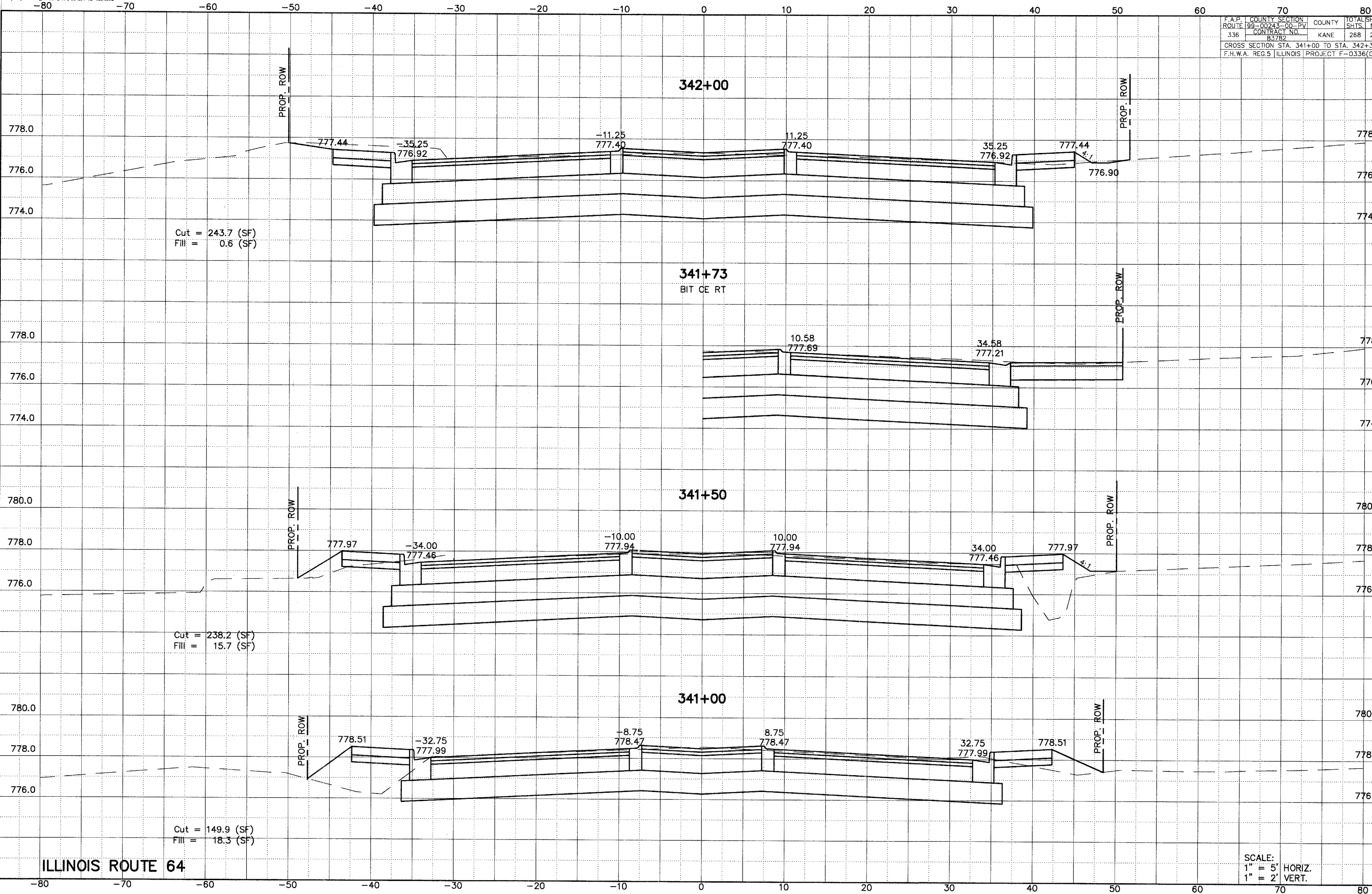
Cut = 148.6 (SF)
Fill = 7.6 (SF)

Cut = 70.4 (SF)
Fill = 5.7 (SF)

ILLINOIS ROUTE 64

SCALE:
1" = 5' HORIZ.
1" = 2' VERT.

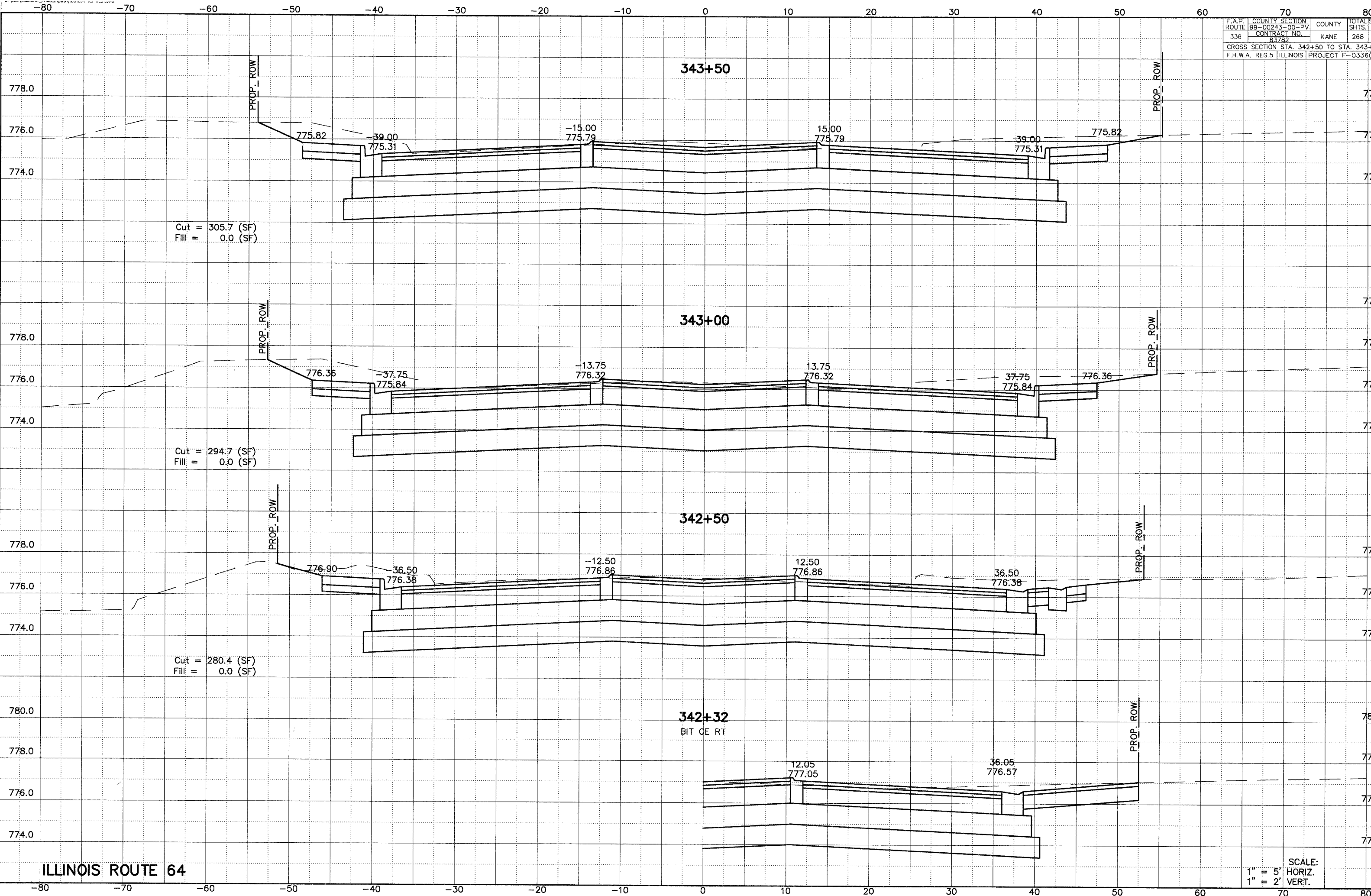
F.A.P. COUNTY SECTION	ROUTE 99-00243-00-PV	COUNTY	TOTAL SH.
336	CONTRACT NO. 83782	KANE	268 2
CROSS SECTION STA. 341+00 TO STA. 342+30			
F.H.W.A. REG.5 ILLINOIS PROJECT F-0336(00			



ILLINOIS ROUTE 64

SCALE:
1" = 5' HORIZ.
1" = 2' VERT.

F.A.P. COUNTY SECTION	ROUTE 99-00243-00-PV	COUNTY	TOTAL SHEETS
336	CONTRACT NO. 83782	KANE	268
CROSS SECTION STA. 342+50 TO STA. 343+50			
F.H.W.A. REG.5 ILLINOIS PROJECT F-033600			



Cut = 305.7 (SF)
Fill = 0.0 (SF)

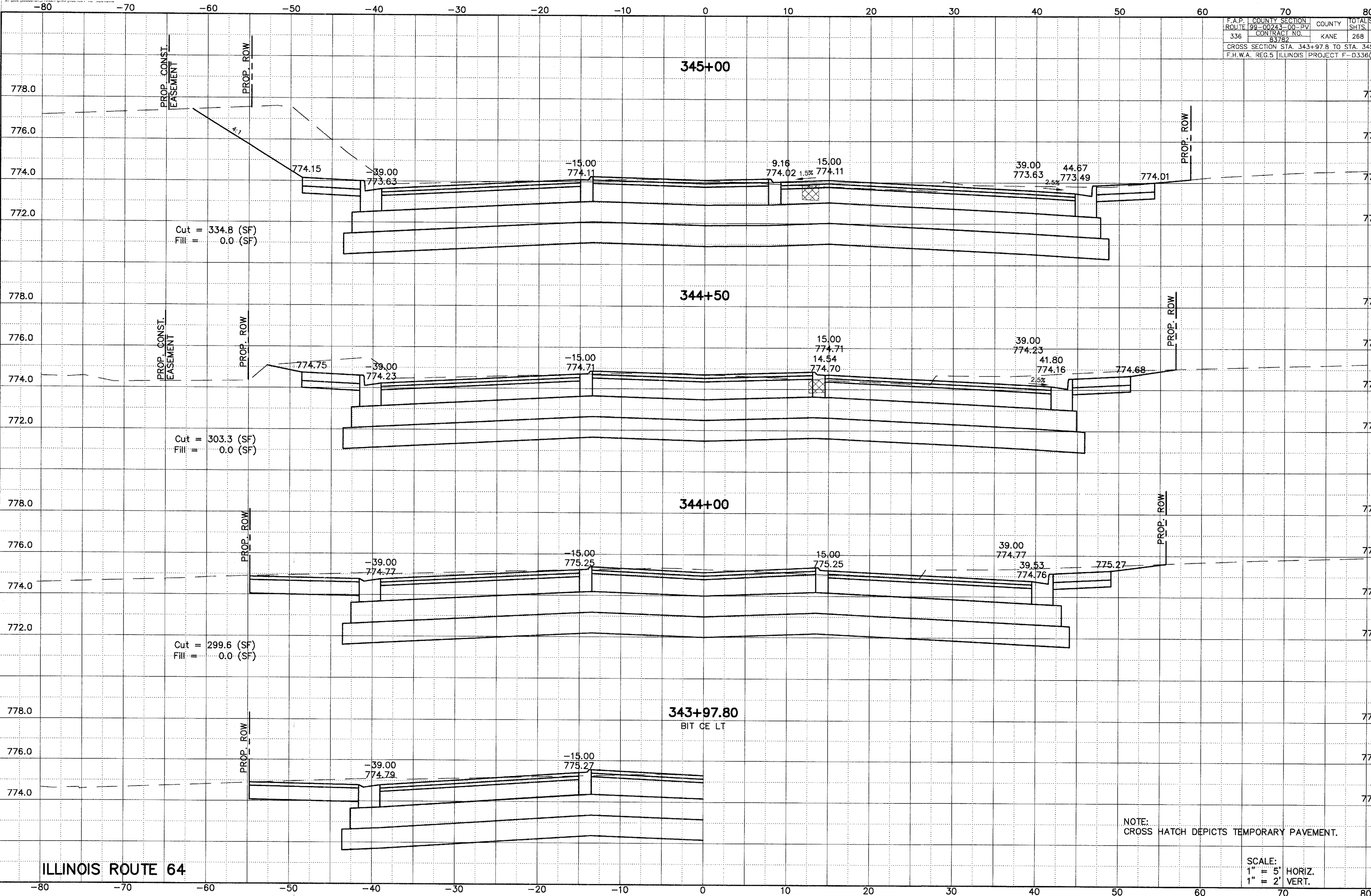
Cut = 294.7 (SF)
Fill = 0.0 (SF)

Cut = 280.4 (SF)
Fill = 0.0 (SF)

ILLINOIS ROUTE 64

SCALE:
1" = 5' HORIZ.
1" = 2' VERT.

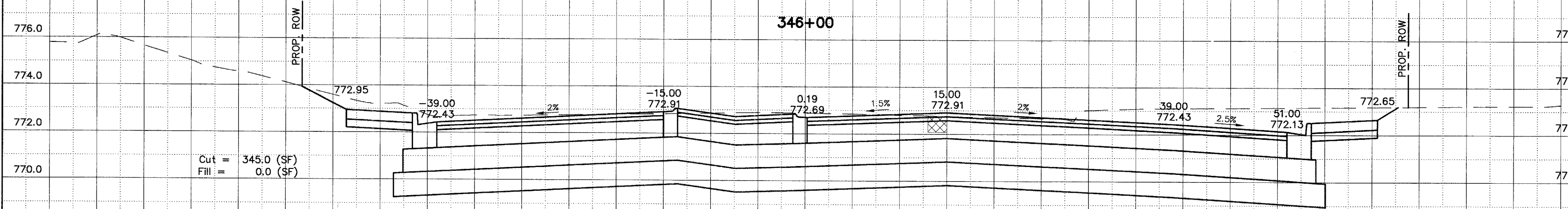
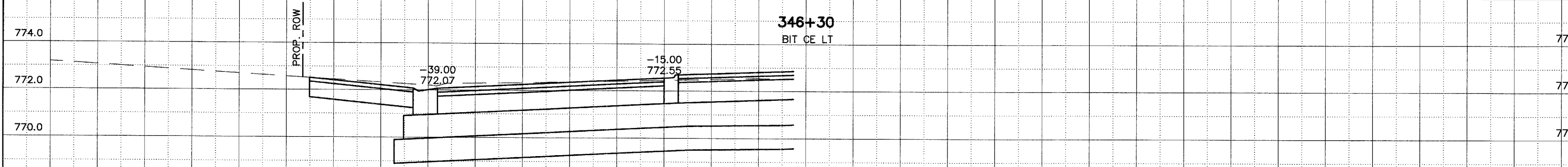
F.A.P. ROUTE	COUNTY SECTION	COUNTY	TOTAL SHEETS
336	99-00243-00-PV	KANE	268
	CONTRACT NO.		2
	83782		
CROSS SECTION STA. 343+97.8 TO STA. 345+00			
F.H.W.A. REG.5 ILLINOIS PROJECT F-033600			



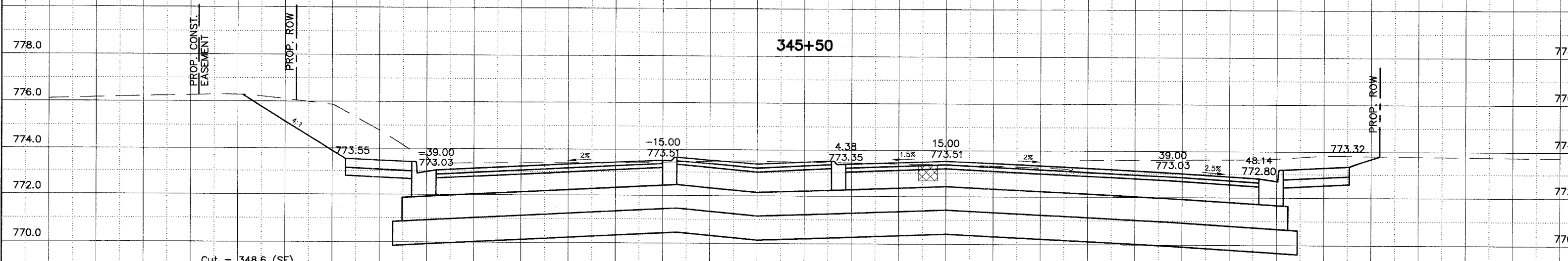
ILLINOIS ROUTE 64

-80 -70 -60 -50 -40 -30 -20 -10 0 10 20 30 40 50 60 70 80

F.A.P. ROUTE	COUNTY SECTION	COUNTY	TOTAL SHEETS
336	99-00243-00-PV	KANE	268
	CONTRACT NO.		25
	83782		
CROSS SECTION STA. 345+50 TO STA. 346+30			
F.H.W.A. REG.5 ILLINOIS PROJECT F-0336(00)			



Cut = 345.0 (SF)
Fill = 0.0 (SF)



Cut = 348.6 (SF)
Fill = 0.0 (SF)

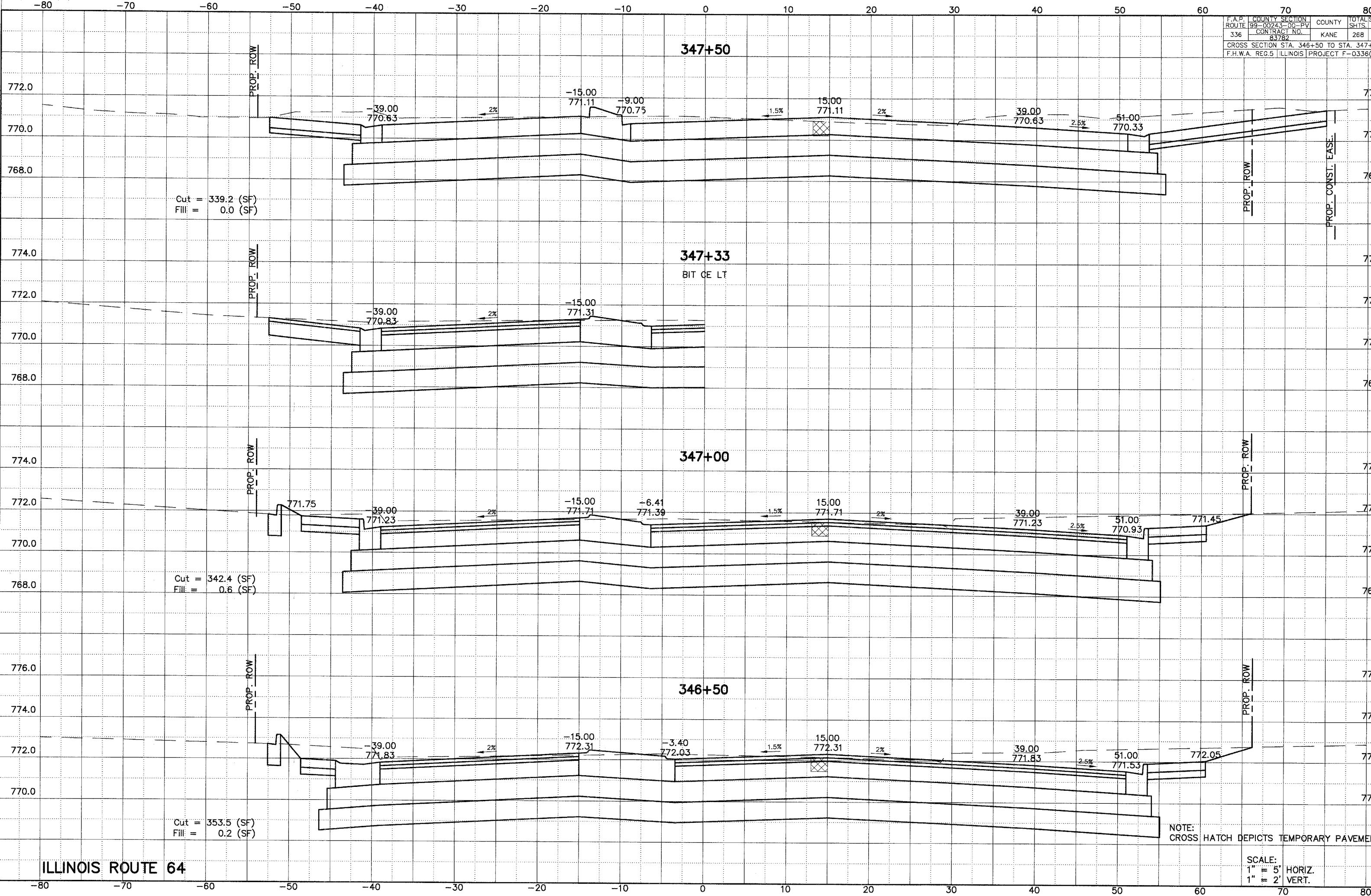
NOTE: CROSS HATCH DEPICTS TEMPORARY PAVEMENT.

ILLINOIS ROUTE 64

SCALE:
1" = 5' HORIZ.
1" = 2' VERT.

-80 -70 -60 -50 -40 -30 -20 -10 0 10 20 30 40 50 60 70 80

F.A.P. ROUTE	COUNTY SECTION	TOTAL SHEETS
99-00243-00-PV	KANE	268
336	CONTRACT NO. 83782	2
CROSS SECTION STA. 346+50 TO STA. 347+50		
F.H.W.A. REG. 5 ILLINOIS PROJECT F-0336(00)		

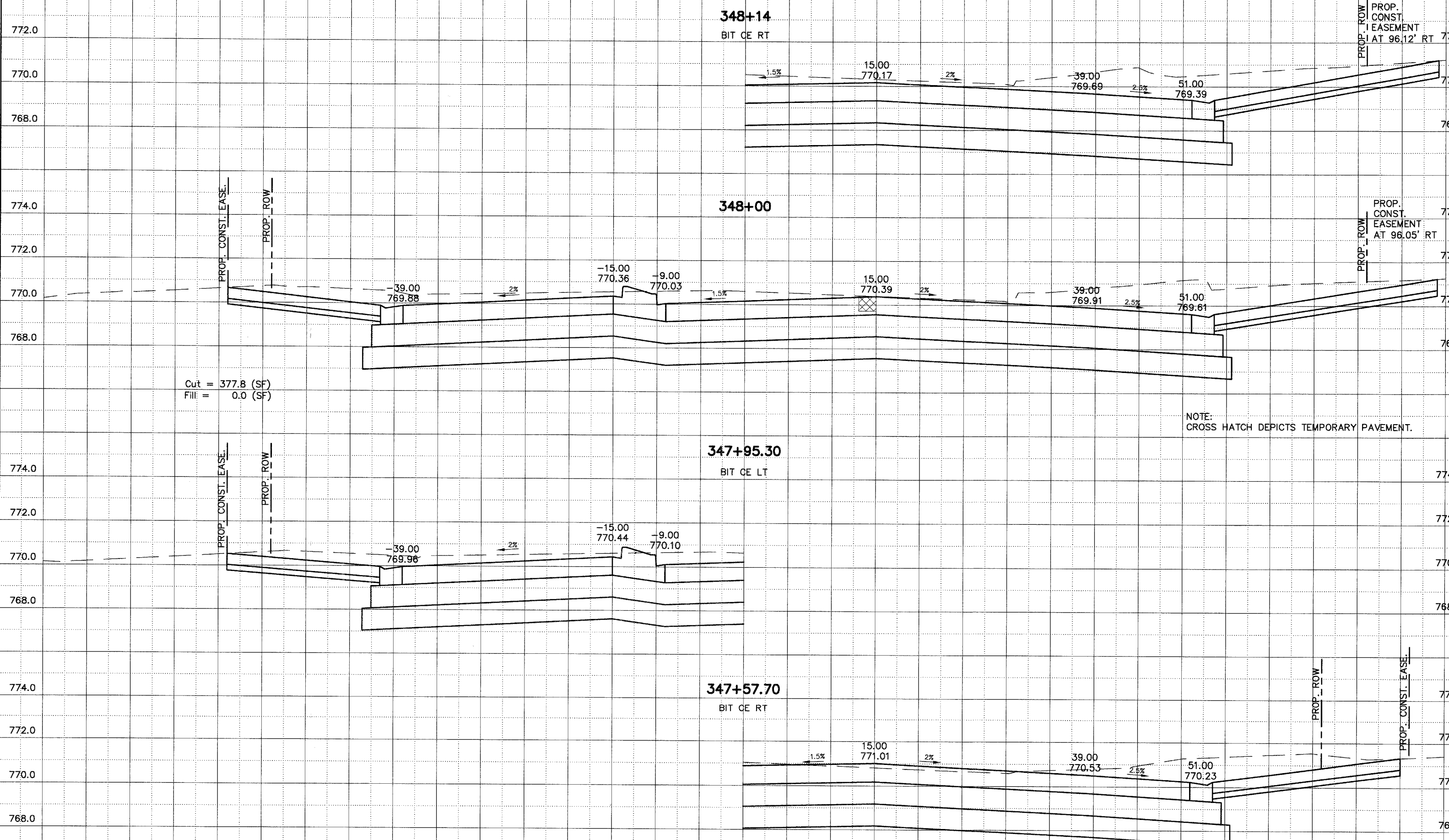


ILLINOIS ROUTE 64

SCALE:
 1" = 5' HORIZ.
 1" = 2' VERT.

-80 -70 -60 -50 -40 -30 -20 -10 0 10 20 30 40 50 60 70 80

F.A.P. COUNTY SECTION	TOTAL SH
ROUTE 99-00243-00-PV	SHTS. N
336 CONTRACT NO.	KANE 268 2
83782	
CROSS SECTION STA. 347+57.7 TO STA. 348+	
F.H.W.A. REG.5 ILLINOIS PROJECT F-033600	



Cut = 377.8 (SF)
 Fill = 0.0 (SF)

NOTE:
 CROSS HATCH DEPICTS TEMPORARY PAVEMENT.

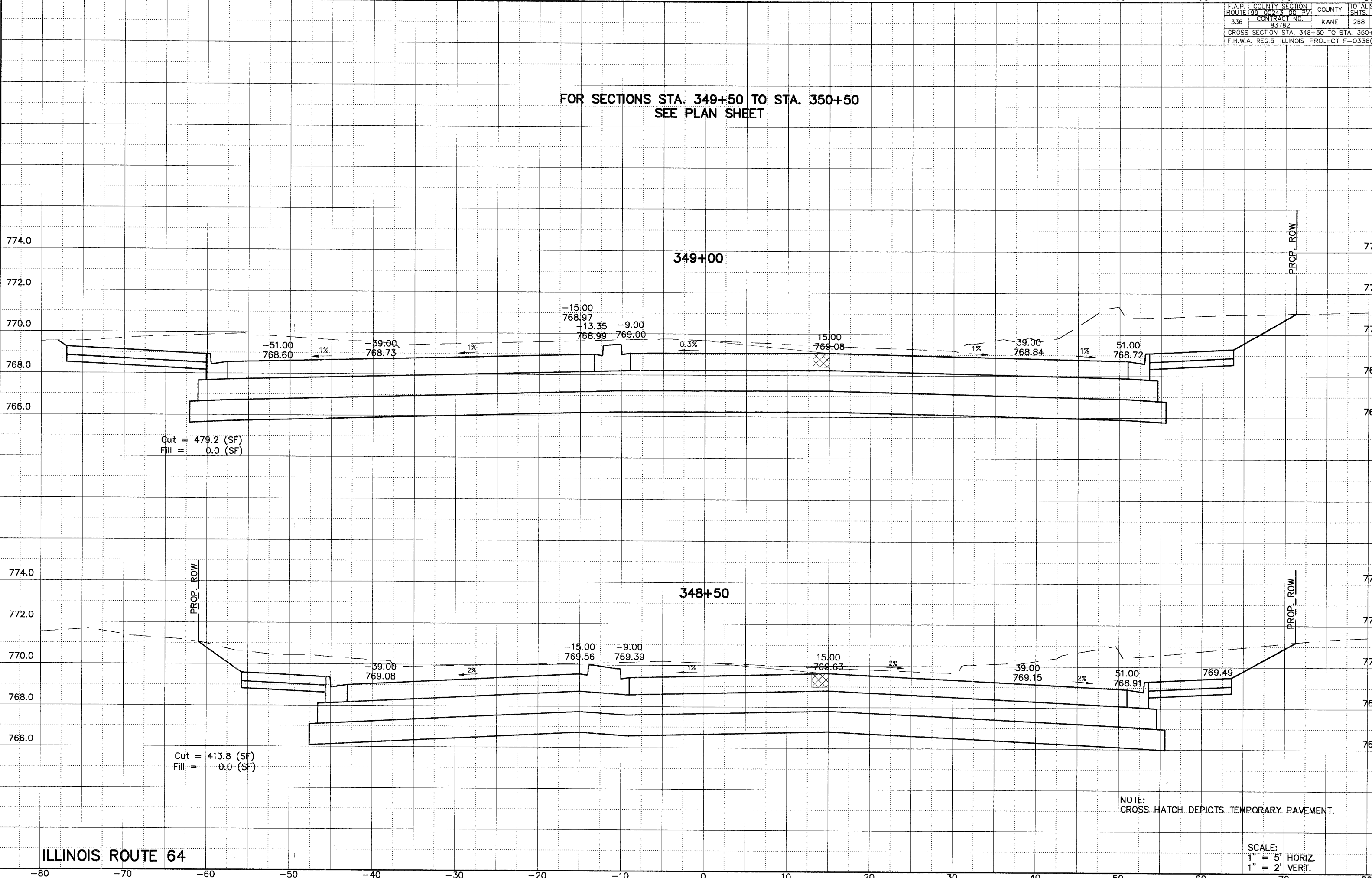
ILLINOIS ROUTE 64

SCALE:
 1" = 5' HORIZ.
 1" = 2' VERT.

-80 -70 -60 -50 -40 -30 -20 -10 0 10 20 30 40 50 60 70 80

FOR SECTIONS STA. 349+50 TO STA. 350+50
SEE PLAN SHEET

F.A.P. ROUTE	COUNTY SECTION	COUNTY	TOTAL SHEETS
336	99-00243-00-PV	KANE	268
	CONTRACT NO.		
	83782		
CROSS SECTION STA. 348+50 TO STA. 350+50			
F.H.W.A. REG.5 ILLINOIS PROJECT F-033600			



Cut = 479.2 (SF)
Fill = 0.0 (SF)

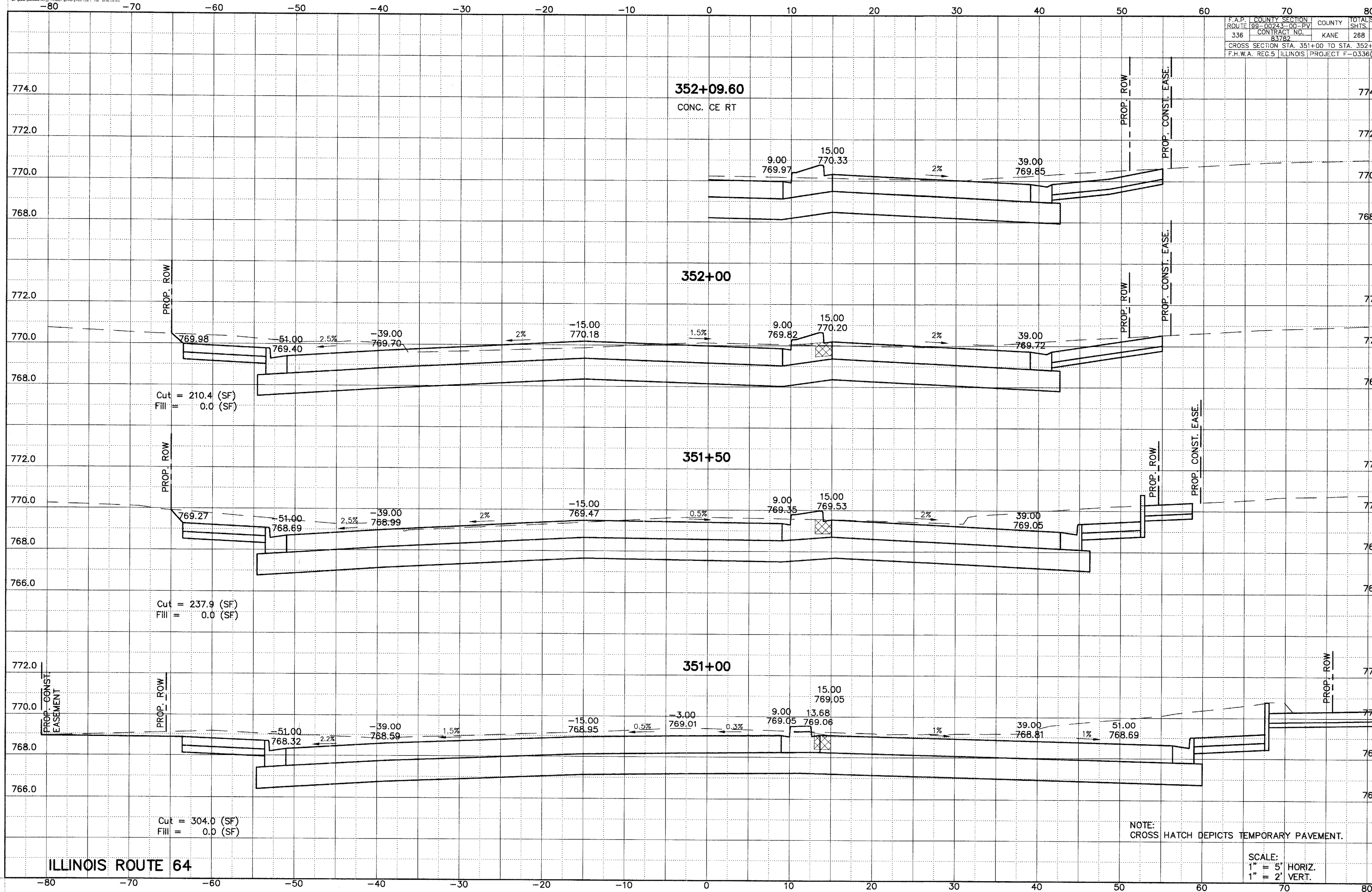
Cut = 413.8 (SF)
Fill = 0.0 (SF)

NOTE:
CROSS-HATCH DEPICTS TEMPORARY PAVEMENT.

ILLINOIS ROUTE 64

SCALE:
1" = 5' HORIZ.
1" = 2' VERT.

F.A.P. COUNTY SECTION	TOTAL SHEETS
ROUTE 99-00243-00-PV	288
CONTRACT NO. 336	28
83782	2
CROSS SECTION STA. 351+00 TO STA. 352+00	
F.H.W.A. REG.5 ILLINOIS PROJECT F-0336(00)	

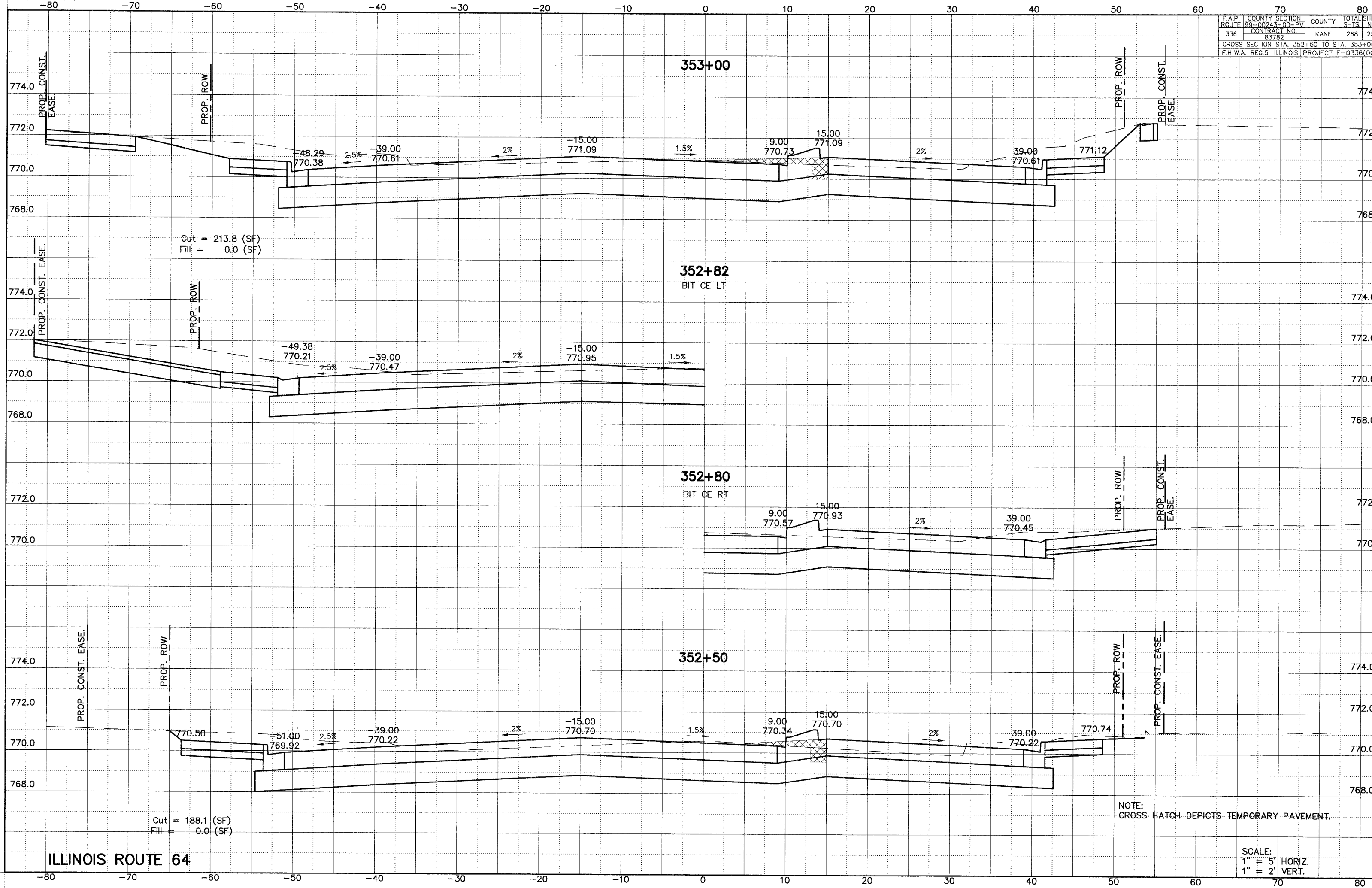


ILLINOIS ROUTE 64

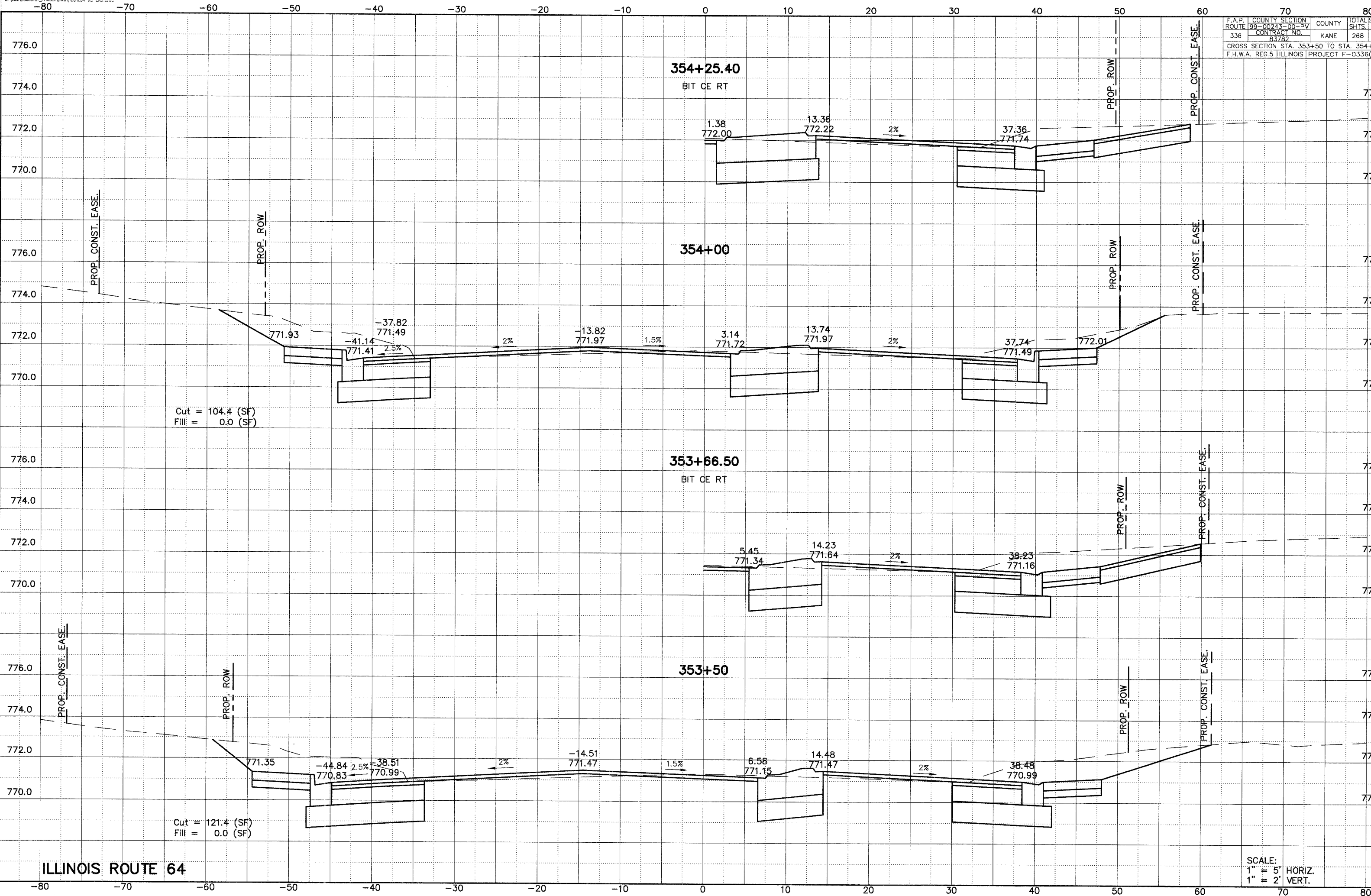
NOTE: CROSS HATCH DEPICTS TEMPORARY PAVEMENT.

SCALE:
1" = 5' HORIZ.
1" = 2' VERT.

F.A.P.	COUNTY	SECTION	COUNTY	TOTAL SH.
ROUTE 99-00243-00-PV	336	CONTRACT NO. 83782	KANE	268 2
CROSS SECTION STA. 352+50 TO STA. 353+00			F.H.W.A. REG.5 ILLINOIS PROJECT F-0336/00	



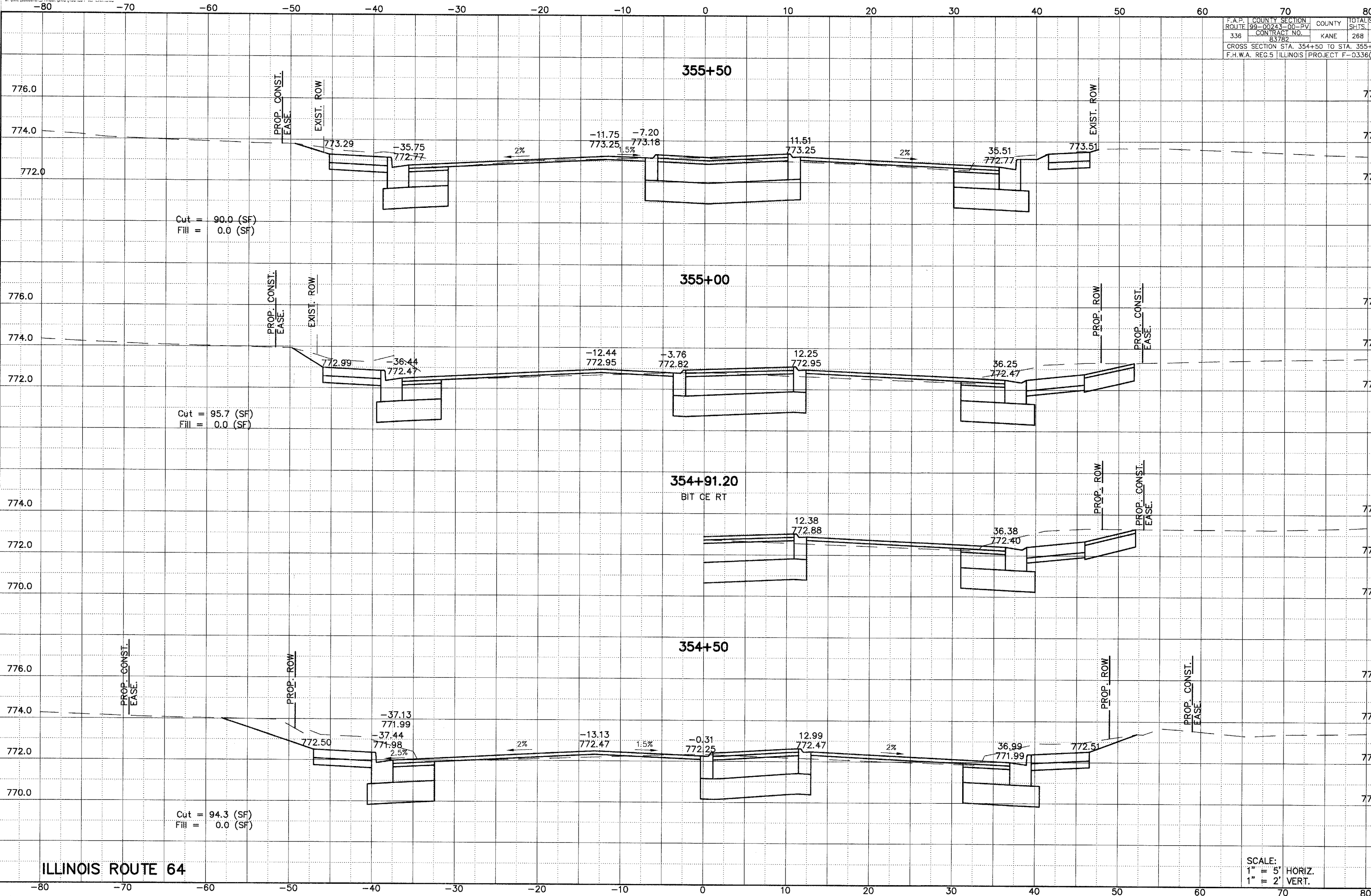
F.A.P. COUNTY SECTION	70	TOTAL SH	80
ROUTE 99-00243-00-PV	KANE	SHTS. N	288
336	CONTRACT NO. 83782	288	288
CROSS SECTION STA. 353+50 TO STA. 354+25			
F.H.W.A. REG.5 ILLINOIS PROJECT F-0336(00			



ILLINOIS ROUTE 64

SCALE:
1" = 5' HORIZ.
1" = 2' VERT.

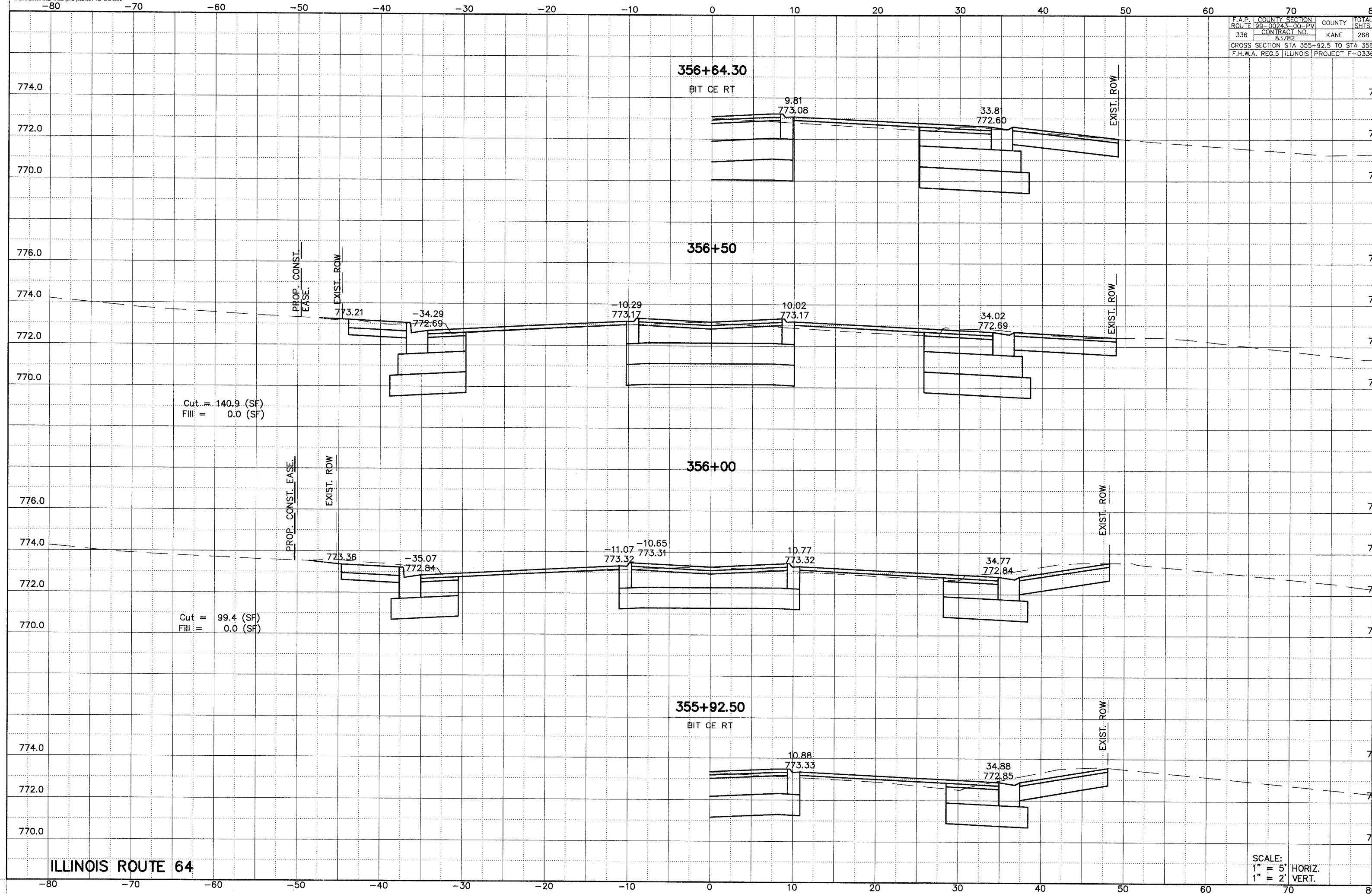
F.A.P. COUNTY SECTION	99-00243-00-PV	KANE	268	2
ROUTE	CONTRACT NO.			
336	83782			
CROSS SECTION STA. 354+50 TO STA. 355+50				
F.H.W.A. REG.5 ILLINOIS PROJECT F-0336(00				



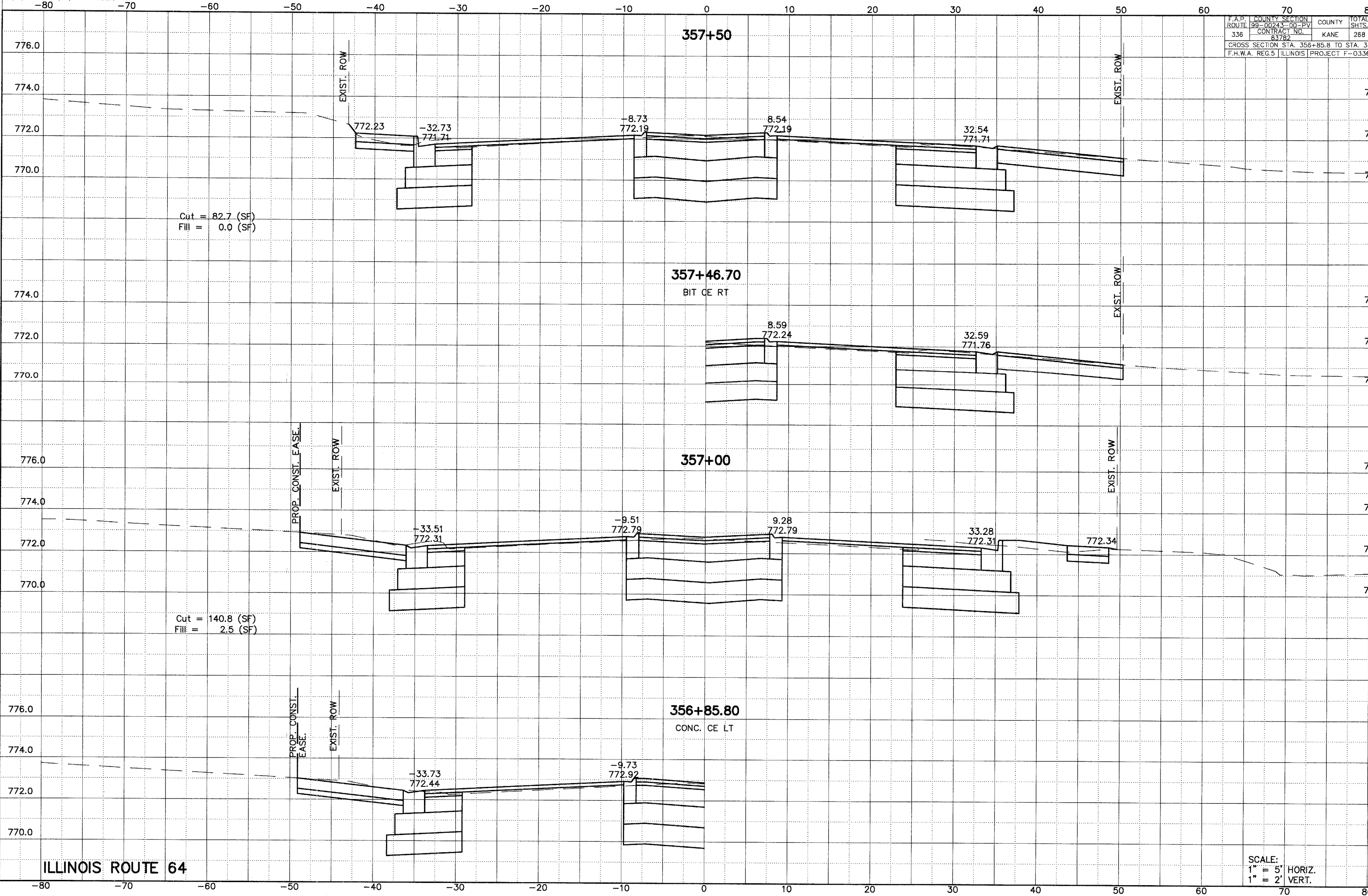
ILLINOIS ROUTE 64

SCALE:
1" = 5' HORIZ.
1" = 2' VERT.

F.A.P.	COUNTY SECTION	COUNTY	TOTAL
ROUTE	99-00243-00-PV	KANE	SHTS.
336	CONTRACT NO.		268
	83782		
CROSS SECTION STA 355+92.5 TO STA 356+64.3			
F.H.W.A. REG.5 ILLINOIS PROJECT F-0336			



F.A.P.	COUNTY	SECTION	COUNTY	TOTAL
ROUTE 99-00243-00-PV	336	CONTRACT NO. 83782	KANE	268
CROSS SECTION STA. 356+85.8 TO STA. 357+85.8				
F.H.W.A. REG.5 ILLINOIS PROJECT F-0336				



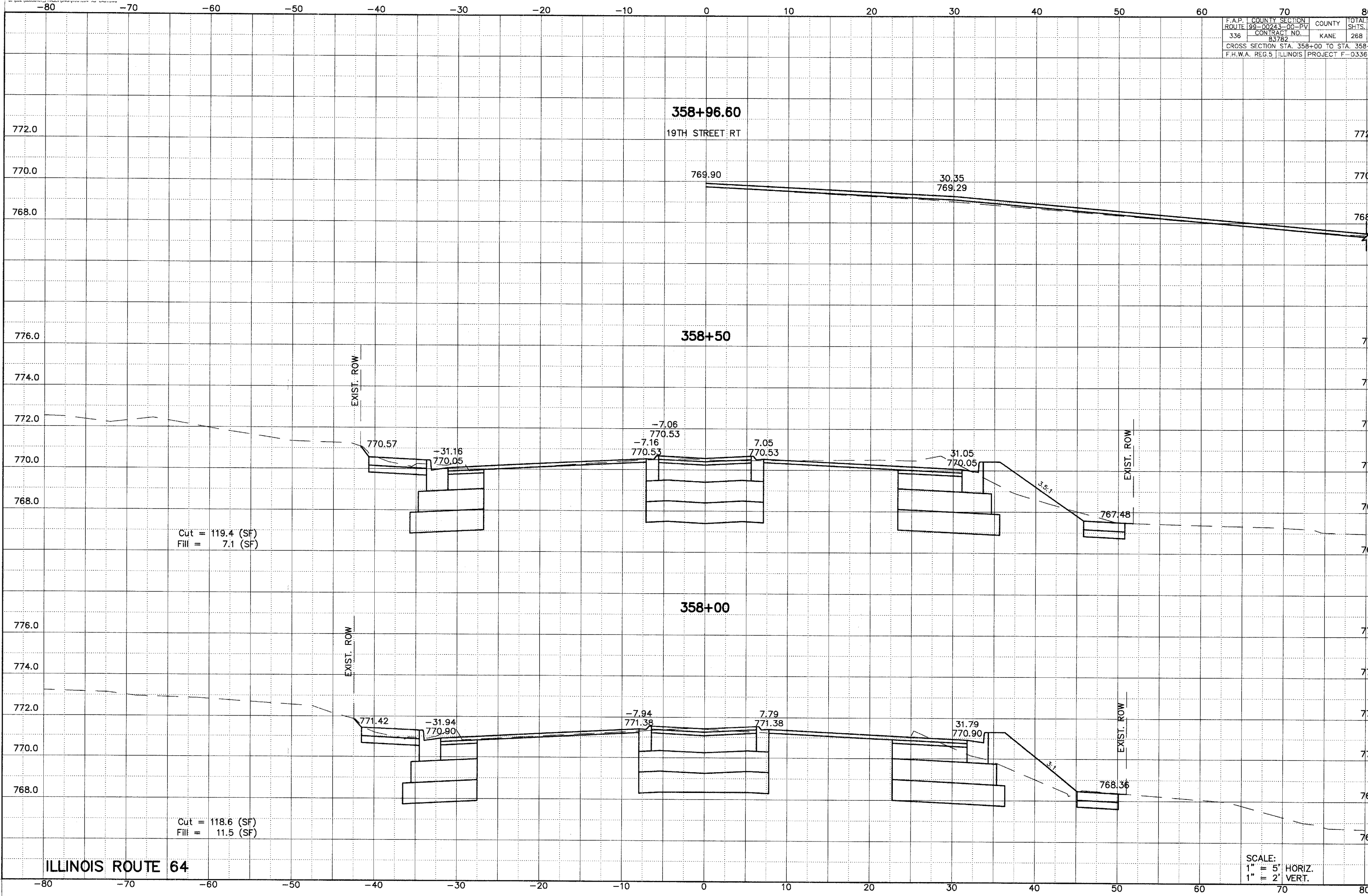
Cut = 82.7 (SF)
Fill = 0.0 (SF)

Cut = 140.8 (SF)
Fill = 2.5 (SF)

ILLINOIS ROUTE 64

SCALE:
1" = 5' HORIZ.
1" = 2' VERT.

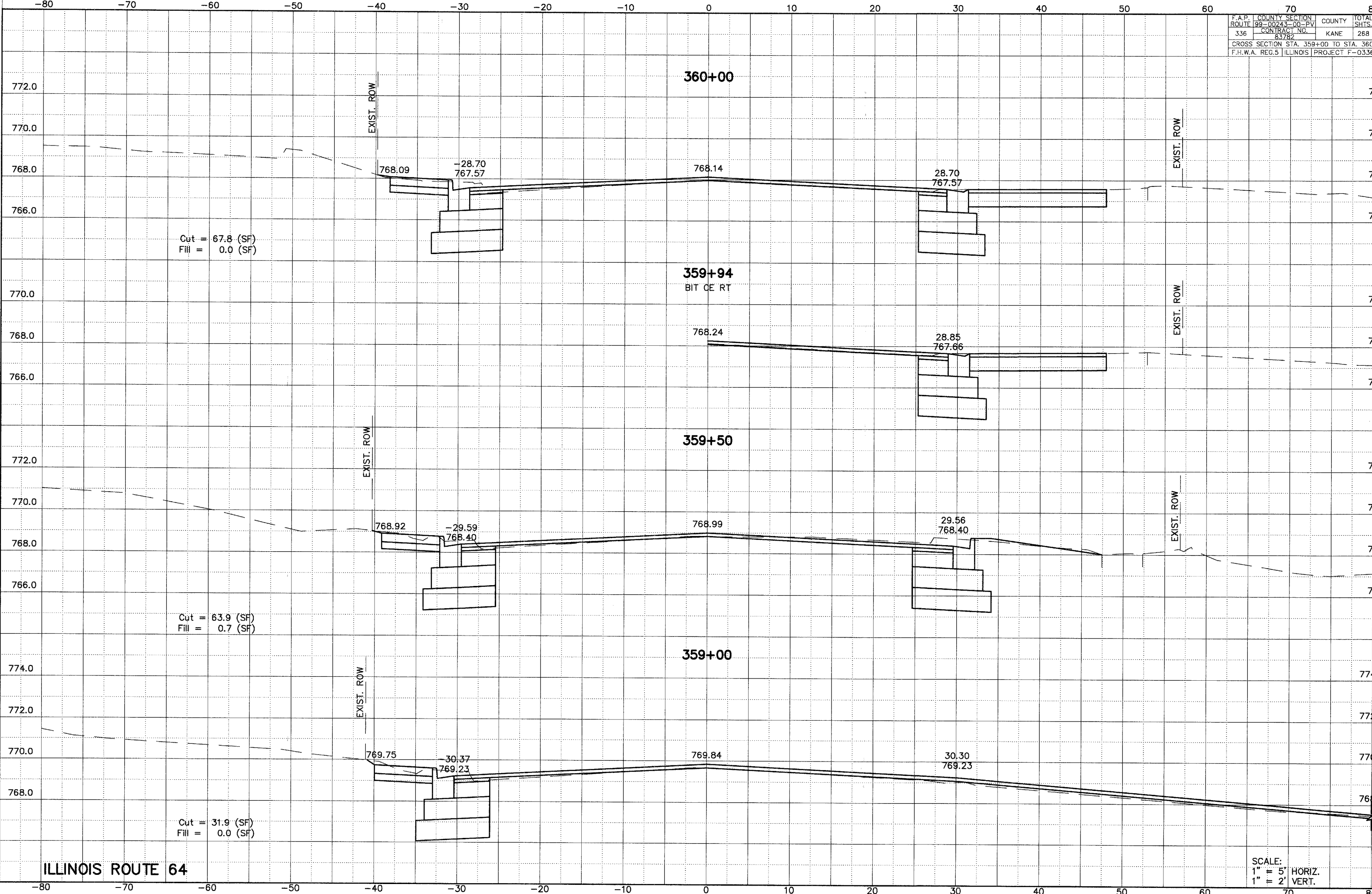
F.A.P. ROUTE	COUNTY SECTION	COUNTY	TOTAL SHTS.
336	99-00243-00-PV	KANE	268
CONTRACT NO.		PROJECT F-0336	
83782		ILLINOIS	
CROSS SECTION STA. 358+00 TO STA. 358+96.60			



ILLINOIS ROUTE 64

SCALE:
1" = 5' HORIZ.
1" = 2' VERT.

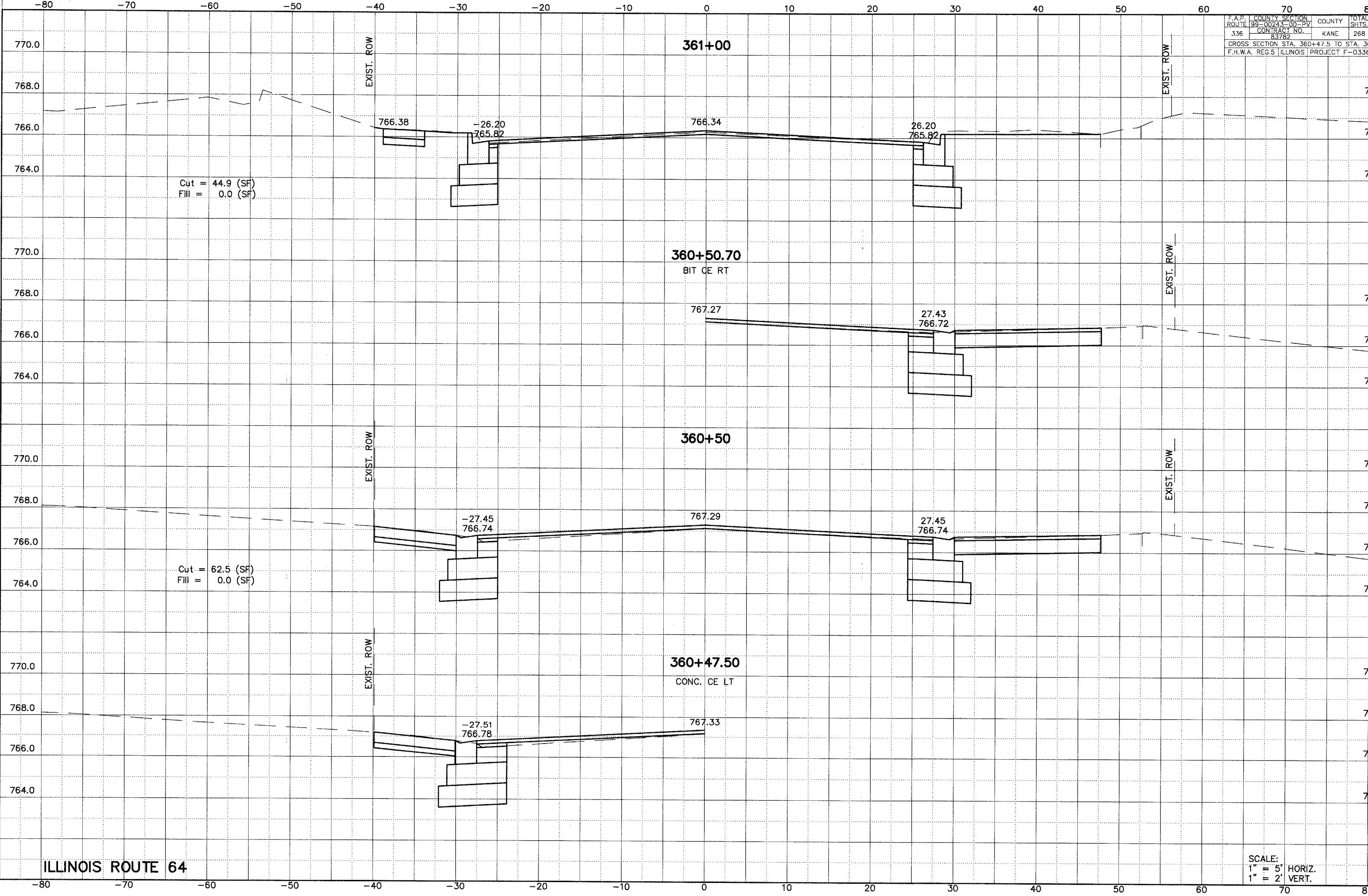
F.A.P.	COUNTY SECTION	COUNTY	TOTAL
ROUTE 336	99-00243-00-PV	KANE	SHTS. 288
	CONTRACT NO.		
	83782		
CROSS SECTION STA. 359+00 TO STA. 360+00			
F.H.W.A. REG. 5 ILLINOIS PROJECT F-0336			



ILLINOIS ROUTE 64

SCALE:
1" = 5' HORIZ.
1" = 2' VERT.

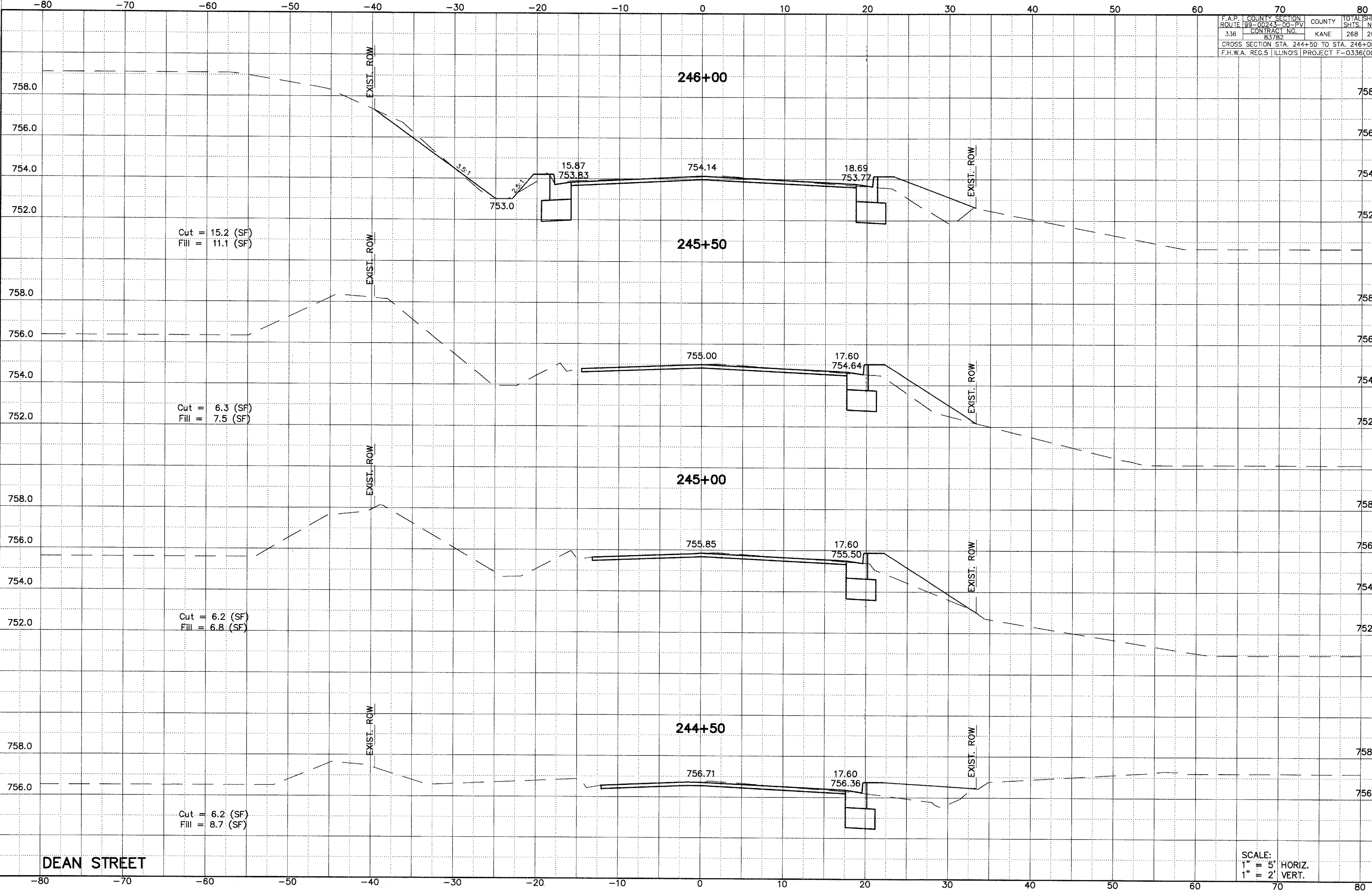
F.A.P.	COUNTY	SECTION	COUNTY	TOTAL
ROUTE	99-00243	00-PV	KANE	SHTS.
336	CONTRACT NO.	83782		268
CROSS SECTION STA. 360+47.5 TO STA. 361+00				
F.H.W.A. REG. 5 ILLINOIS PROJECT F-0336				



ILLINOIS ROUTE 64

SCALE:
1" = 5' HORIZ.
1" = 2' VERT.

F.A.P.	COUNTY	SECTION	TOTAL SH
ROUTE 99-00243-00-PV	KANE	268	21
336	CONTRACT NO.	83782	
CROSS SECTION STA. 244+50 TO STA. 246+00			
F.H.W.A. REG.5 ILLINOIS PROJECT F-0336/00			

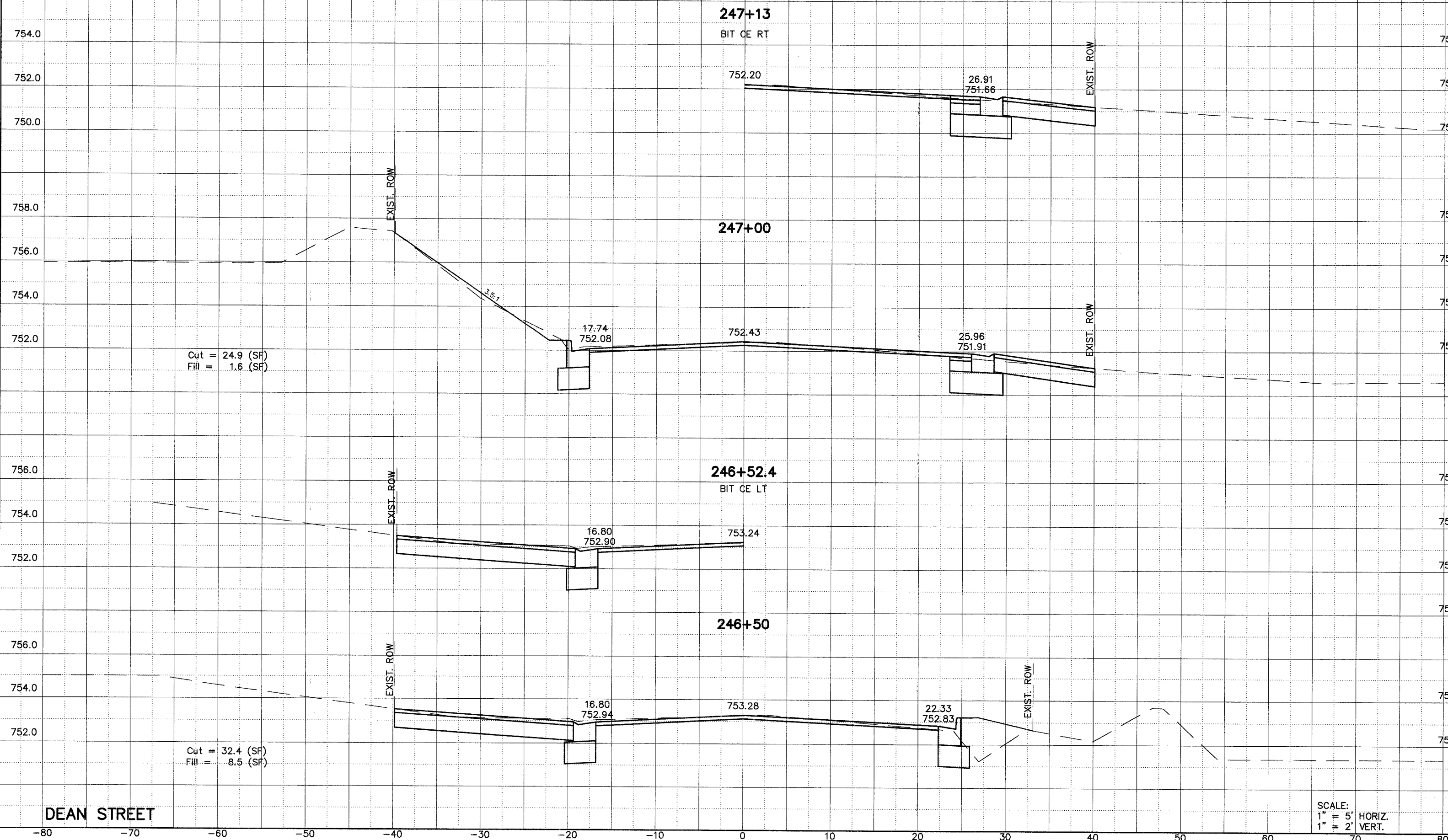


DEAN STREET

SCALE:
1" = 5' HORIZ.
1" = 2' VERT.

-80 -70 -60 -50 -40 -30 -20 -10 0 10 20 30 40 50 60 70 80

F.A.P. ROUTE	COUNTY	SECTION	COUNTY	TOTAL SHEETS
336	KANE	99-00243-00-PV	268	20
CONTRACT NO.		PROJECT F-0336(00)		
83782		CROSS SECTION STA. 246+50 TO STA. 247+13		



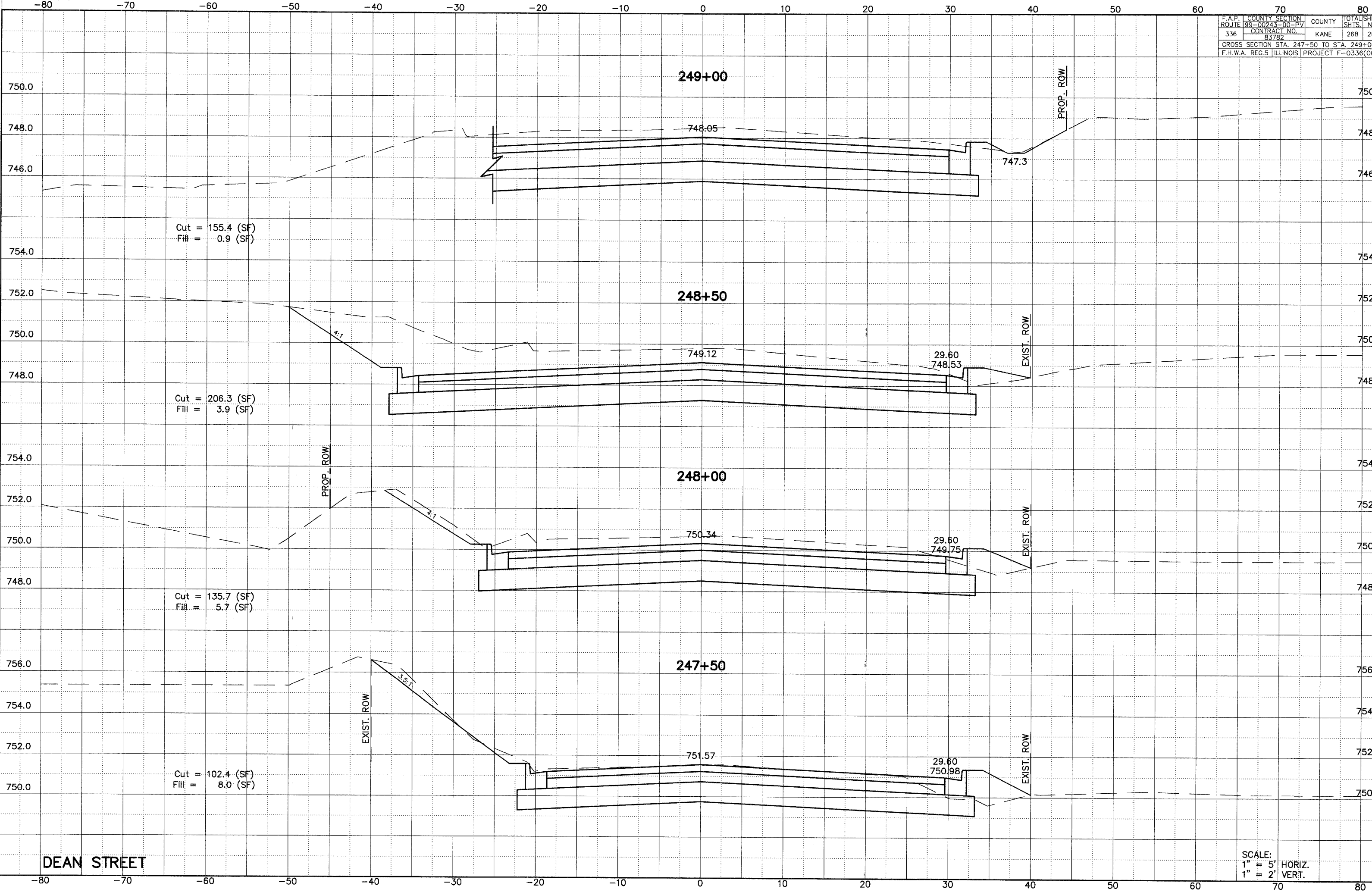
Cut = 24.9 (SF)
Fill = 1.6 (SF)

Cut = 32.4 (SF)
Fill = 8.5 (SF)

DEAN STREET

SCALE:
1" = 5' HORIZ.
1" = 2' VERT.

F.A.P.	COUNTY SECTION	COUNTY	TOTAL SH
ROUTE 99-00243-00-PV		KANE	268 2
336	CONTRACT NO.		
	83782		
CROSS SECTION STA. 247+50 TO STA. 249+00			
F.H.W.A. REG.5 ILLINOIS PROJECT F-0336(00			

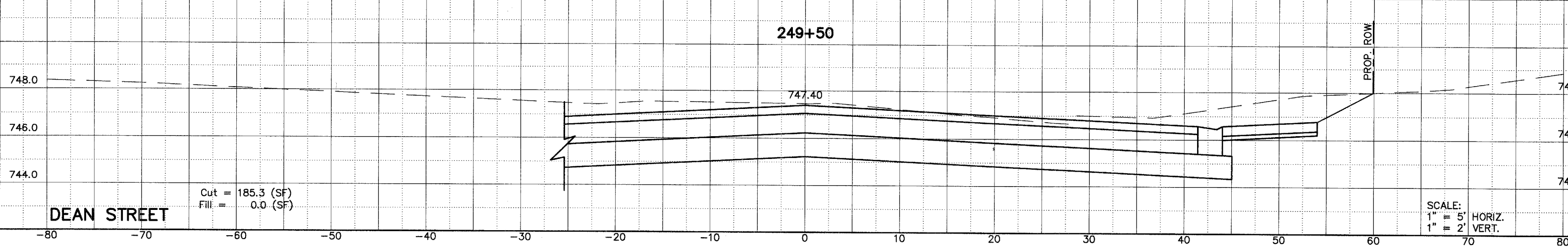
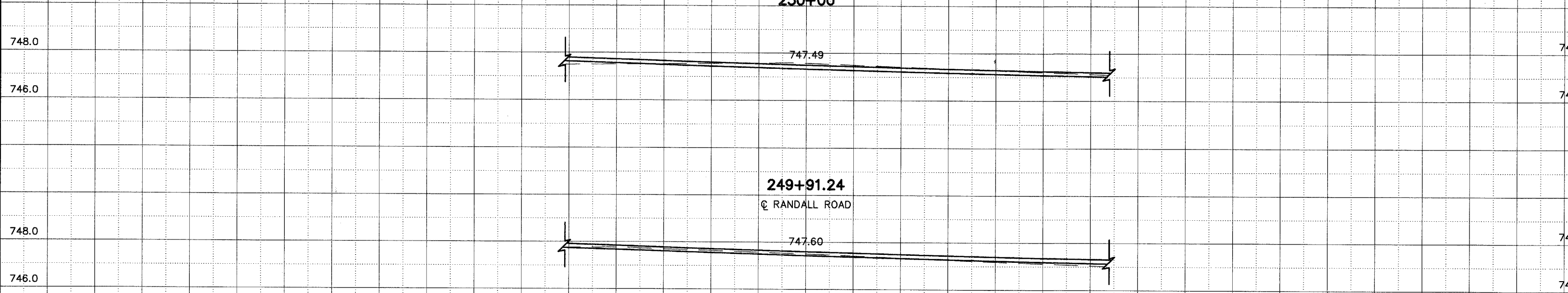
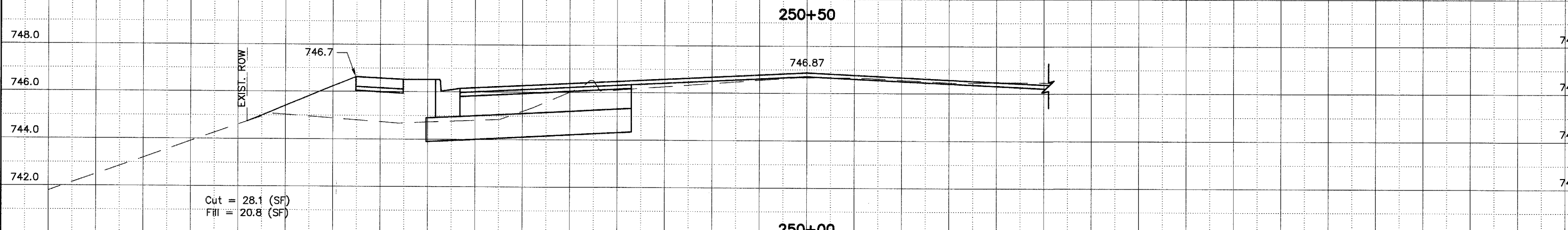
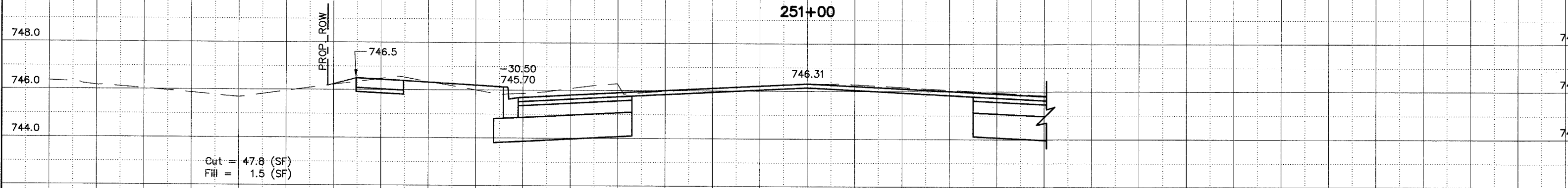


DEAN STREET

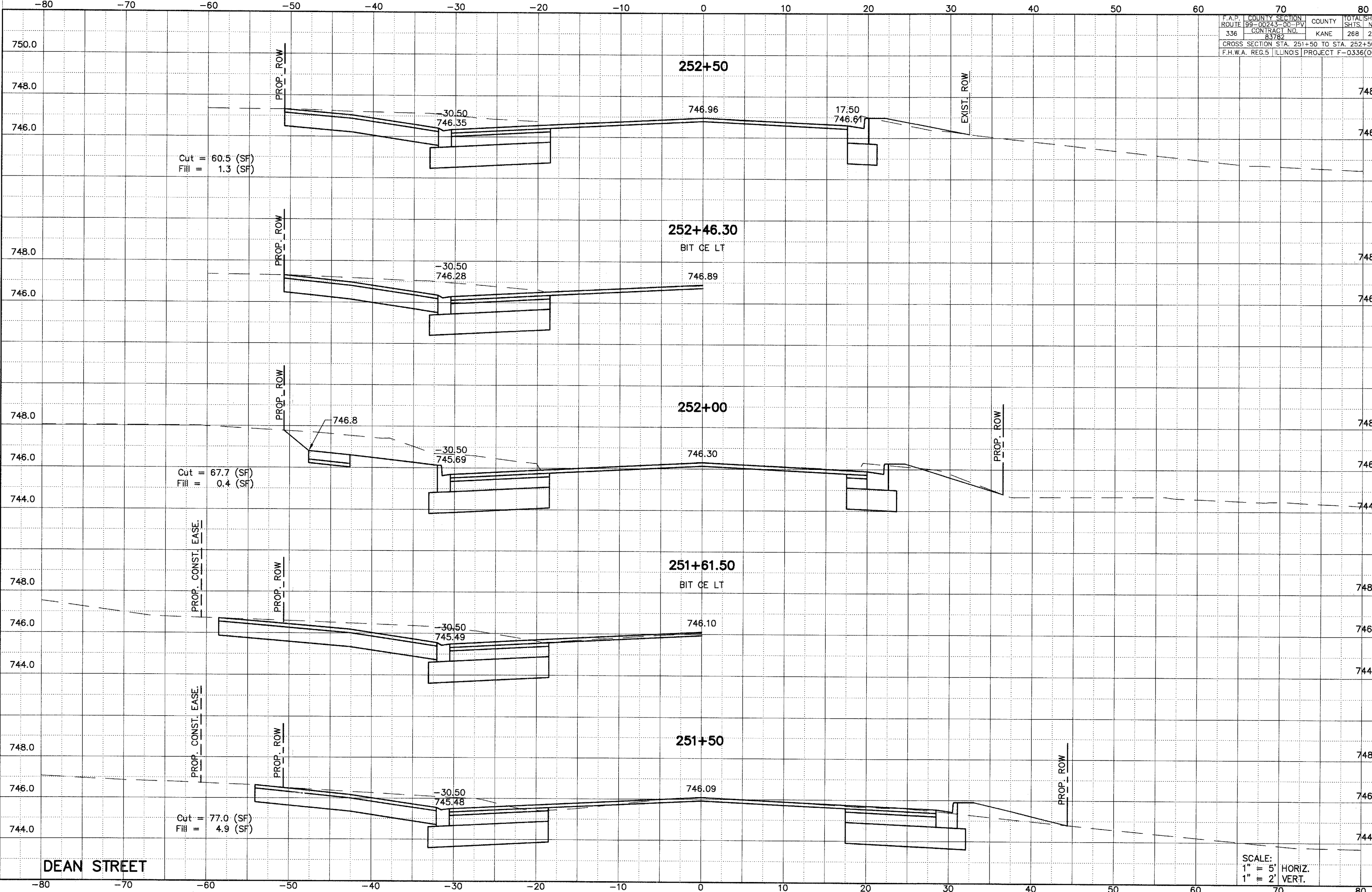
SCALE:
 1" = 5' HORIZ.
 1" = 2' VERT.

-80 -70 -60 -50 -40 -30 -20 -10 0 10 20 30 40 50 60 70 80

F.A.P. COUNTY SECTION	70	TOTAL SHEETS	2
ROUTE 99-00243-00-PV	KANE	268	2
CONTRACT NO. 83782			
CROSS SECTION STA. 249+50 TO STA. 251+00			
F.H.W.A. REG.5 ILLINOIS PROJECT F-0336(0)			



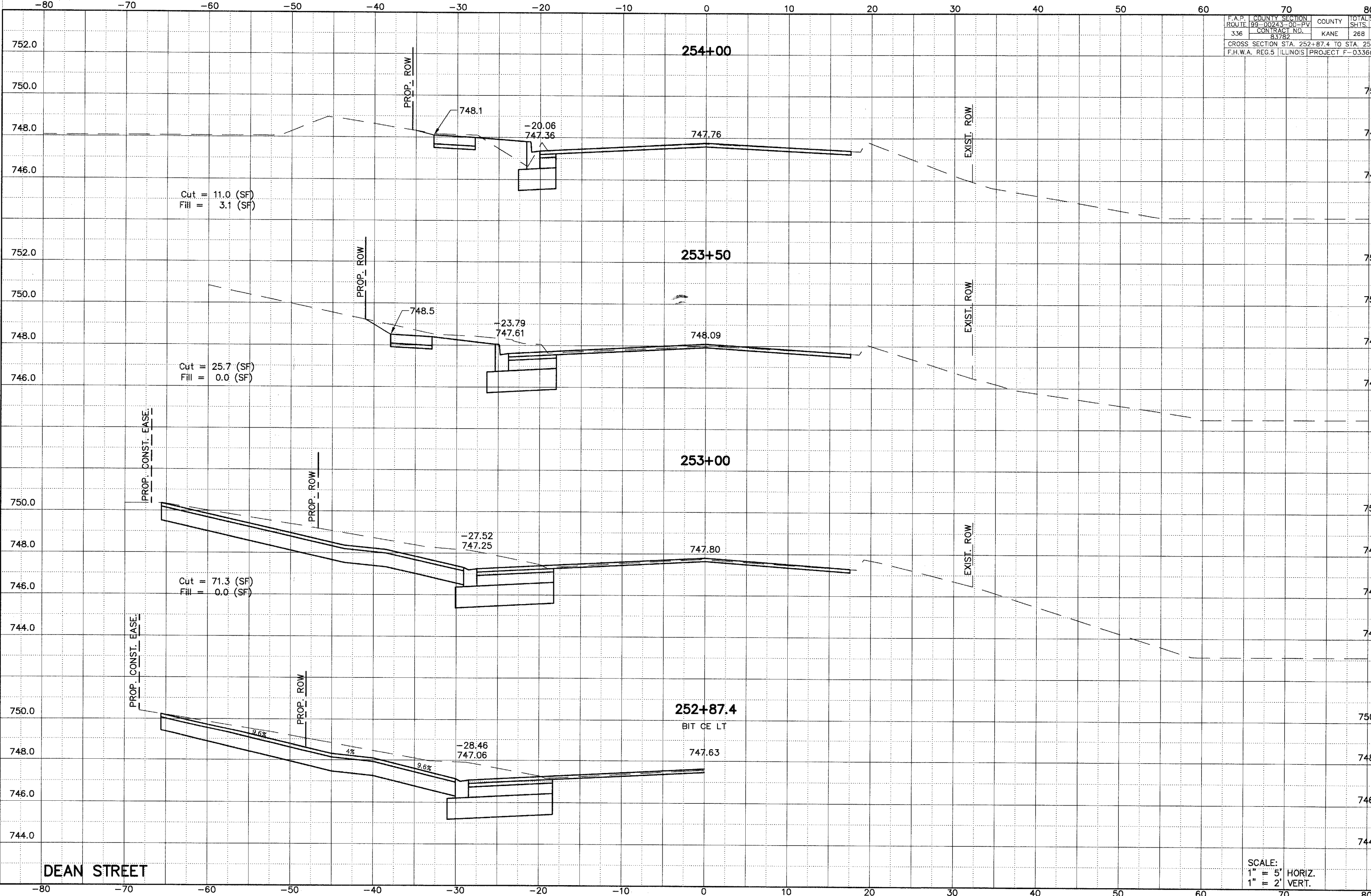
F.A.P.	COUNTY	SECTION	COUNTY	TOTAL SH
ROUTE 336	99-00243	00-PV	KANE	268
	CONTRACT NO.	83782		2
CROSS SECTION STA. 251+50 TO STA. 252+50				
F.H.W.A. REG.5 ILLINOIS PROJECT F-0336(0				



DEAN STREET

SCALE:
1" = 5' HORIZ.
1" = 2' VERT.

F.A.P. ROUTE	COUNTY SECTION	COUNTY	TOTAL SH.
336	99-00243-00-PV	KANE	268
	CONTRACT NO.		2
	83782		
CROSS SECTION STA. 252+87.4 TO STA. 254+00			
F.H.W.A. REG. 5 ILLINOIS PROJECT F-0336(0)			



DEAN STREET

SCALE:
1" = 5' HORIZ.
1" = 2' VERT.