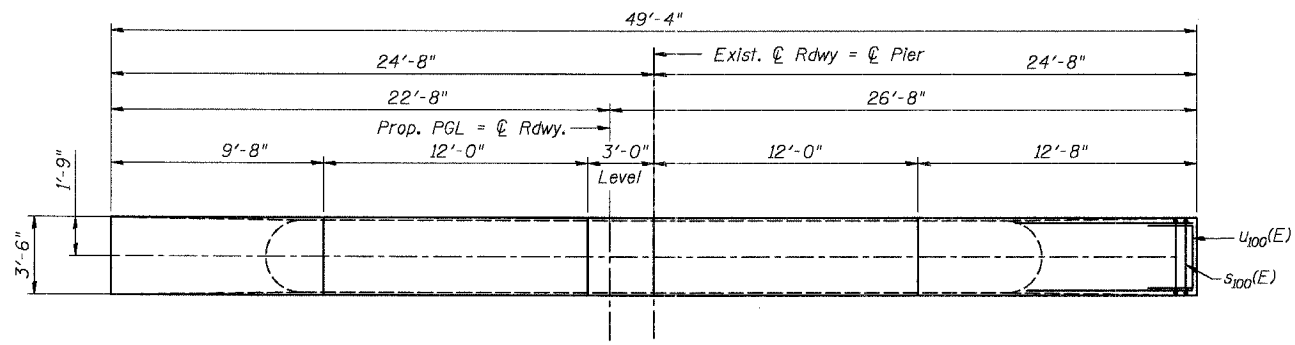


SECTION A-A
Not To Scale

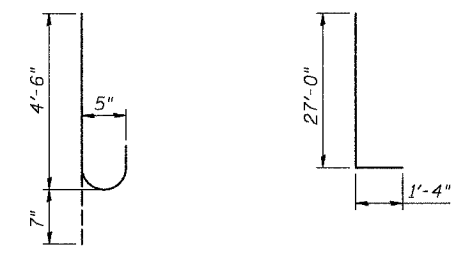


TOP VIEW
Not To Scale

A & B DIMENSIONS

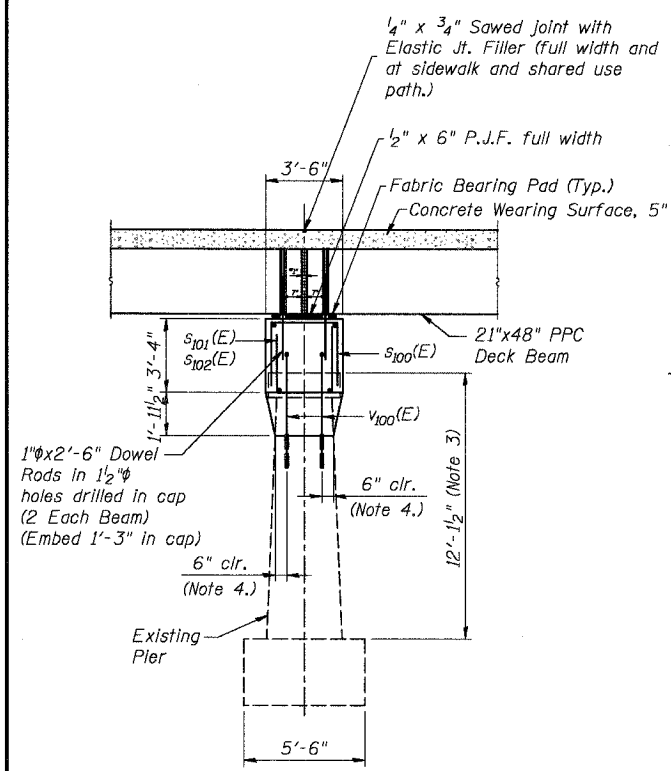
Bar	A	B
s100(E)	3'-2"	3'-2"
s101(E)	2'-7"	3'-2"
s102(E)	2'-7"	3'-8"
u100(E)	3'-0"	2'-2"

BAR s100(E), s101(E), u100(E)



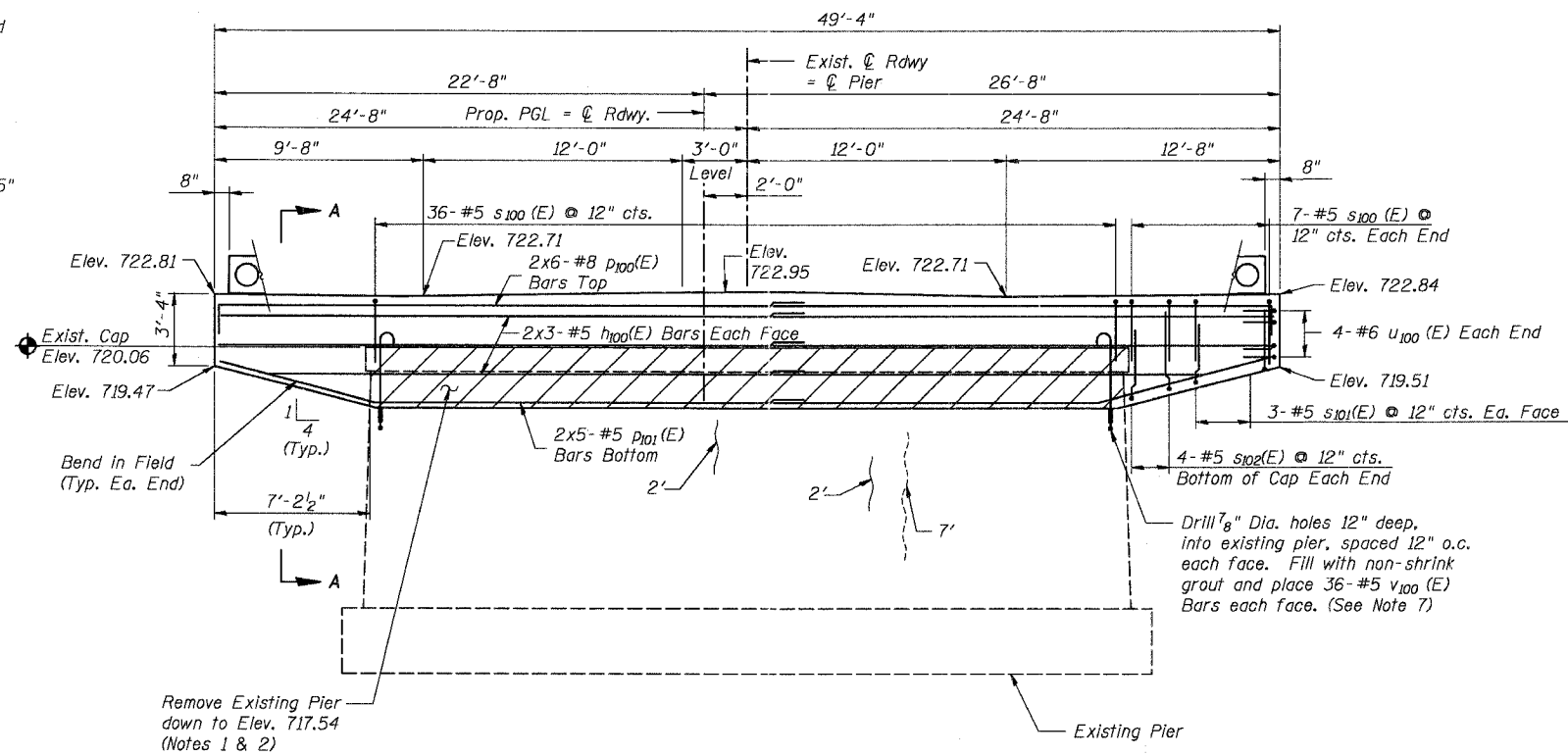
BAR v100(E)

BAR p100(E)



END VIEW
Not To Scale

* 1" Jt. shall be filled with non-shrink grout. 1" dimension may vary to accommodate tolerance in beam lengths.



PIER 2 ELEVATION
West Side Looking East
Not To Scale

BILL OF MATERIAL

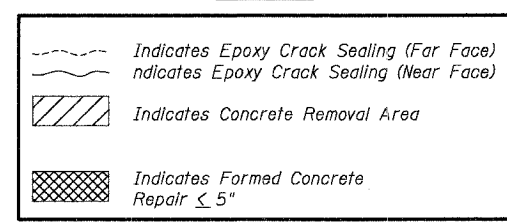
Bar	No.	Size	Length (FT)	Shape	
h100(E)	12	# 5	25'-7"		
p100(E)	12	# 8	29'-0"		
p100(E)	10	# 5	25'-7"		
s100(E)	50	# 5	9'-6"	□	
s101(E)	6	# 5	8'-11"	□	
s102(E)	8	# 5	9'-11"	□	
u100(E)	8	# 5	7'-4"	□	
v100(E)	72	#5	5'-1"	U	
Reinforcement Bars, Epoxy Coated				Pound	2,590
Concrete Removal				Cu. Yds.	9.7
Concrete Structures				Cu. Yds.	30.9
Epoxy Crack Sealing				Foot	11

Reinforcement Bars designated (E) shall be Epoxy Coated

GENERAL NOTES

1. Removal of existing concrete shall conform to Article 501.03 of the Standard Specifications.
2. Preserve and incorporate 1'-0" length of a minimum of 50% of existing vertical reinforcement in removal area.
3. Existing Pier Dimensions based on existing design drawings.
4. Maintain 2" clear distance between existing vertical reinforcement and proposed drilled holes for v100(E) bars.
5. Space reinforcement in cap to miss anchor bolts
6. Reinforcement Bar Bending dimensions are out to out.
7. Cost for Drilling and Grouting v100(E) Bars shall be included in Reinforcement Bars, Epoxy Coated.

LEGEND



DESIGNED	KMA
CHECKED	RGD
DRAWN	WJH
CHECKED	NRF



ILLINOIS DEPARTMENT OF TRANSPORTATION
 Pier 2 Details
 Main Street Over Fox River
 "Public Waters"
 Village of Carpentersville
 Section 02-00059-00-BR
 SN. 045-6150
 Kane County
 DATE 02-25-2005