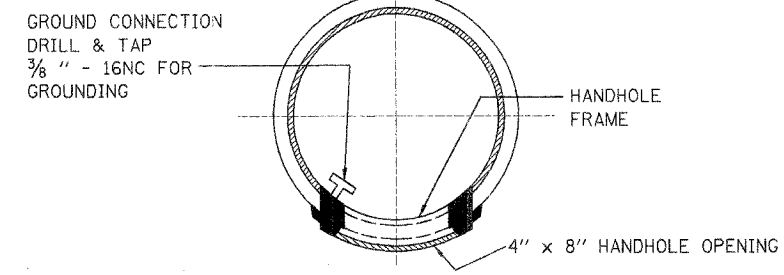


25 FT. M.H. LIGHT POLE

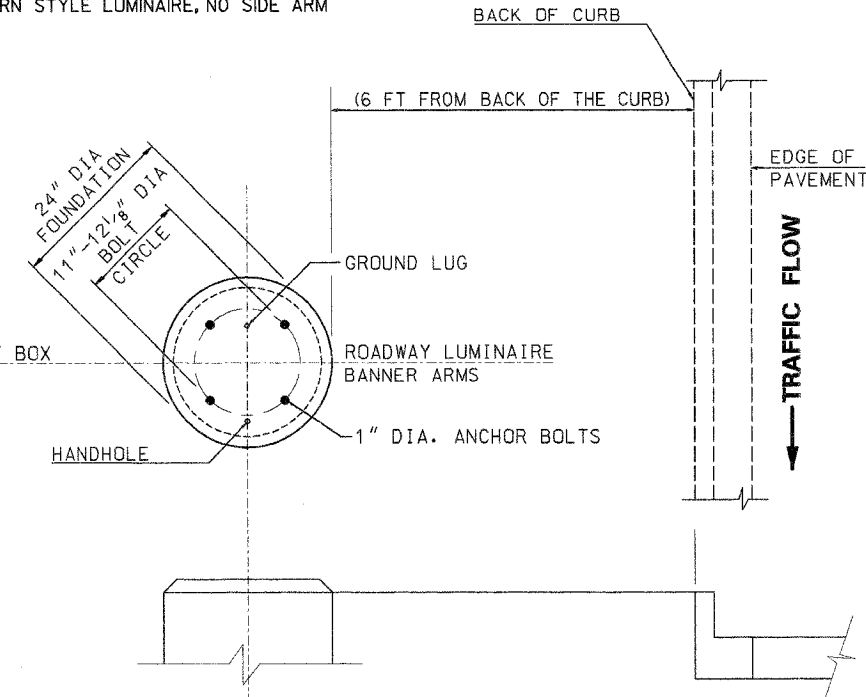
MOUNTING HEIGHT 25 FT

LUMINAIRE SODIUM VAPOR HORIZONTAL MOUNT 100 WATT
GE M-250A2 POWER/DOOR, PHOTOMETRIC #GE7285
LUMINAIRE - LUMEC OR APPROVED EQUAL

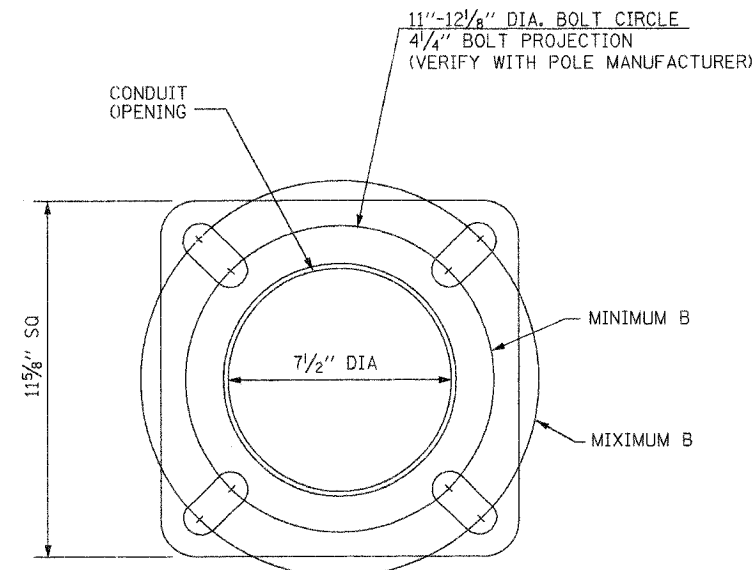
NOTE:
16' POLE HAS A TENON MOUNT HEXAGONAL LANTERN STYLE LUMINAIRE, NO SIDE ARM



SECTION THROUGH HANDHOLE



POSITION OF ANCHOR BOLTS AND POLE ATTACHMENT (TYP)



NOTES

1. THE POLE RECEPTACLE HOUSING, AND LUMINAIRE SHALL BE PAINTED IN POLEYSYTER POWDER COATED TEXTURED BLACK COLOR FINISH.
2. ANCHOR BOLT CIRCLE AND BOLT SLOTS IN POLE BASE PLATE, SHALL BE VARIFIED WITH POLE MANUFACTURED.
3. LUMINAIRES ARE TO BE INSTALLED AS SOON AS POSSIBLE AFTER POLE ERECTED PER MANUFACTURER RECOMMENDATIONS. THE POLE WILL NOT BE PAID FOR UNTIL THE LUMINAIRE IS INSTALLED.
4. THE LIGHT POLE SHALL MEET 80 MPH WIND SPEED AASHTO DESIGN CRITERIA. THE CONTRACTOR SHALL FURNISH WIND LOAD CALCULATIONS MEETING AASHTO DESIGN CRITERIA.
5. THE DUCT SHALL EXTEND INTO POLE A MINIMUM OF 304.8 mm (12") ABOVE THE BASE.

Sunjoy Inc.
Area Lighting
212 TIMBERCREST DRIVE
SCHAUMBURG, ILLINOIS
60193-1572

VILLAGE OF CARPENTERSVILLE
MAIN STREET OVER FOX RIVER

**LIGHT POLE ALUMINUM
25 FT MOUNTING HEIGHT**

SCALE: NTS
DATE: 02-05-05
DRAWN BY: HMO
CHECKED BY: JS

REVISION 02-26-05