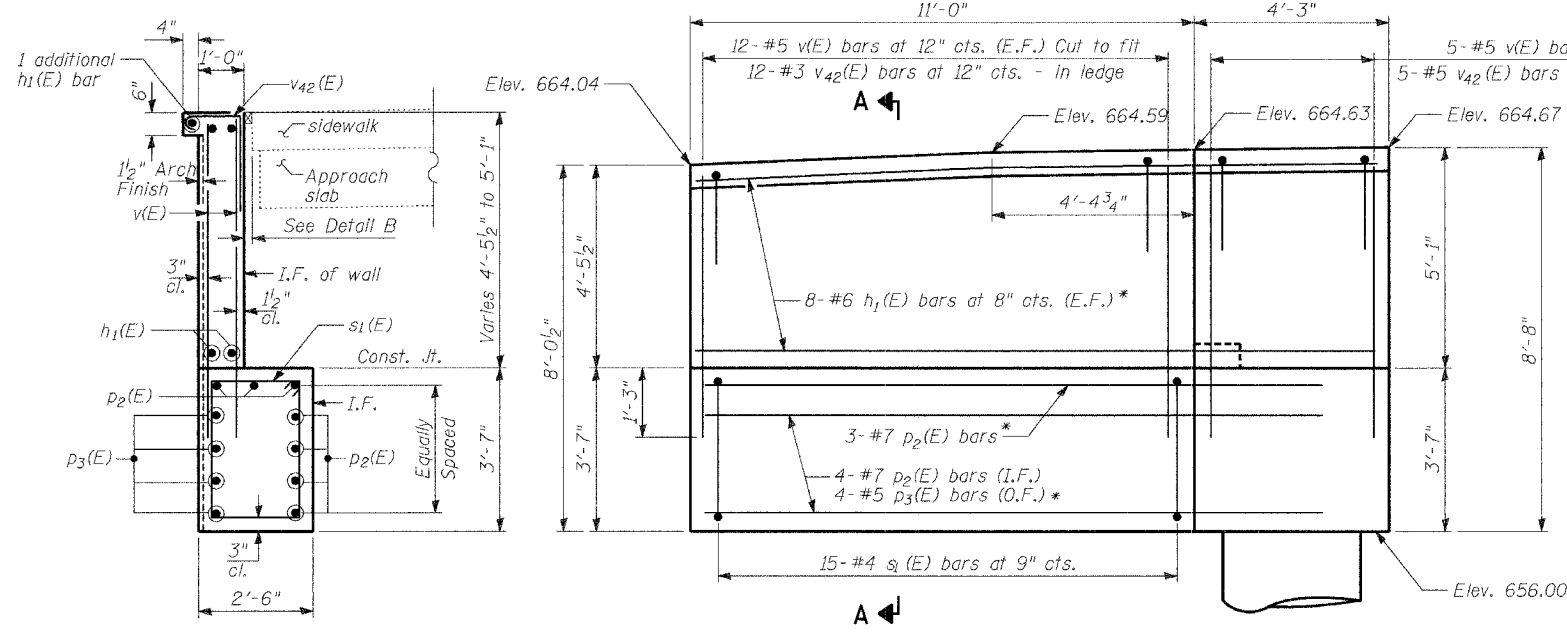


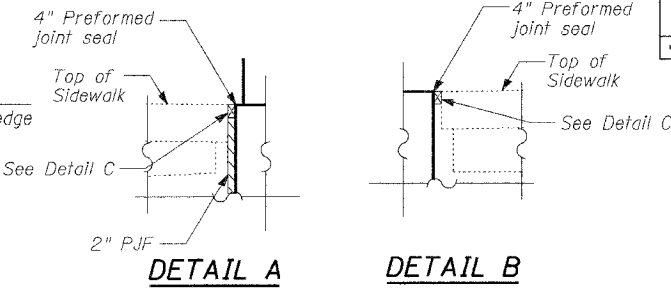
STATE OF ILLINOIS  
DEPARTMENT OF TRANSPORTATION

ROUTE NO.	SECTION	COUNTY	TOTAL SHEETS	SHEET NO.	SHEET NO. - 16
2758		LAKE	40	26	30 - SHEETS
FED. ROAD DIST. NO.	ILLINOIS	FED. AID PROJECT	CONTRACT 83790		
• 02-00025-00-BR					



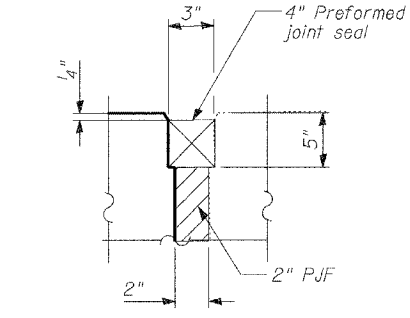
**EAST WING WALL ELEVATION**  
(Looking West)

\* Bend as needed in field

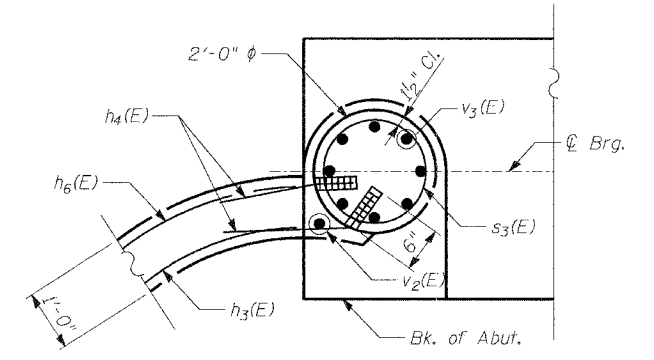


**DETAIL A**      **DETAIL B**

Note:  
4" Preformed joint seal shall be included in the cost of Concrete Structures, Special. Installation of the Preformed joint seal shall be in accordance with 503.10d of the Standard Specifications. Material shall be in accordance with Section 1053 of the Standard Specifications

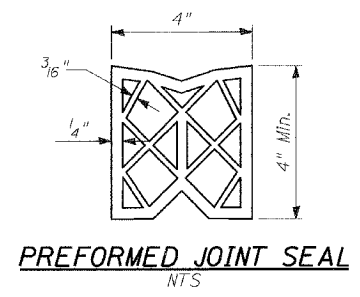


**DETAIL C**

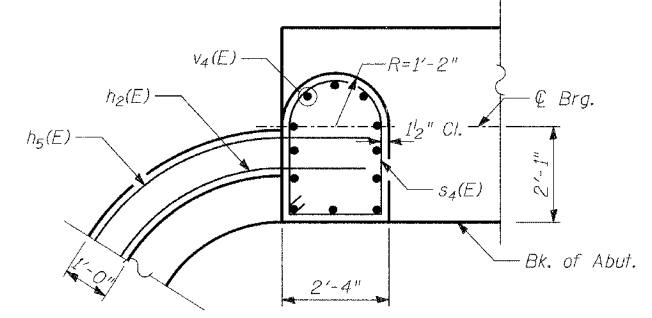


**SECTION C-C**

Note:  
Epoxy grout bars in 6 inch deep minimum drilled holes according to Section 584 of the Standard Specifications. Cost shall be included in Concrete Structures, Special.



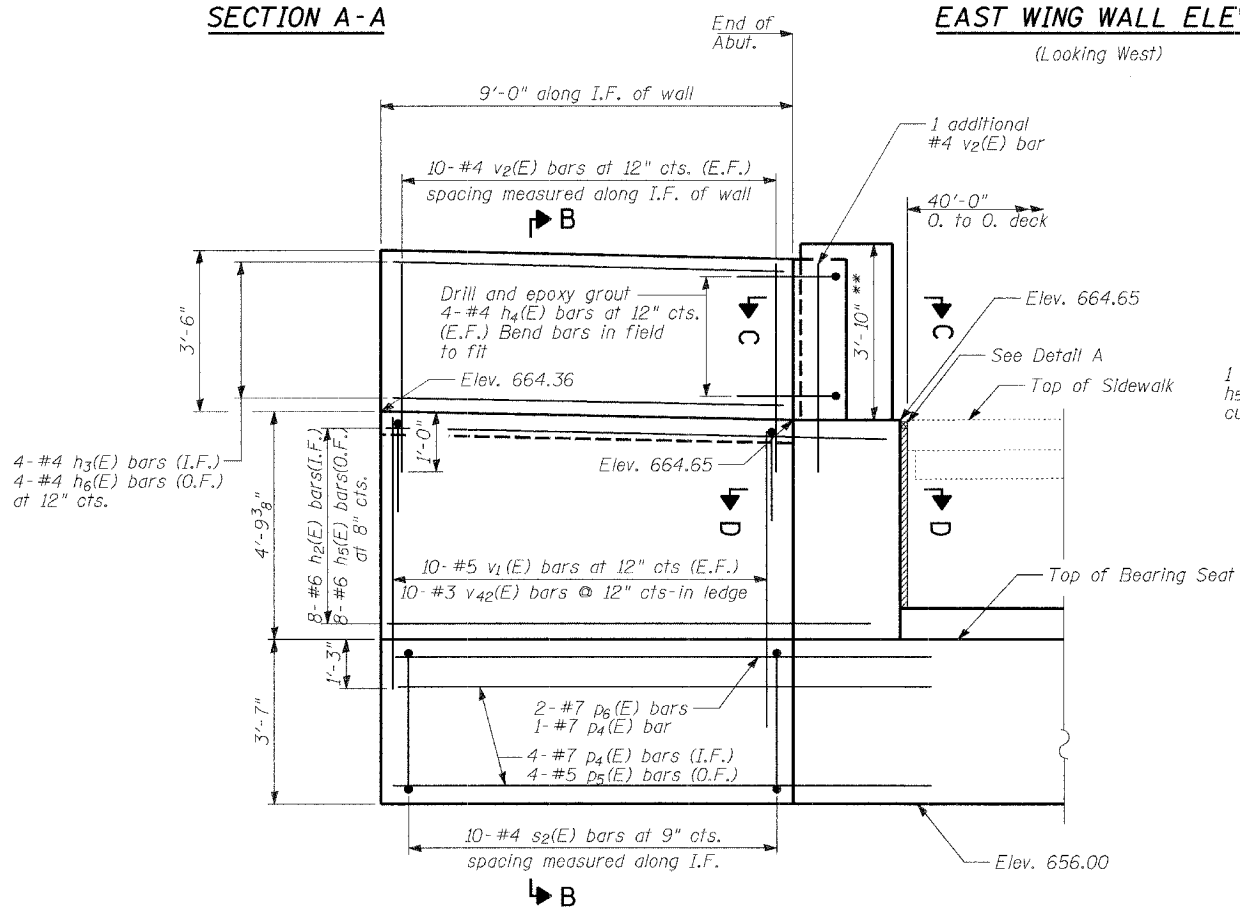
**PREFORMED JOINT SEAL**  
NTS



**SECTION D-D**

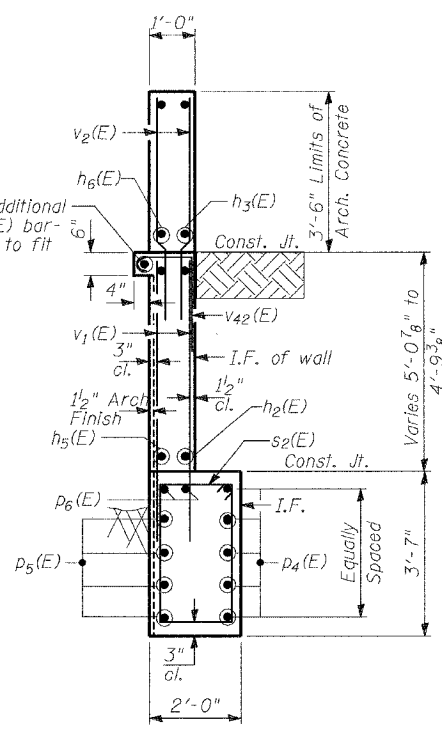
**NOTES**  
For Architectural finish, see Sheet 26.

**SECTION A-A**



**WEST WING WALL ELEVATION**  
(Looking Northwest)

\*\* Limits of Architectural Concrete



**SECTION B-B**

TYLIN INTERNATIONAL

DESIGNED	- SP
CHECKED	- AD
DRAWN	- SP
CHECKED	- PF

DATE: 02-23-2005

**SOUTH ABUTMENT DETAILS**

MOFFETT ROAD OVER  
DRAINAGE RAVINE  
FAU 2758  
LAKE COUNTY  
S.N. 049-6803