

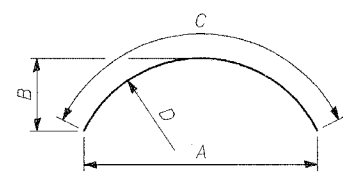
STATE OF ILLINOIS
DEPARTMENT OF TRANSPORTATION

ROUTE NO.	SECTION	COUNTY	TOTAL SHEETS	SHEET NO.
2758	*	LAKE	40	37
PROJ. ROAD DIST. NO.	ILLINOIS	FED. AID PROJECT-		

SHEET NO. - 27
30 - SHEETS
CONTRACT 83790
02-00025-00-BR

Bar	A	B	C	D
h ₄₁ (E)	5'-1 ⁵ / ₈ "	1'-4 ¹ / ₄ "	6'-0"	R=3'-2"
h ₄₂ (E)	6'-3 ¹ / ₈ "	1'-8"	7'-4"	R=3'-10"
h ₄₃ (E)	5'-1 ⁵ / ₈ "	1'-4 ¹ / ₄ "	6'-0"	R=3'-2"
h ₄₄ (E)	6'-3 ¹ / ₈ "	1'-8"	7'-4"	R=3'-10"
w ₄₃ (E)	9'-6"	2'-7 ¹ / ₈ "	11'-2"	R=5'-9"

CURVED BAR TABLE



CURVED BAR DIAGRAM

BAR n₄₀(E)

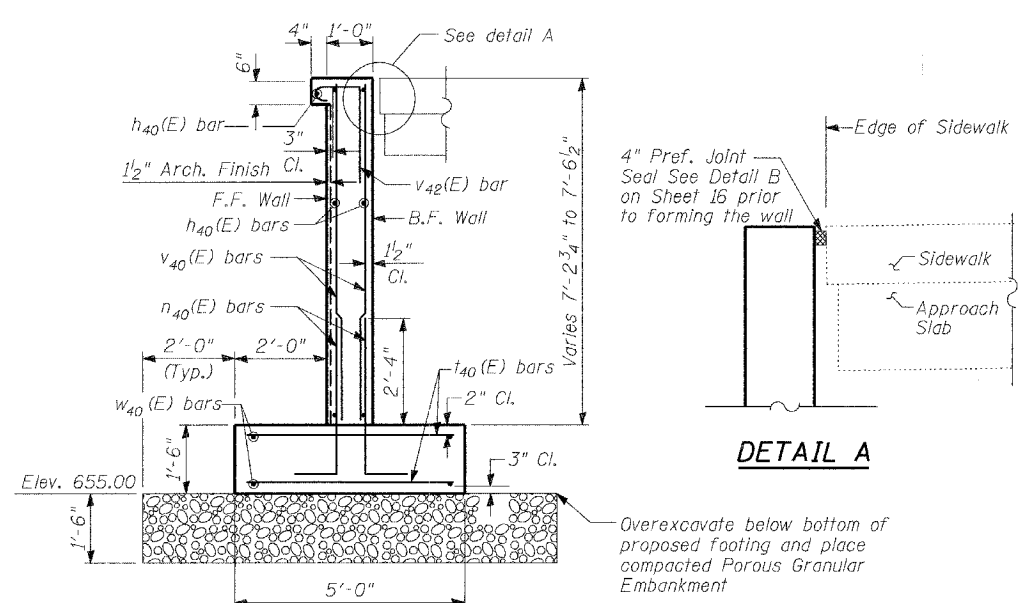
BAR v₄₂(E)

BILL OF MATERIAL

Bar	No.	Size	Length	Shape
h ₄₀ (E)	17	#5	13'-2"	—
h ₄₁ (E)	8	#5	6'-0"	—
h ₄₂ (E)	7	#5	7'-4"	—
h ₄₃ (E)	4	#4	6'-0"	—
h ₄₄ (E)	4	#4	7'-4"	—
n ₄₀ (E)	44	#5	4'-4"	—
t ₄₀ (E)	28	#5	4'-8"	—
t ₄₁ (E)	24	#5	5'-0"	—
v ₂ (E)	16	#4	4'-4"	—
v ₄₀ (E)	28	#5	7'-2"	—
v ₄₁ (E)	16	#5	6'-1"	—
v ₄₂ (E)	21	#3	3'-8"	—
w ₄₀ (E)	10	#5	13'-2"	—
w ₄₁ (E)	4	#5	10'-9"	—
w ₄₂ (E)	4	#5	8'-2"	—
w ₄₃ (E)	2	#5	11'-2"	—

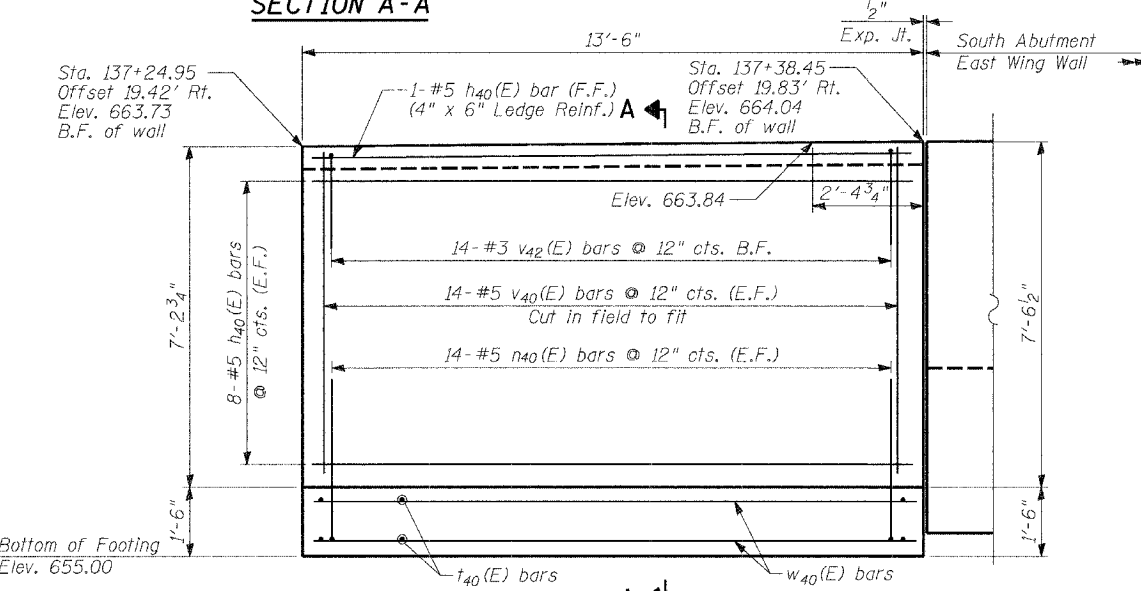
Concrete Structures, Special Cu Yd 11.1
Architectural Concrete Cu Yd 0.8
Reinforcement Bars, Epoxy Coated Pounds 1460
Structure Excavation Cu Yd 66
Porous Granular Embankment Cu Yd 44

Reinforcement bars designated (E) shall be epoxy coated.

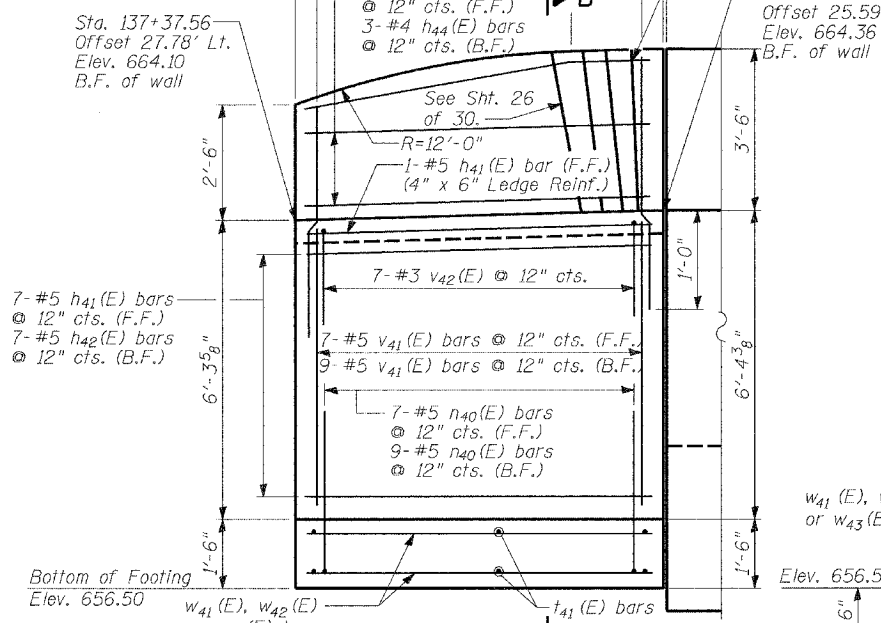


SECTION A-A

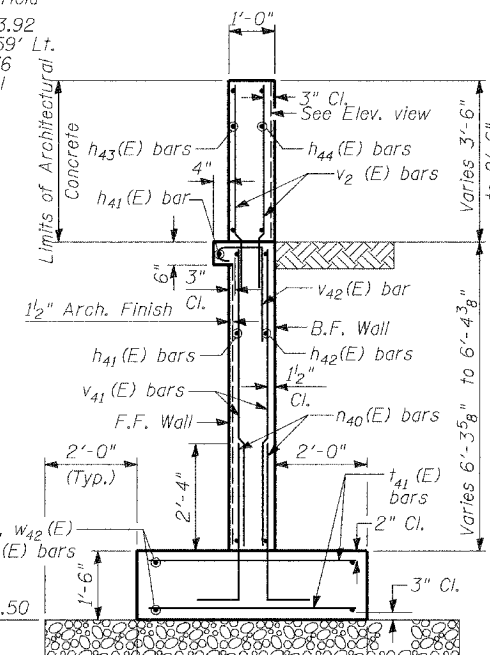
DETAIL A



ELEVATION OF SOUTHEAST WALL

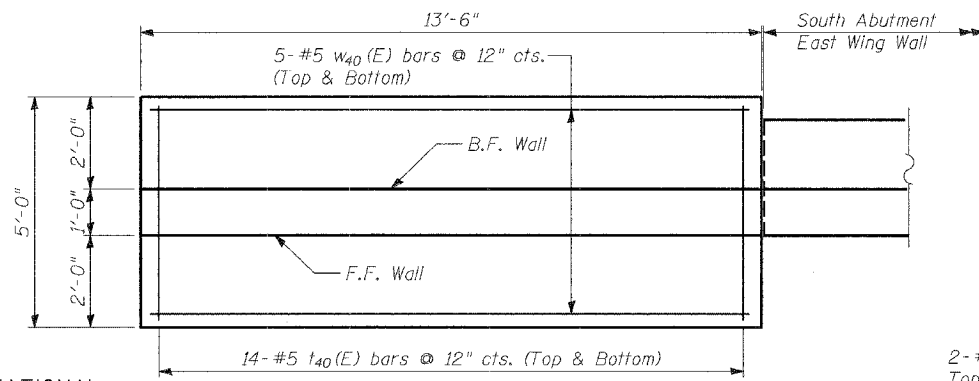


ELEVATION OF SOUTHWEST WALL

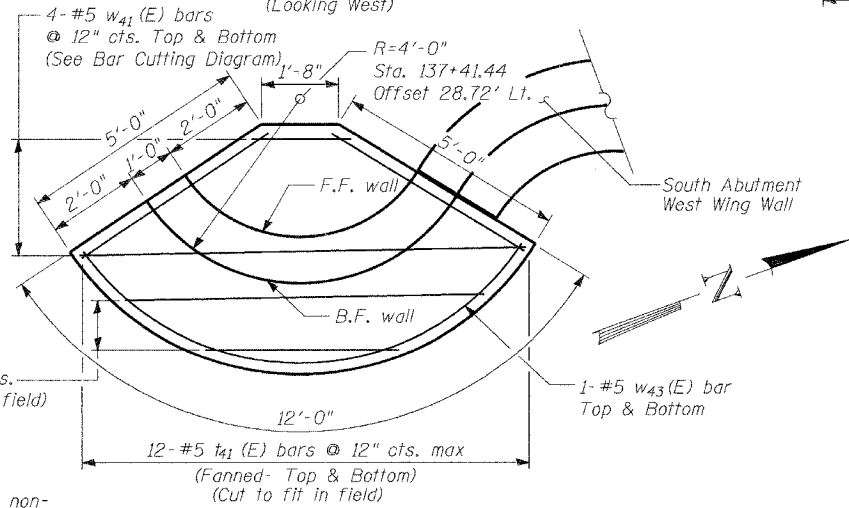


SECTION B-B

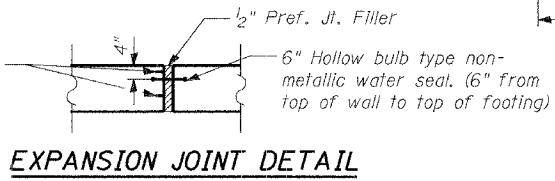
BAR w₄₁(E)
BAR CUTTING DIAGRAM



PLAN OF SOUTHEAST WALL



PLAN OF SOUTHWEST WALL



EXPANSION JOINT DETAIL

- NOTES:
- Stations and offsets for the Southeast and Southwest Walls are taken at the Back Face of wall.
 - For Architectural Finish, See Sheet 26 of 30.

SOUTH ABUTMENT RETAINING WALLS

MOFFETT ROAD OVER
DRAINAGE RAVINE
FAU 2758
LAKE COUNTY
S.N. 049-6803

TYLIN INTERNATIONAL

DESIGNED	- SP
CHECKED	- AD
DRAWN	- DE
CHECKED	- PF

DATE: 02-23-2005